



North/Latin America
Europe/Africa
Asia/Oceania

With Bookmarks

<http://aic.lgservice.com>
<http://eic.lgservice.com>
<http://biz.lgservice.com>

PLASMA TV

Schematics and Exploded View

CHASSIS : PU11A

MODEL : 42PW340

42PW340-UB

42PW350

42PW350-UA/UE

42PW350U

42PW350U-UC

CAUTION

BEFORE SERVICING THE CHASSIS,
READ THE SAFETY PRECAUTIONS IN THIS MANUAL.



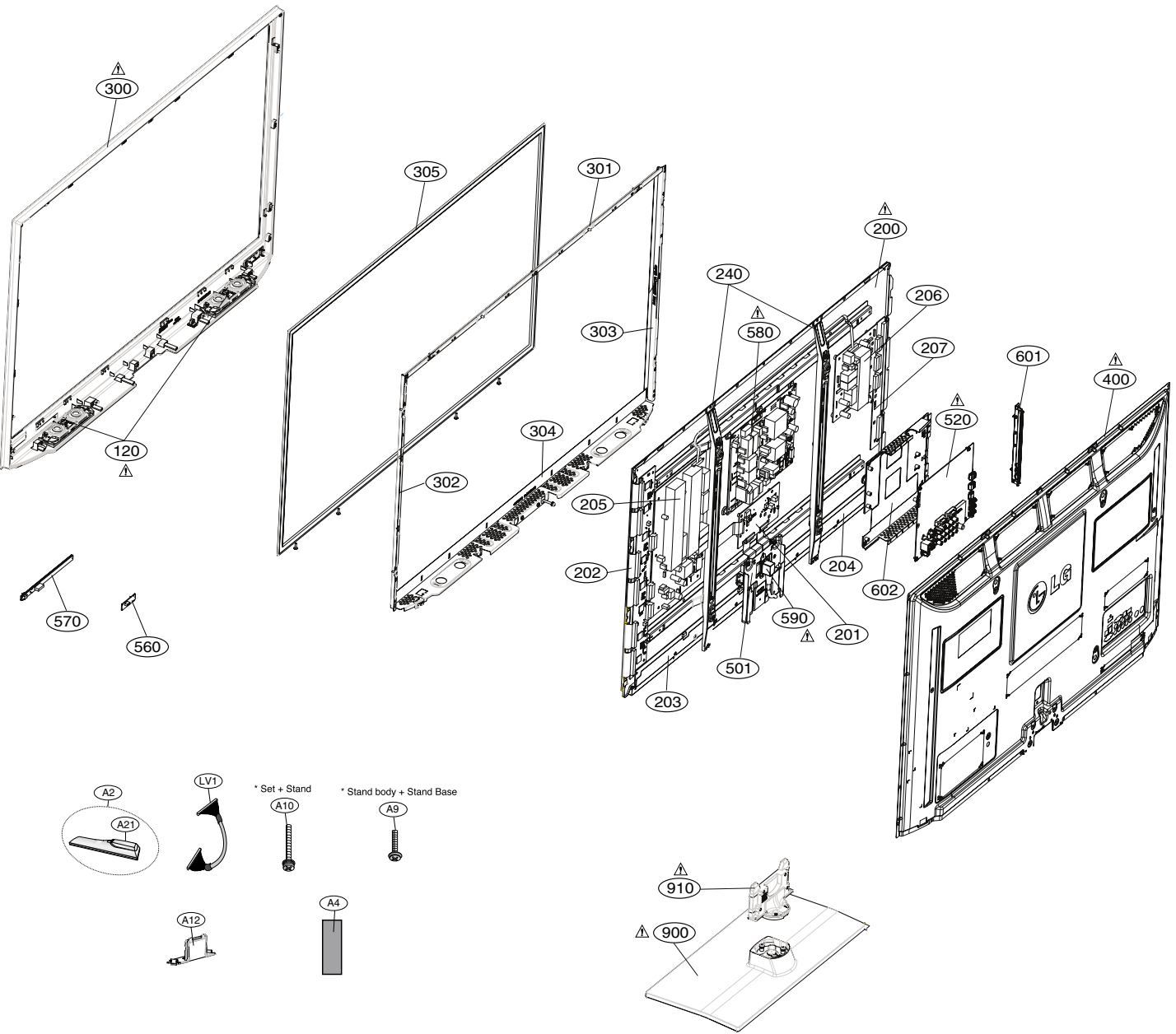
P/NO : MFL66306601(1106-REV01)

Printed in Korea

EXPLODED VIEW

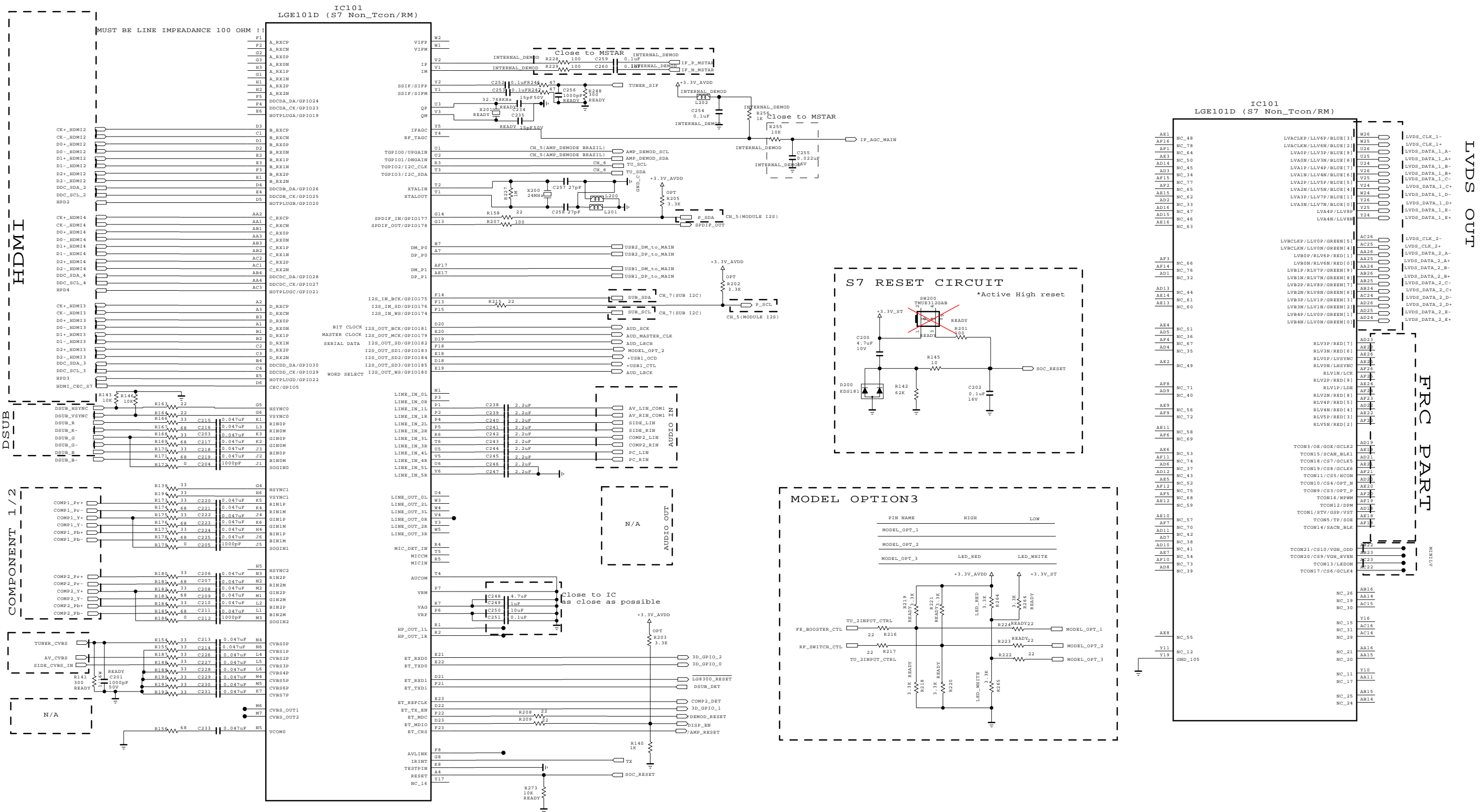
IMPORTANT SAFETY NOTICE

Many electrical and mechanical parts in this chassis have special safety-related characteristics. These parts are identified by Δ in the Schematic Diagram and EXPLODED VIEW. It is essential that these special safety parts should be replaced with the same components as recommended in this manual to prevent X-RADIATION, Shock, Fire, or other Hazards. Do not modify the original design without permission of manufacturer.



42PW350 EXPLODED PARTS LIST

Loc No	Part No	Description(Local)	Specification
120	EAB62028901	Speaker,Full Range	G153 ND 10W 80HM 80DB 120HZ 150x35x22 CONNECTOR EMSONIC CORPORATION
200	EAJ61527706	PDP,Module-XGA	PDP42T30000.ASLGB XGA 42INCH 1024X768 16/9 LG ELECTRONICS INC.
200	EAJ61527743	42 Inch_XGA PDP Module	PDP42T30000.ASLGM XGA 42INCH 1024X768 16/9 LG ELECTRONICS INC.
201	EBR71200701	Hand Insert PCB Assembly	CTRL ASS'Y HAND INSERT 42"HD T3 for 3D Display
202	EBR68288401	Hand Insert PCB Assembly	YDRV ASS'Y HAND INSERT 42" T3
203	EBR68019901	Hand Insert PCB Assembly	XRLB ASSY HAND INSERT 42" T3
204	EBR68020001	Hand Insert PCB Assembly	XRRB ASSY HAND INSERT 42" T3
205	EBR68341901	Hand Insert PCB Assembly	YSUS ASS'Y HAND INSERT 42" T3
206	EBR68342001	Hand Insert PCB Assembly	ZSUS ASS'Y HAND INSERT 42" T3
207	EBR68342501	Hand Insert PCB Assembly	ZSUS SUB ASS'Y HAND INSERT 42" T3
240	AJJ73298403	Supporter Assembly	Supp.Module Vertical Assy 42PW2/3/5 LGERS local phantom
300	ABJ73267213	Cabinet Assembly	42PW350-UE NON 42" 42PW350-UE CABINET ASSY LGERS LOCAL PHANTOM
301	AJJ73238403	Supporter Assembly	42PV250/350/550 Supp. Filter Top assy LGERS LOCAL PHANTOM
302	AJJ73238606	Supporter Assembly	42PV250/350/550 Supp. Filter Side L Assy LGERS local phantom
303	AJJ73238605	Supporter Assembly	42PV250/350/550 Supp. Filter Side R Assy LGERS local phantom
304	AJJ73238505	Supporter Assembly	42PV250/350/550 Supp. Filter Bot Assy LGERS local phantom
305	MDJ63005001	Filter	CUTTING GLASS GLASS FILTER 42PT&PW20/30/40/50 EMI-less BC AR-less HD 2D&3D LGC
400	ACQ83488511	Cover Assembly,Rear	42PV550 NON 42" 42PV550 BACK COVER ASSY GP2R North America LGERS local phantom
501	MJH62355101	Supporter	PRESS EGI 1.2 Supporter EGI 42PW2/3/4/5 LGERS Local Stand Guide
520	EBR72942901	PCB Assembly AUSLLJR	MAIN Board PU11A 42PW350/340-UA
520	EBT61267425	DMS Chassis Assembly AUSLLHR	MAIN PU11A 42PW350-UA Main total assy CKD (N.America)
560	EBR72499601	PCB Assembly,RF	Motion Remote Receiver + 3D Emitter Assy.
570	EBR72650101	PCB Assembly,Sub	IR/Soft Touch Key Assembly
580	EAY62170901	SMPS,AC/DC	PSPFL-L011A / PS-6271-3-LF 100VTO240V 265W 50 To 60 Hz UL/CB/TUV - LG Innotech Co., LTD.
590	EAM62090705	Filter,AC Line	IFA-E06DEW1 5.3mH/23uH 250VAC 5A 0.33uF 1000pF YH396-02M(RD),450mm LEAD WIRE BK
601	ABA73488807	Bracket Assembly	BRACKET 11 Year PDP Model NON Side AV Bracket Small Assy GP2R ATSC N.America with SKD
602	MGJ62886302	Plate,Metal	PRESS EGI 0.6 SHIELD EGI LGERS Local Sustain Shield Small GP2R ATSC
900	AAN73488705	Base Assembly	STAND 42PV550 NON 42PV550 STAND ASSY LGERS LOCAL PHANTOM
910	MJH62233402	Supporter	MOLD GLASS FIBER Supporter FIBER 42PV250/350/550 STAND SUPPORTER TOP with SKD
A1	MFL62882741	Manual,Owners	PRINTING USER PU11A LG PW340/350-U EN (1) US
A2	AKB72914273	Remote Controller Assembly	PDP S-Con North America GP2R 3D
A3	EAD60817901	Power Cord	PH8B2EDGY0A-051 LP-30B LS-13L 1.55M 125V 10A SVT 18AWG 3C Black. UL/CSA N Longwell Co.
A4	MAF60779001	Bag,Vinyl	COMPLEX ACCESORY 150*150 0.41t cloth cleaner
A6	6210VH0004A	FILTER(CIRC),EMC	6210VH0004A 100OHM 30MM 13MM 34MM RING BK FEELUX CO.,LTD
A7	6210VH0001A	Filter,Ferrite Core	6210VH0001A 50OHM 25MM 9MM 32MM RING BK FEELUX CO.,LTD
A9	FAB30016616	Screw Assembly	Machine Type D5.0 L14.0 Plain Washer (D:10, T:1.0)
A10	FAB30016424	Screw Assembly	Machine Type D4.0 L26.0 Washer1 (D:8.0 , T:0.8) , Washer2 (D:7.0 , T:1.0),
A12	MCK65832102	Cover	MOLD ABS 50PW9 ABS ADDITIONAL COVER 50PW9 SKD
A14	6210VH0004A	FILTER(CIRC),EMC AUSLLJR	6210VH0004A 100OHM 30MM 13MM 34MM RING BK FEELUX CO.,LTD
A15	6210VH0001A	Filter,Ferrite Core AUSLLJR	6210VH0001A 50OHM 25MM 9MM 32MM RING BK FEELUX CO.,LTD
A21	MCK62976101	Cover,Rear	MOLD ABS S-con ABS S-con Battery cover

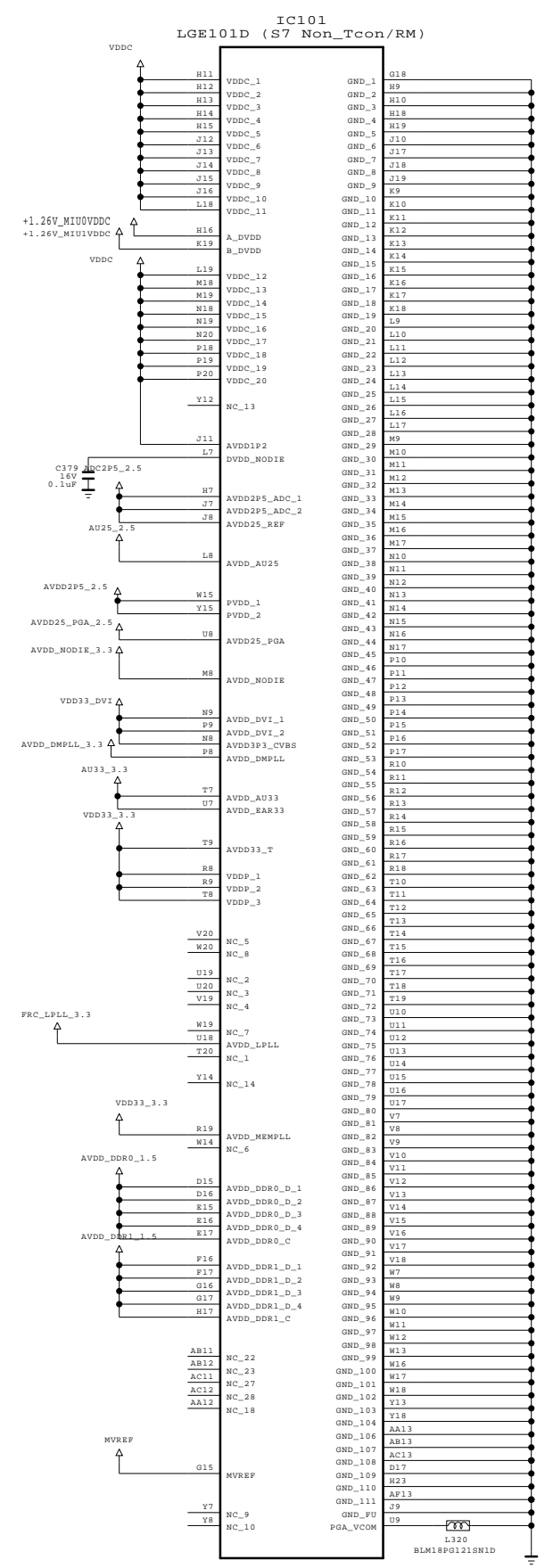
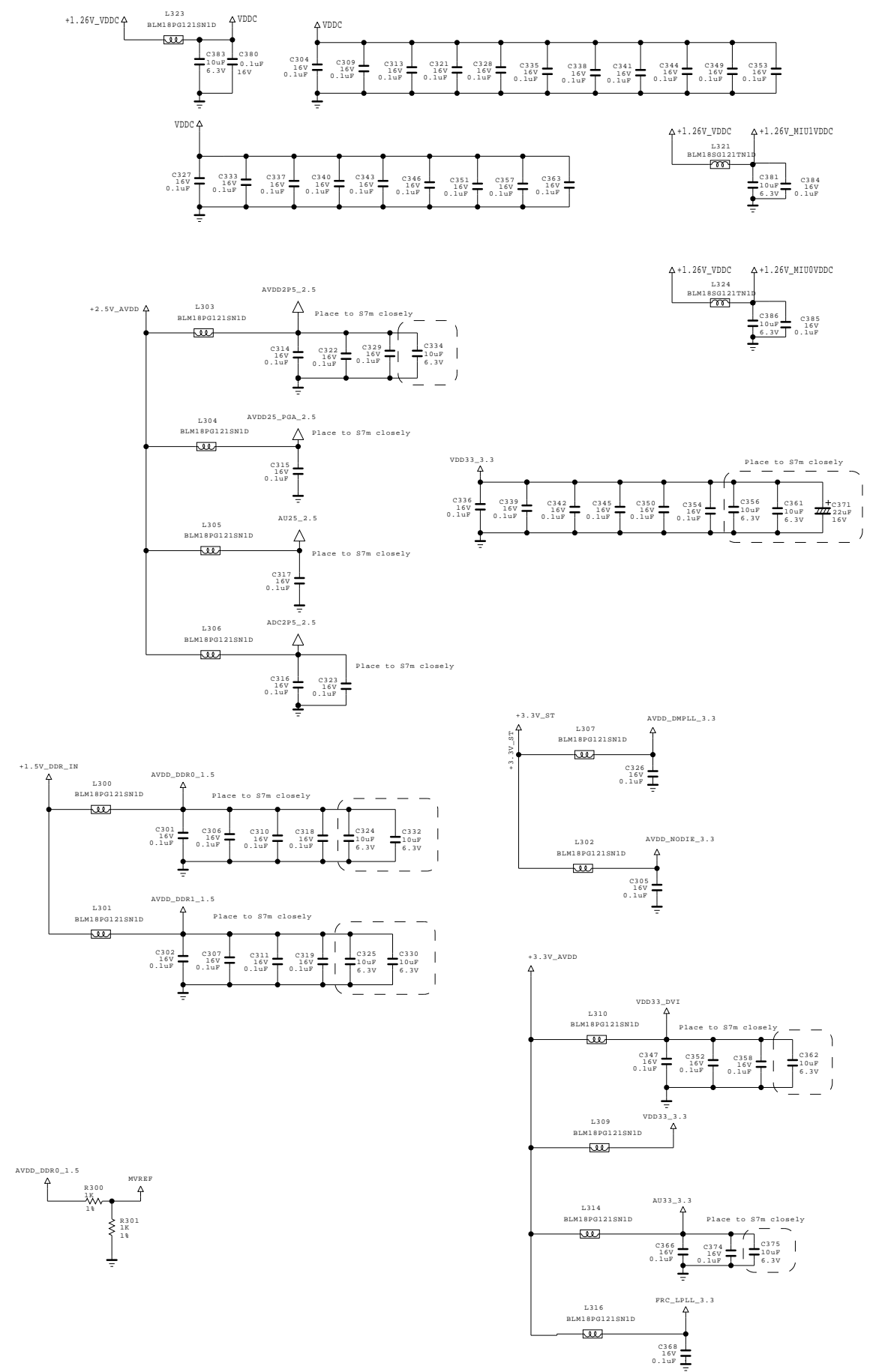


THE Δ SYMBOL MARK OF THIS SCHEMATIC DIAGRAM INCORPORATES SPECIAL FEATURES IMPORTANT FOR PROTECTION FROM X-RADIATION. FILRE AND ELECTRICAL SHOCK HAZARDS, WHEN SERVICING IF IS ESSENTIAL THAT ONLY MANUFACTURES SPECIFIED PARTS BE USED FOR THE CRITICAL COMPONENTS IN THE Δ SYMBOL MARK OF THE SCHEMATIC.

SECRET
LG Electronics

LG ELECTRONICS

MODEL	EAX63425901 (8)	DATE	2010.09.13
BLOCK	· · 里 · · 留 · · 廣	SHEET	2 / 14



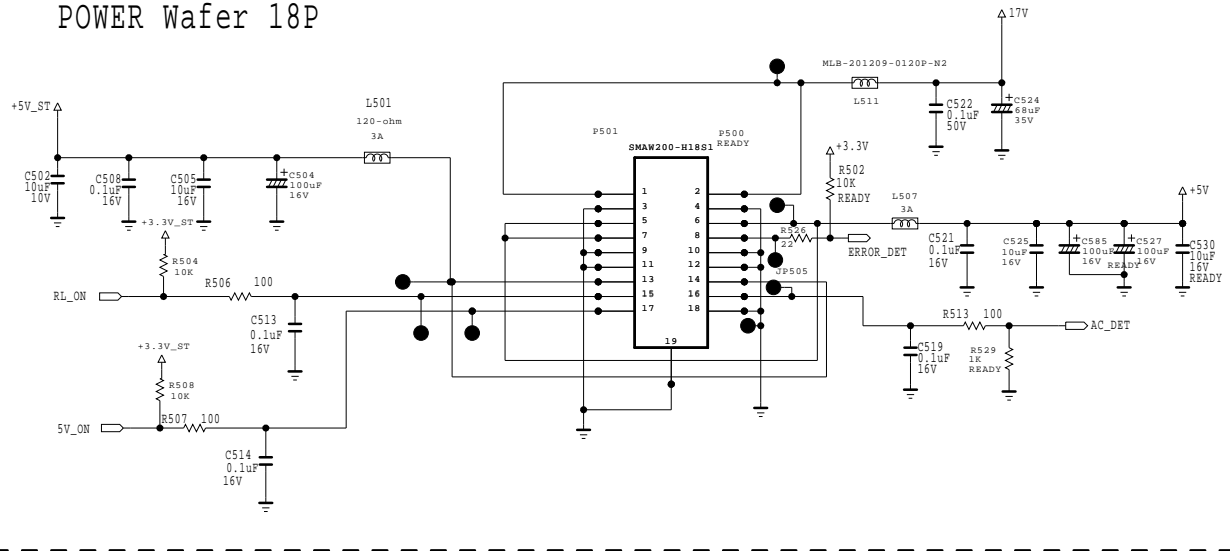
THE SYMBOL MARK OF THIS SCHEMATIC DIAGRAM INCORPORATES SPECIAL FEATURES IMPORTANT FOR PROTECTION FROM X-RADIATION. FILRE AND ELECTRICAL SHOCK HAZARDS, WHEN SERVICING IF IS ESSENTIAL THAT ONLY MANUFACTURES SPECIFIED PARTS BE USED FOR THE CRITICAL COMPONENTS IN THE SYMBOL MARK OF THE SCHEMATIC.

SECRET
LGElectronics

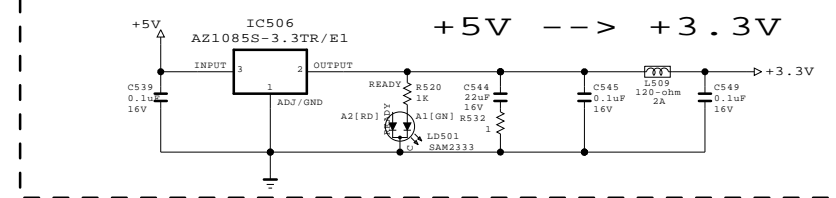
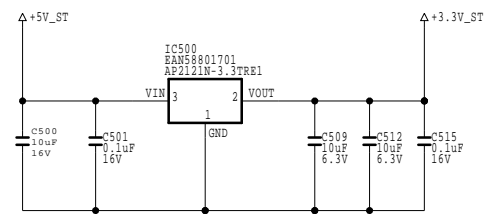


MODEL	EAX63425901(8)	DATE	2010.09.13
BLOCK	Main IC Power	SHEET	3 / 13

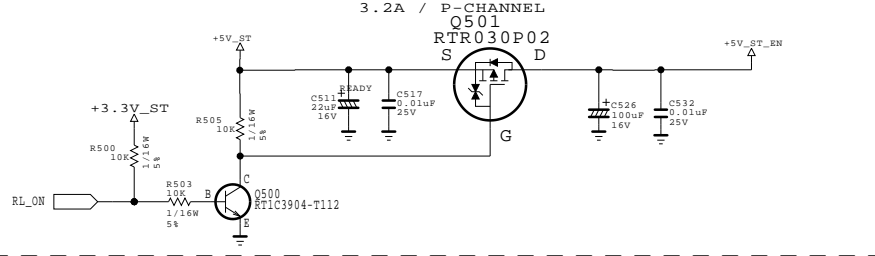
POWER Wafer 18P



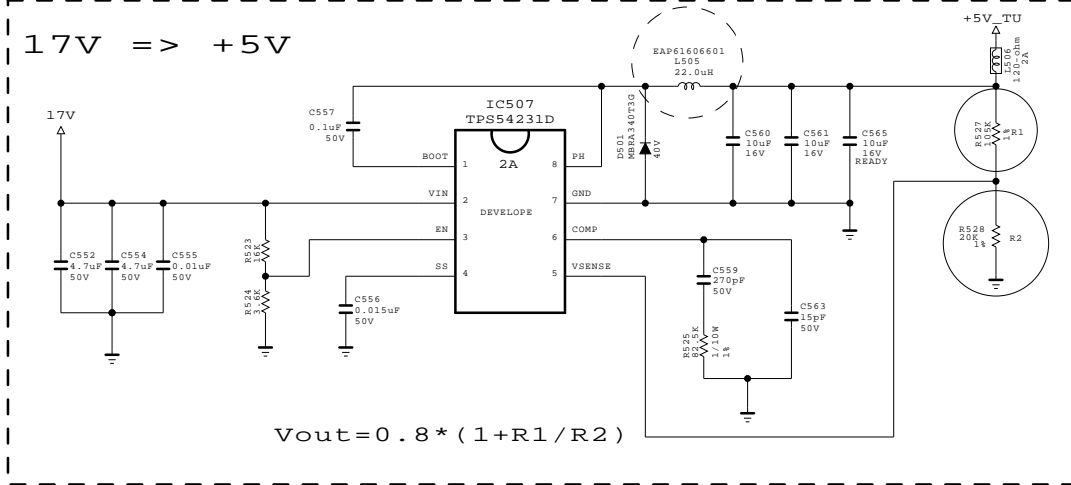
Stand-by (5V_ST --> +3.3V ST)



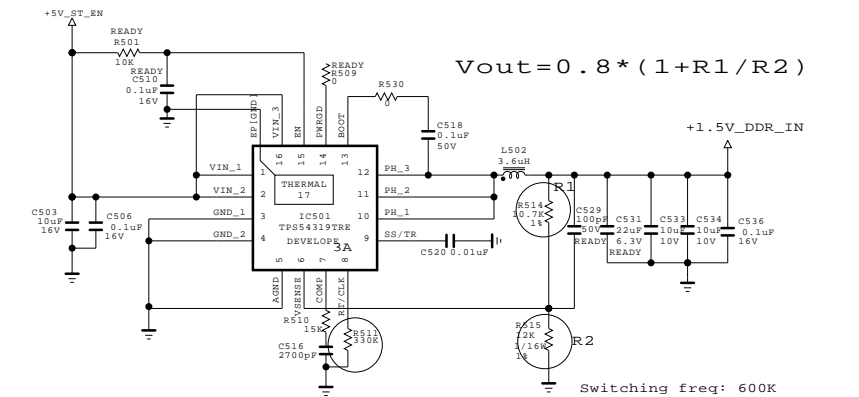
P_CH FET (+5V_ST_EN Source)



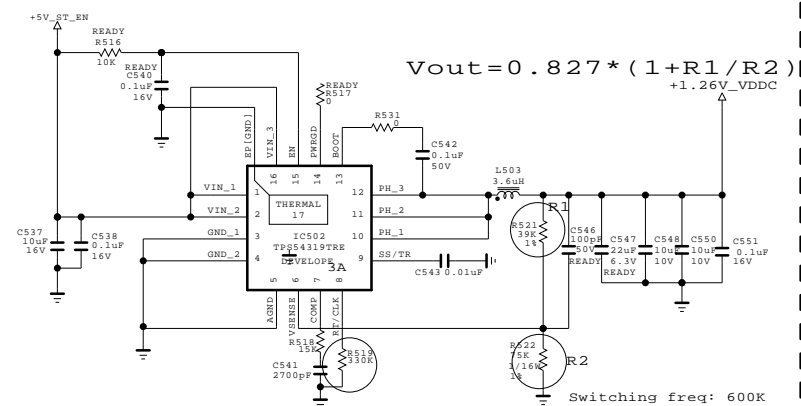
17V => +5V



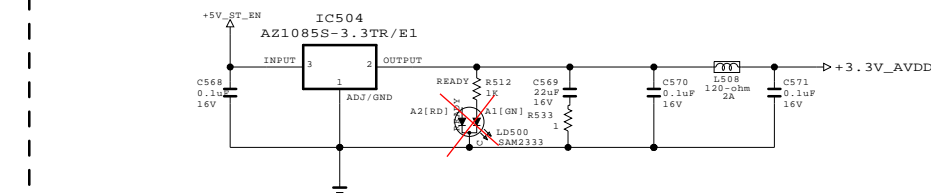
+5V_ST_EN --> +1.5V_DDR_IN



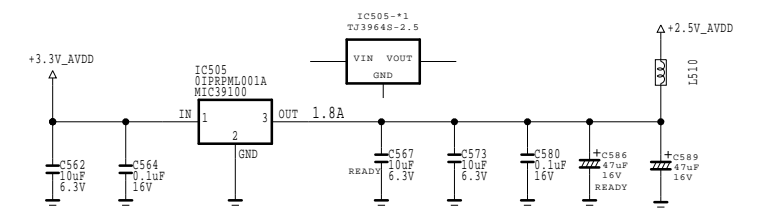
+5V_ST_EN --> +1.26V_VDDC



+5V_ST_EN --> +3.3V_AVDD



S7 core 2.5V
Multi Power (+3.3V_AVDD --> 2.5V_AVDD)



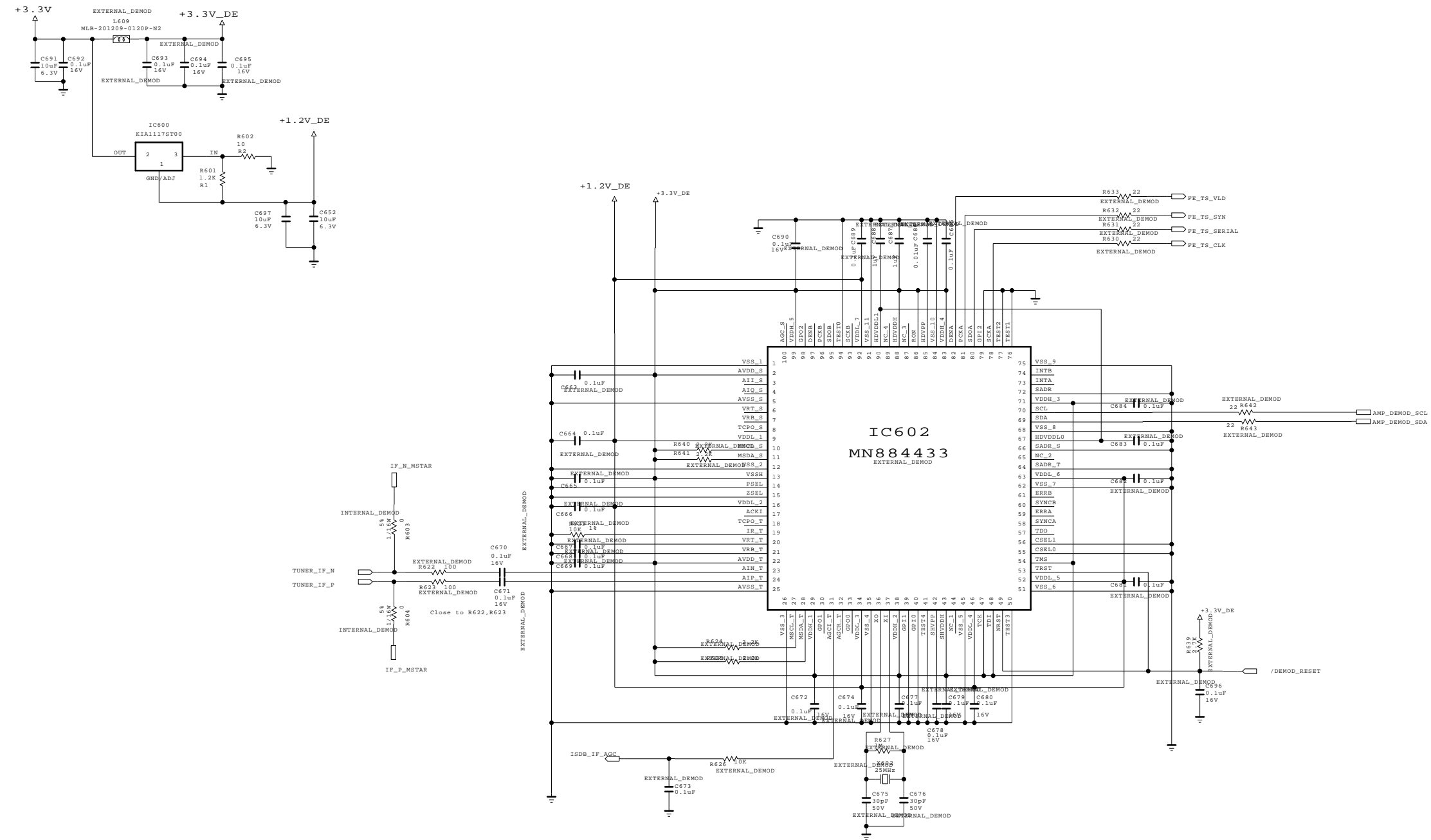
THE Δ SYMBOL MARK OF THIS SCHEMATIC DIAGRAM INCORPORATES SPECIAL FEATURES IMPORTANT FOR PROTECTION FROM X-RADIATION. FILRE AND ELECTRICAL SHOCK HAZARDS, WHEN SERVICING IF IS ESSENTIAL THAT ONLY MANUFACTURES SPECIFIED PARTS BE USED FOR THE CRITICAL COMPONENTS IN THE Δ SYMBOL MARK OF THE SCHEMATIC.

SECRET
LGElectronics

LG ELECTRONICS

MODEL	EAX63425901 (8)	DATE	2010.09.13
BLOCK	POWER	SHEET	5 / 13

BRAZIL DEMODULATOR



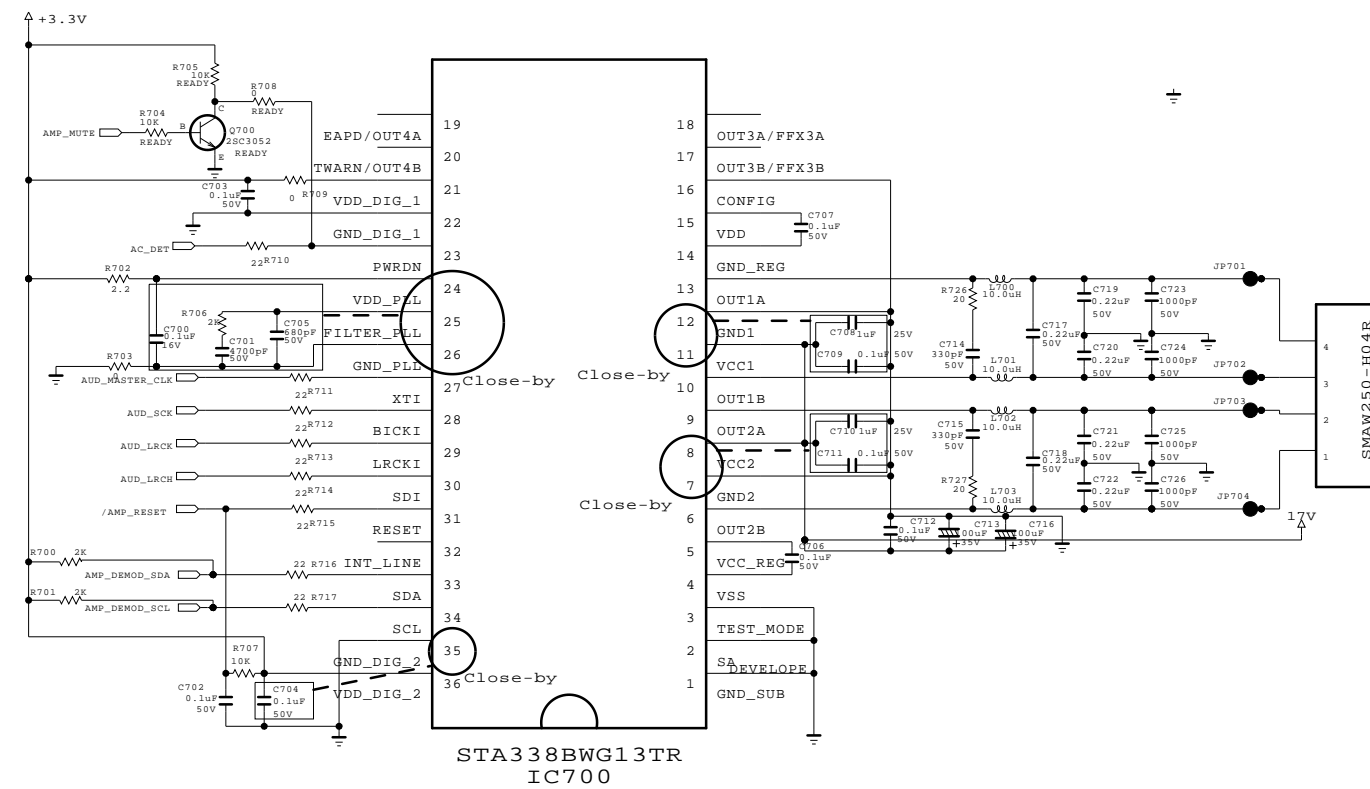
THE SYMBOL MARK OF THIS SCHEMATIC DIAGRAM INCORPORATES SPECIAL FEATURES IMPORTANT FOR PROTECTION FROM X-RADIATION. FILRE AND ELECTRICAL SHOCK HAZARDS, WHEN SERVICING IF IS ESSENTIAL THAT ONLY MANUFACTURES SPECIFIED PARTS BE USED FOR THE CRITICAL COMPONENTS IN THE SYMBOL MARK OF THE SCHEMATIC.

SECRET
LGElectronics



MODEL	EAX63425901 (8)	DATE	2010.09.14
BLOCK	BRAZIL DEMODULATOR	SHEET	6 / 14

ST Audio AMP

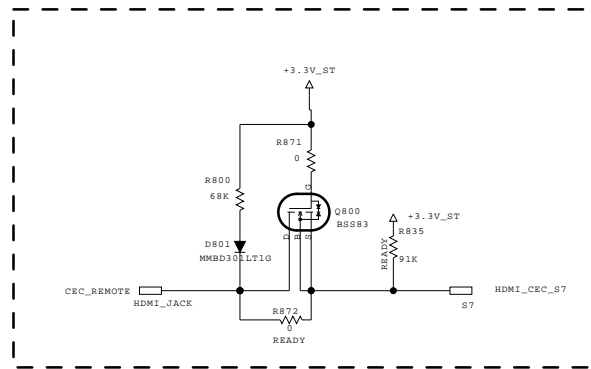


THE SYMBOL MARK OF THIS SCHEMATIC DIAGRAM INCORPORATES SPECIAL FEATURES IMPORTANT FOR PROTECTION FROM X-RADIATION. FILRE AND ELECTRICAL SHOCK HAZARDS, WHEN SERVICING IF IS ESSENTIAL THAT ONLY MANUFACTURES SPECIFIED PARTS BE USED FOR THE CRITICAL COMPONENTS IN THE SYMBOL MARK OF THE SCHEMATIC.

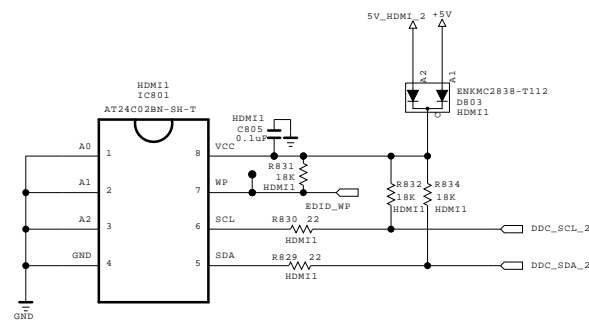
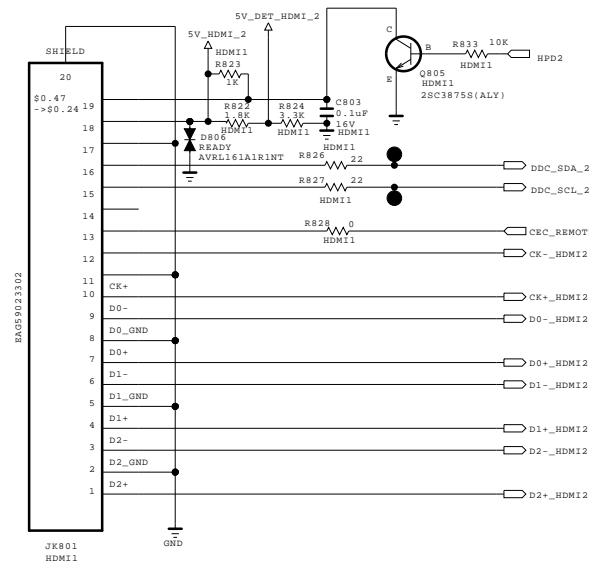
SECRET
LGElectronics



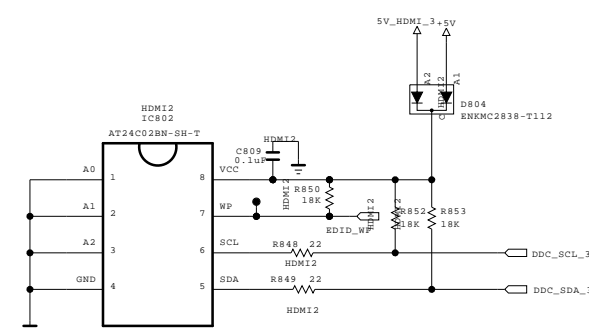
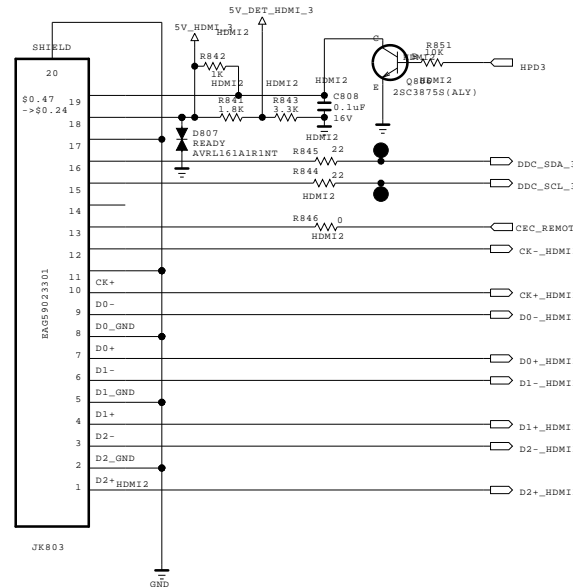
MODEL	EAX63425901 (8)	DATE	2010.09.13
BLOCK	AUDIO AMP	SHEET	7 / 14



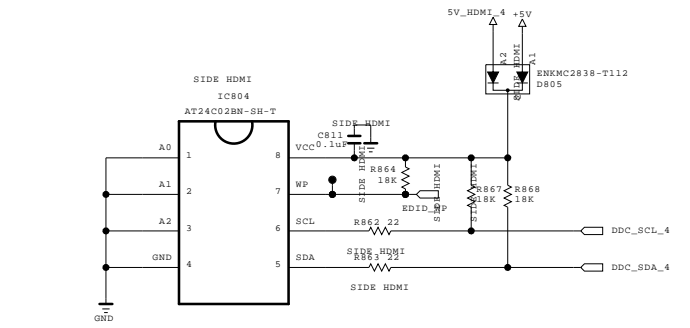
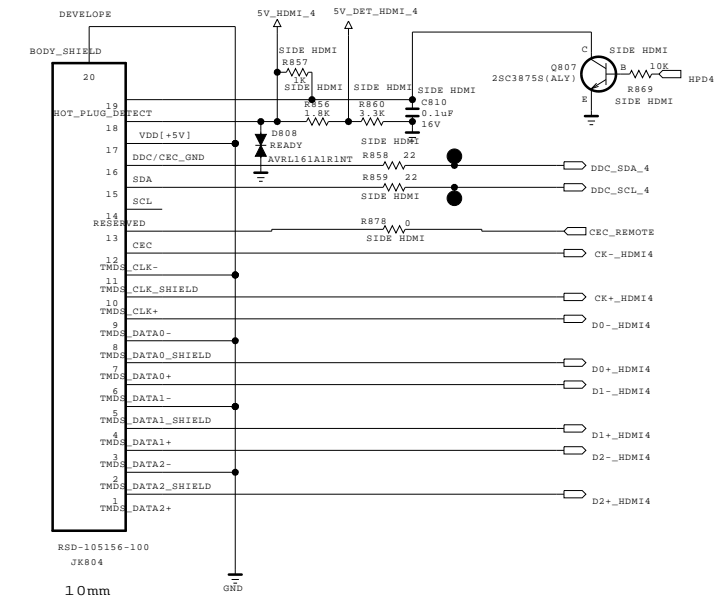
HDMI 1



HDMI 2



SIDE HDMI (SMD TYPE)

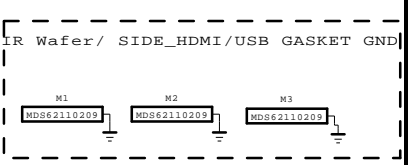
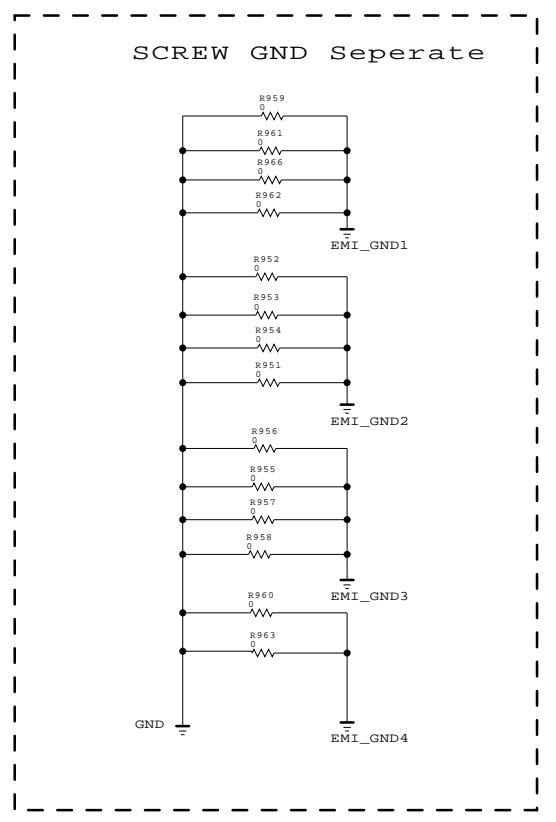
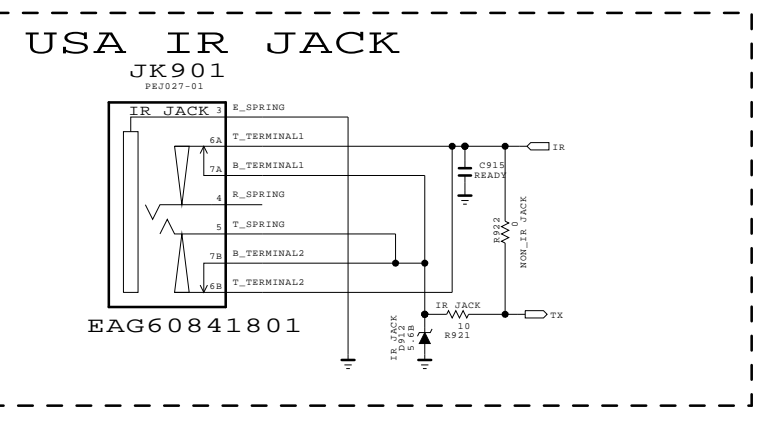
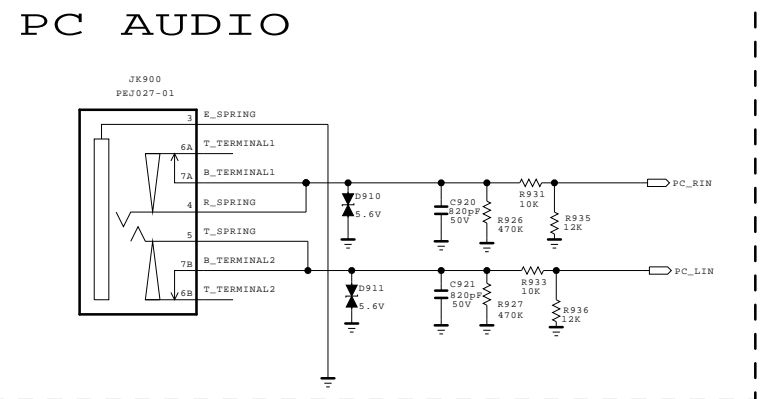
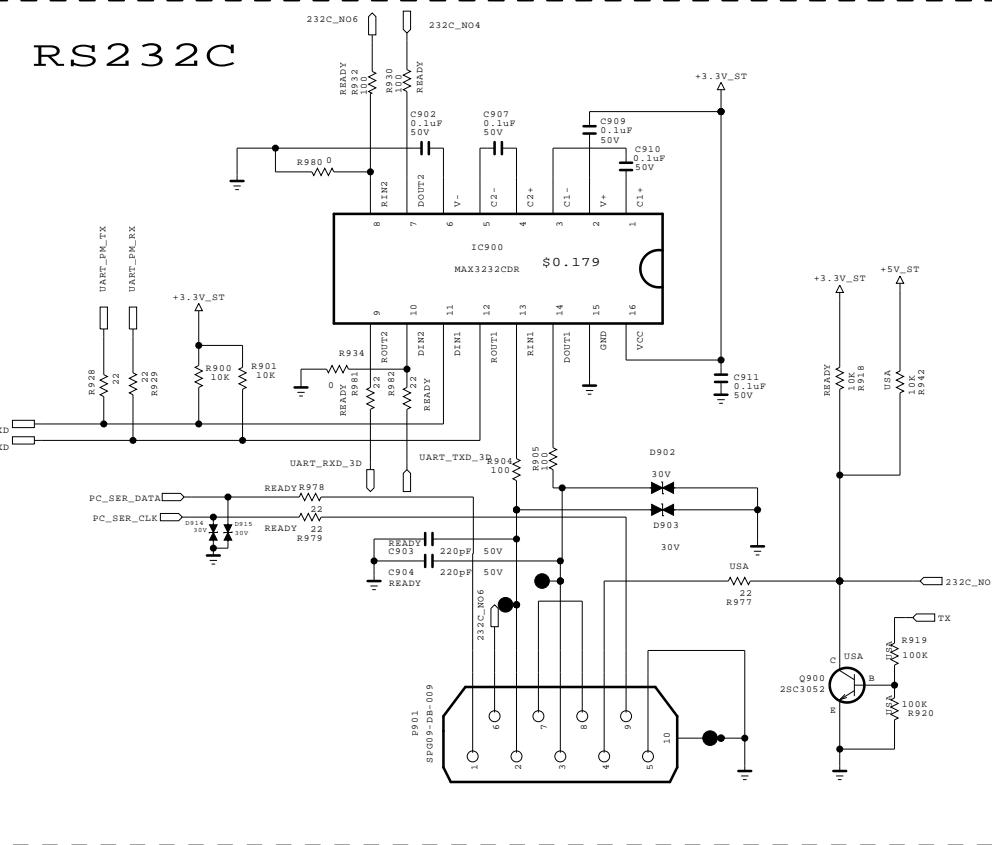
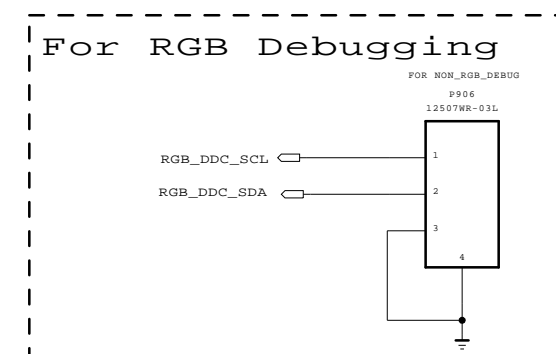
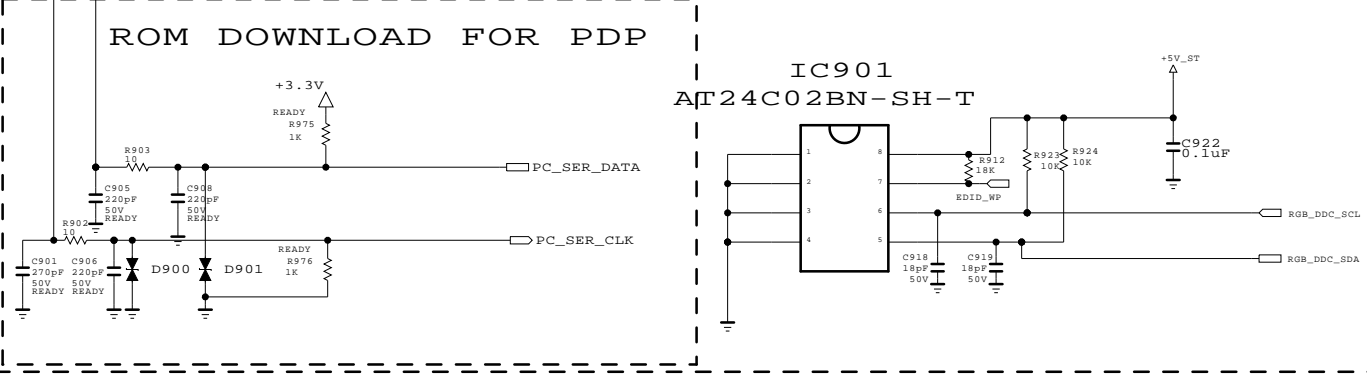
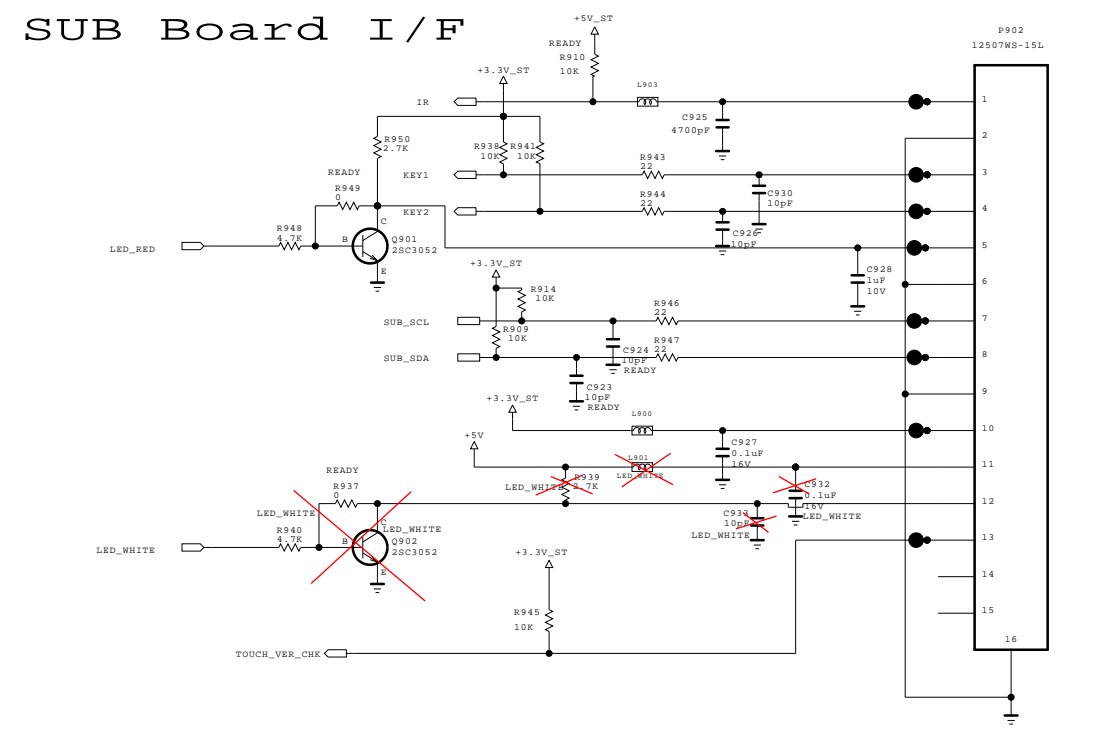
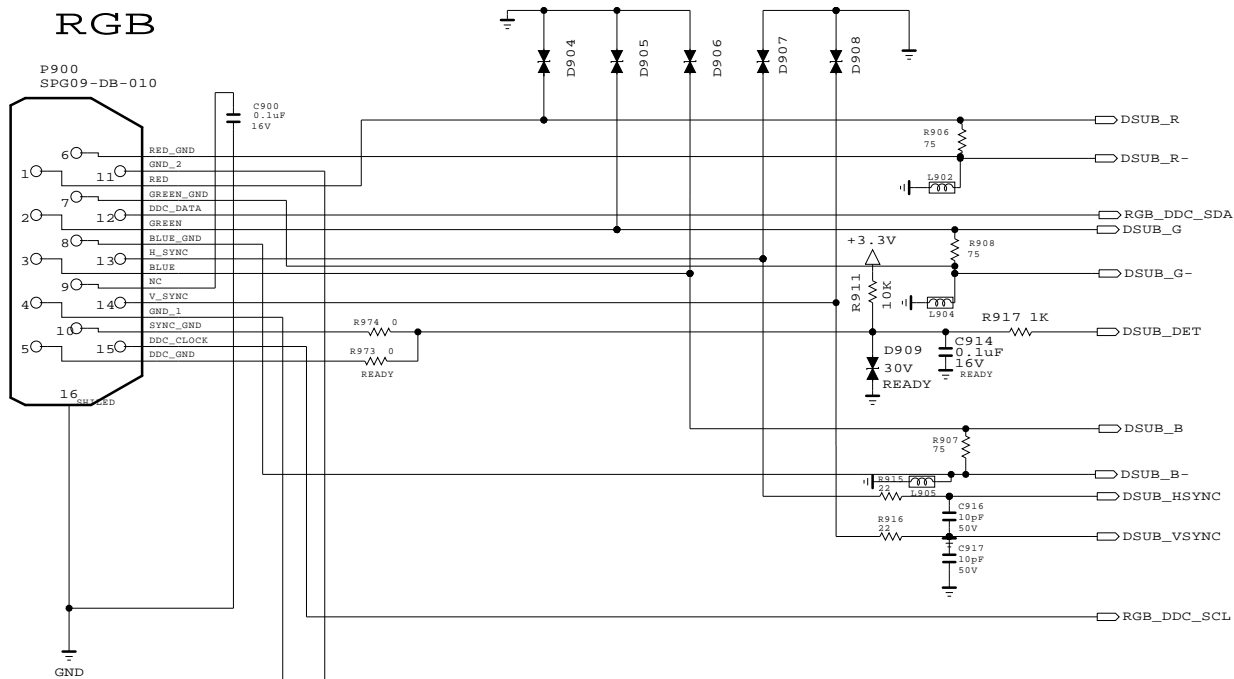


THE SYMBOL MARK OF THIS SCHEMATIC DIAGRAM INCORPORATES SPECIAL FEATURES IMPORTANT FOR PROTECTION FROM X-RADIATION. FILRE AND ELECTRICAL SHOCK HAZARDS, WHEN SERVICING IF IS ESSENTIAL THAT ONLY MANUFACTURES SPECIFIED PARTS BE USED FOR THE CRITICAL COMPONENTS IN THE SYMBOL MARK OF THE SCHEMATIC.

SECRET
LGElectronics



MODEL	EAX63425901 (8)	DATE	2010.09.13
BLOCK	HDMI	SHEET	8 / 14



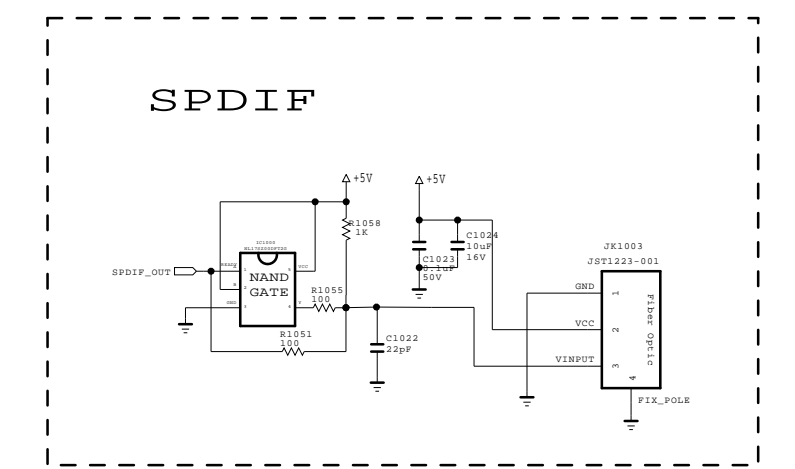
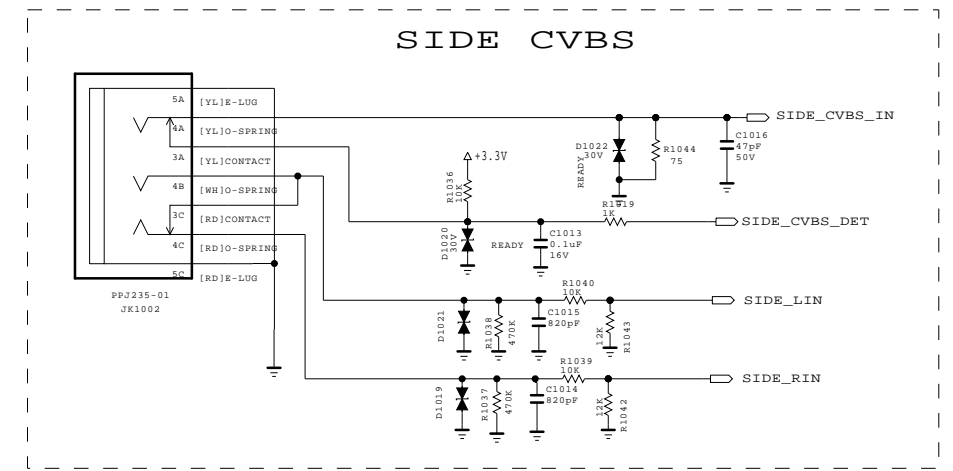
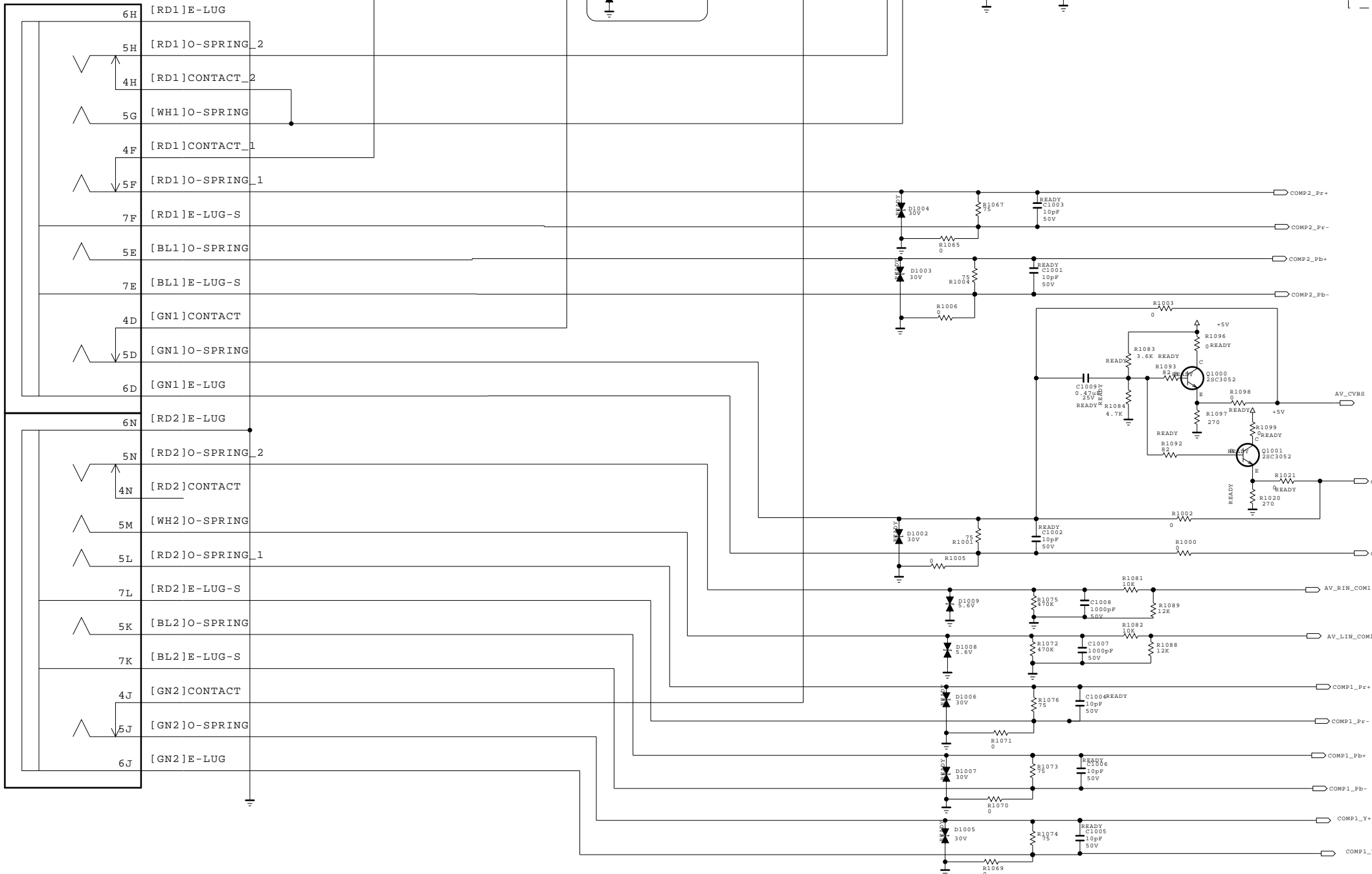
THE SYMBOL MARK OF THIS SCHEMATIC DIAGRAM INCORPORATES SPECIAL FEATURES IMPORTANT FOR PROTECTION FROM X-RADIATION. FILRE AND ELECTRICAL SHOCK HAZARDS, WHEN SERVICING IF IS ESSENTIAL THAT ONLY MANUFACTURES SPECIFIED PARTS BE USED FOR THE CRITICAL COMPONENTS IN THE SYMBOL MARK OF THE SCHEMATIC.

SECRET
LGElectronics



MODEL	EAX63425901(8)	DATE	2010.09.13
BLOCK	RGB/RS232/PC/USA IR SUB IR	SHEET	9 / 14

JK1000
PPJ239-01



COMP1_DET	AV_CVBS_DET	RESULT
HIGH	HIGH	COMP1_DET
HIGH	LOW	AV_CVBS
LOW	HIGH	
LOW	LOW	

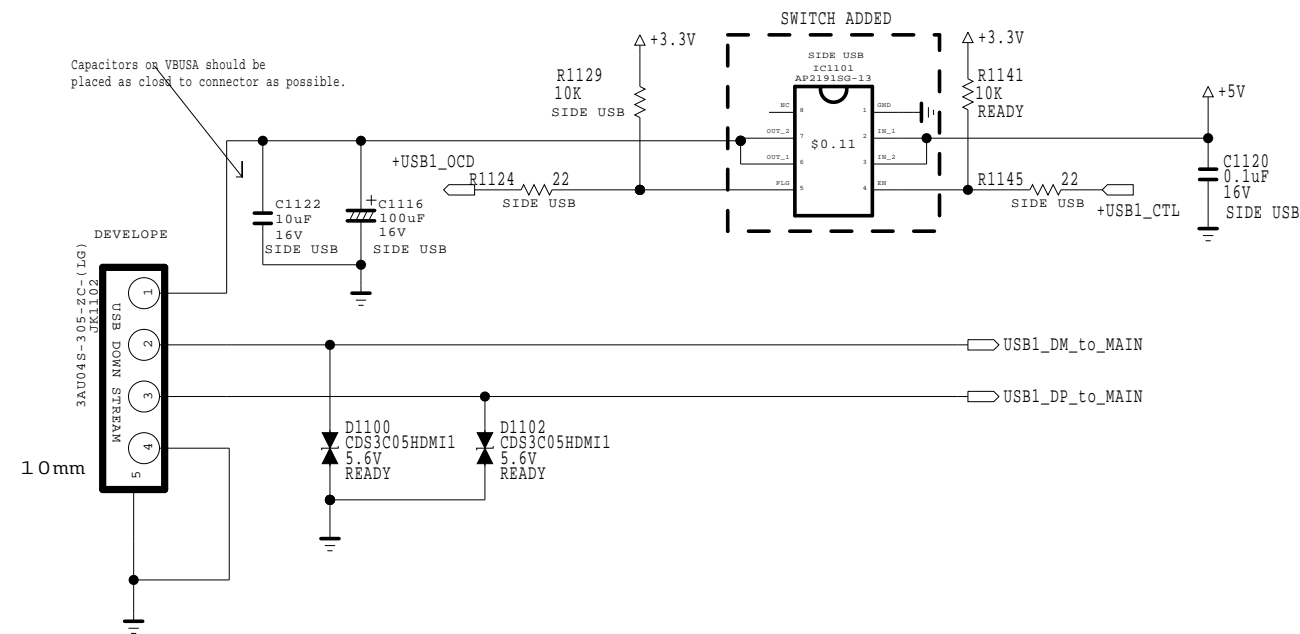
THE Δ SYMBOL MARK OF THIS SCHEMATIC DIAGRAM INCORPORATES SPECIAL FEATURES IMPORTANT FOR PROTECTION FROM X-RADIATION. FILRE AND ELECTRICAL SHOCK HAZARDS, WHEN SERVICING IF IS ESSENTIAL THAT ONLY MANUFACTURES SPECIFIED PARTS BE USED FOR THE CRITICAL COMPONENTS IN THE Δ SYMBOL MARK OF THE SCHEMATIC.

SECRET
LGElectronics

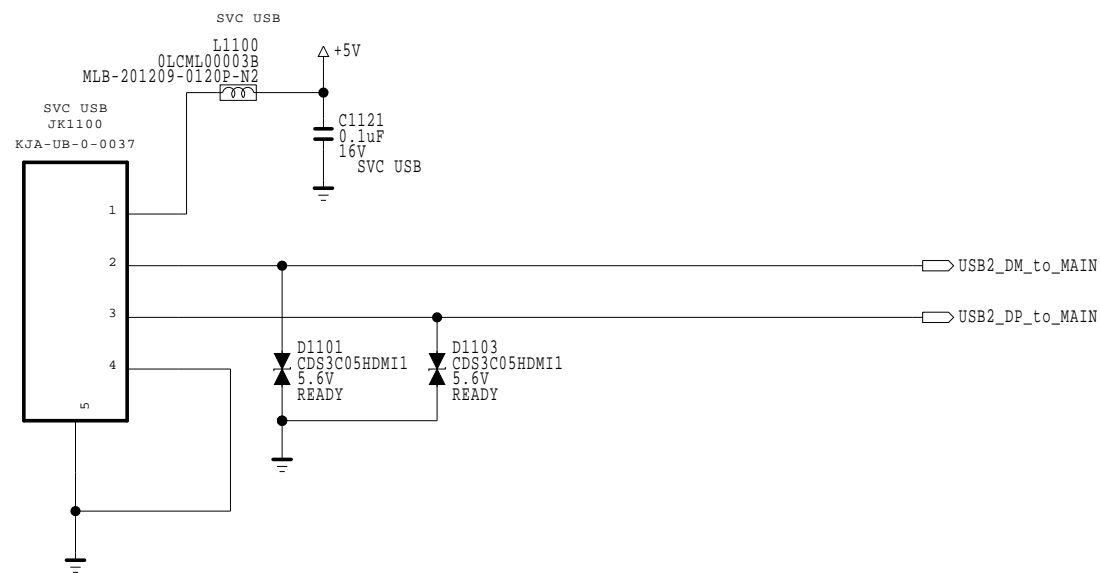




MODEL	EAX63425901(8)	DATE	2010.09.13
BLOCK	CVBS/COM1/2 JACK	SHEET	10 / 14

USB1 SIDE



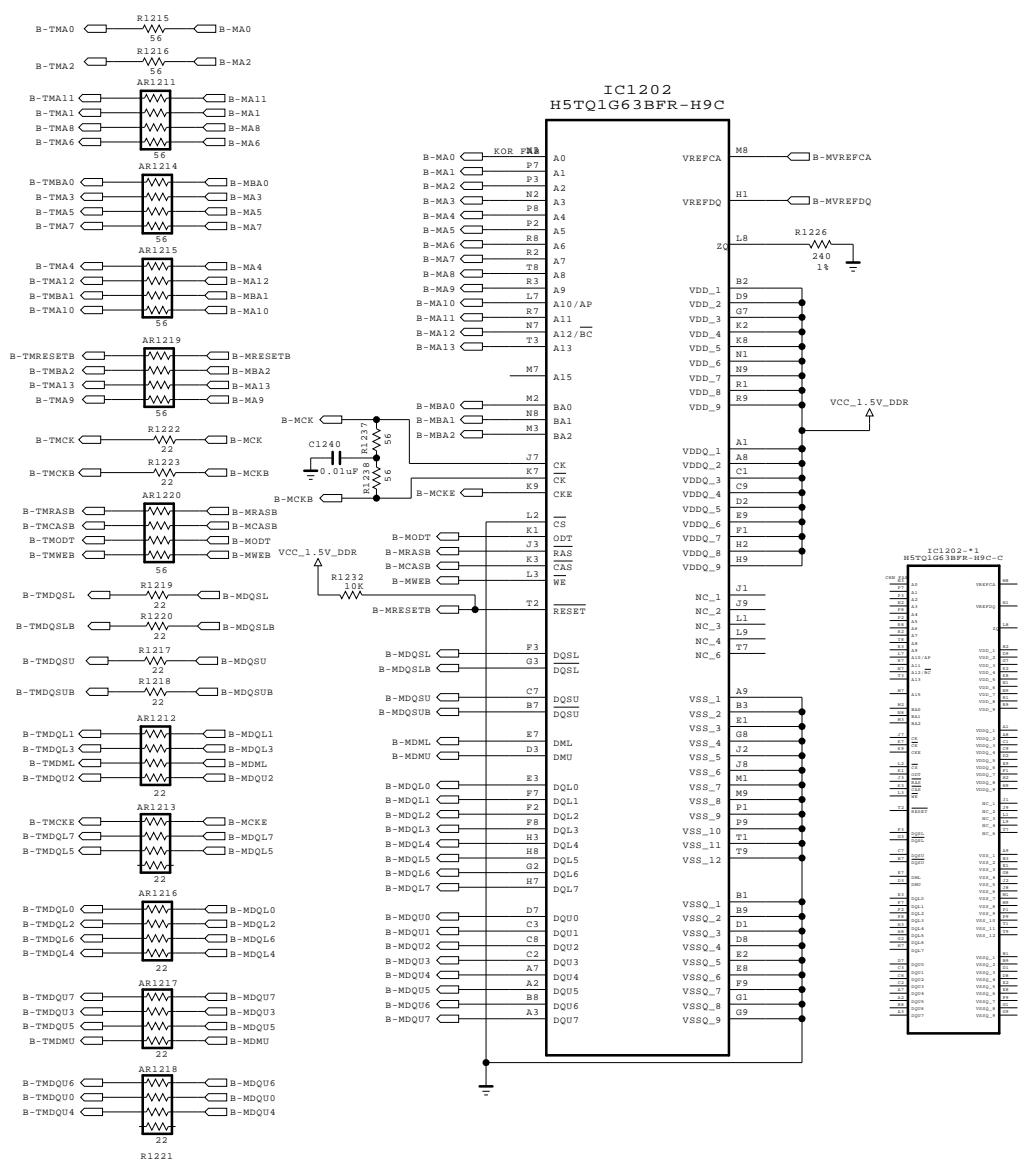
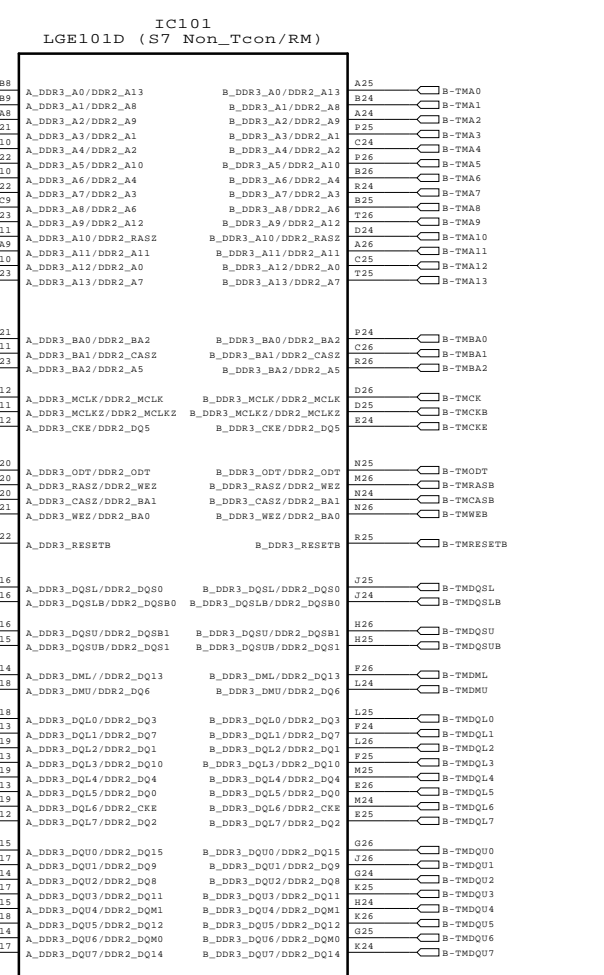
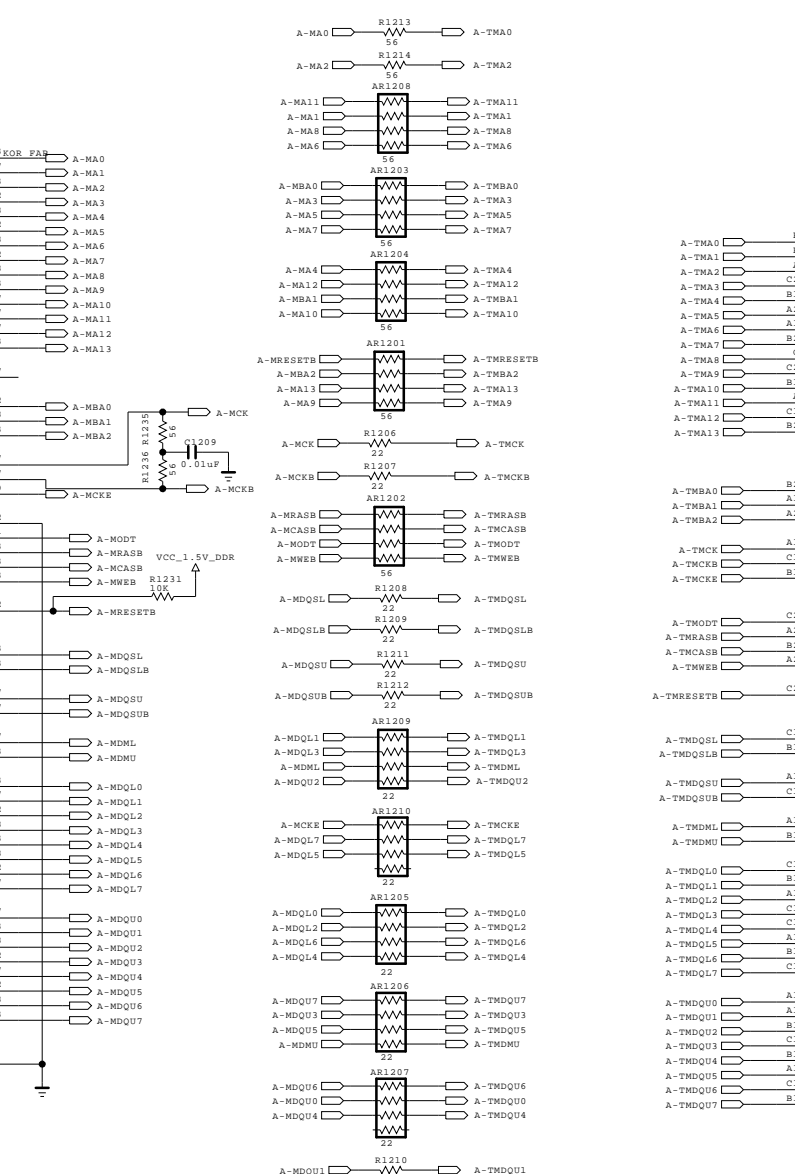
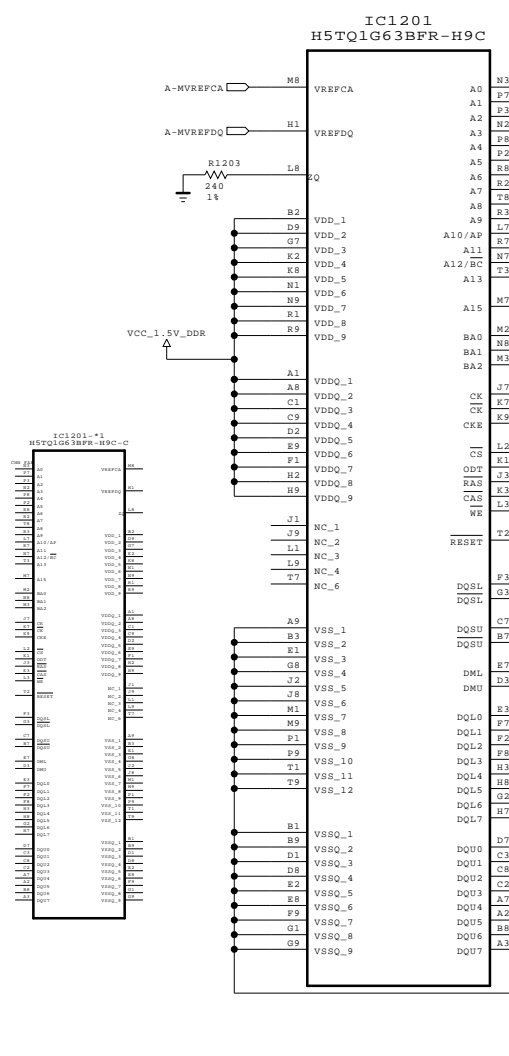
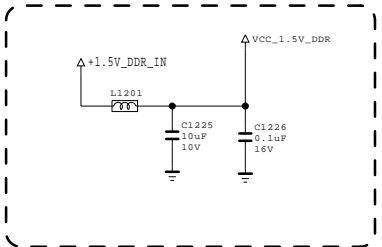
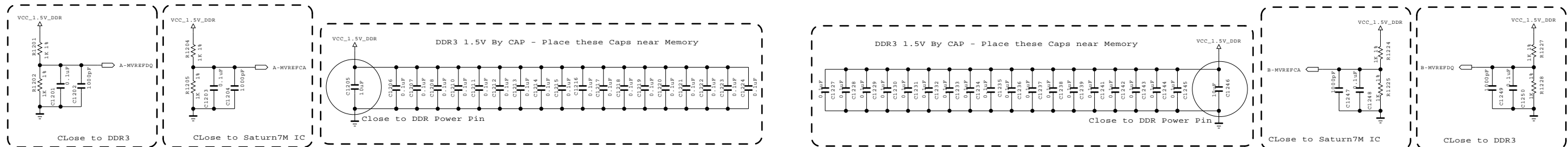
USB2 REAR (SVC)



THE  SYMBOL MARK OF THIS SCHEMATIC DIAGRAM INCORPORATES SPECIAL FEATURES IMPORTANT FOR PROTECTION FROM X-RADIATION. FILRE AND ELECTRICAL SHOCK HAZARDS, WHEN SERVICING IF IS ESSENTIAL THAT ONLY MANUFACTURES SPECIFIED PARTS BE USED FOR THE CRITICAL COMPONENTS IN THE  SYMBOL MARK OF THE SCHEMATIC.

SECRET	 LG ELECTRONICS
LGElectronics	

MODEL	EAX63425901(8)	DATE	2010.09.13
BLOCK	SIDE / SVC USB	SHEET	11 / 14



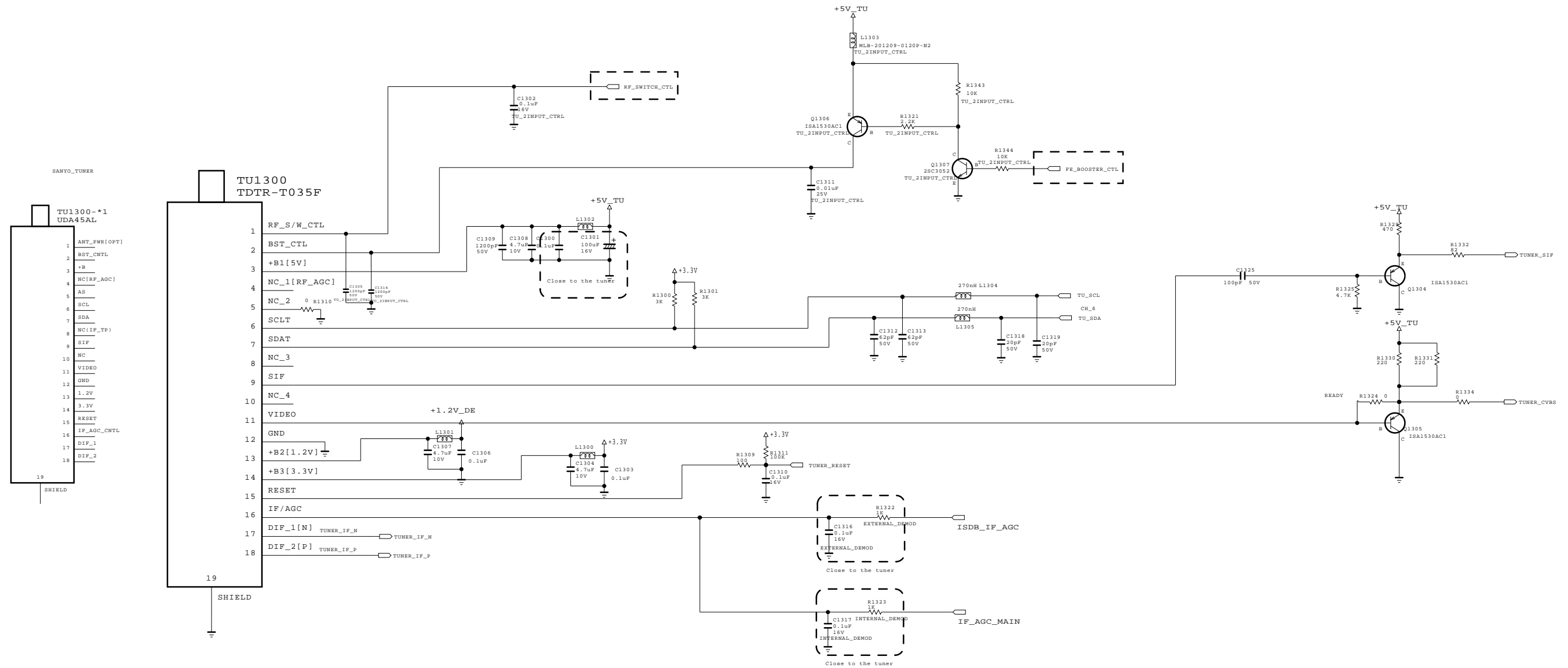
THE SYMBOL MARK OF THIS SCHEMATIC DIAGRAM INCORPORATES SPECIAL FEATURES IMPORTANT FOR PROTECTION FROM X-RADIATION. FILRE AND ELECTRICAL SHOCK HAZARDS, WHEN SERVICING IF IS ESSENTIAL THAT ONLY MANUFACTURES SPECIFIED PARTS BE USED FOR THE CRITICAL COMPONENTS IN THE SYMBOL MARK OF THE SCHEMATIC.

SECRET
LGElectronics



MODEL	EAX63425901 (8)	DATE	2010.09.07
BLOCK	DDR	SHEET	12 / 14

< KOREA / BRAZIL TUNER >

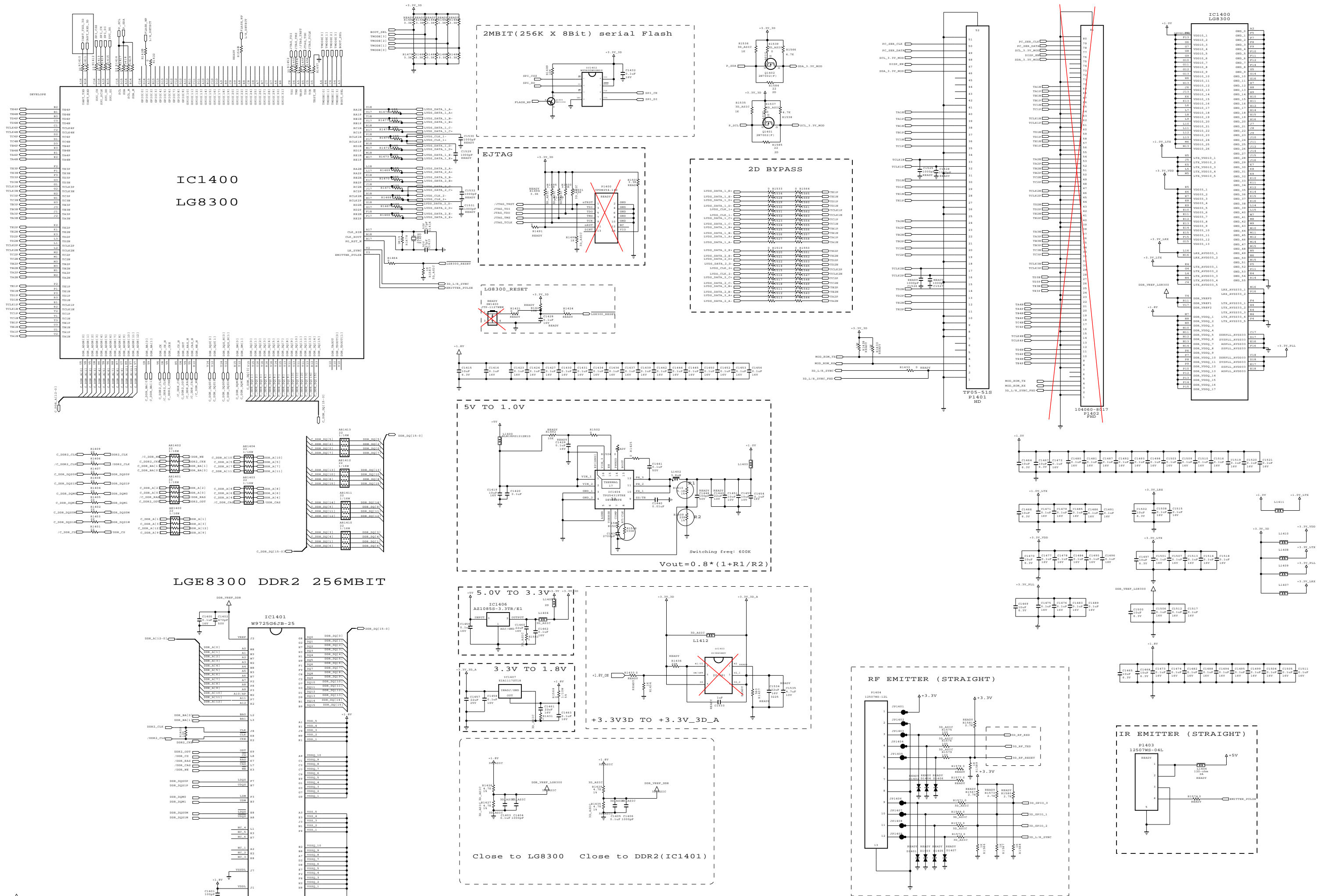


THE Δ SYMBOL MARK OF THIS SCHEMATIC DIAGRAM INCORPORATES SPECIAL FEATURES IMPORTANT FOR PROTECTION FROM X-RADIATION. FILRE AND ELECTRICAL SHOCK HAZARDS, WHEN SERVICING IF IS ESSENTIAL THAT ONLY MANUFACTURES SPECIFIED PARTS BE USED FOR THE CRITICAL COMPONENTS IN THE Δ SYMBOL MARK OF THE SCHEMATIC.

SECRET
LGElectronics



MODEL	EAX63425901(8)	DATE	2010.09.13
BLOCK	KOREA/BRAZIL CAN TUNER	SHEET	13 / 14



THE SYMBOL MARK OF THIS SCHEMATIC DIAGRAM INCORPORATES SPECIAL FEATURES IMPORTANT FOR PROTECTION FROM X-RADIATION. FILTRER AND ELECTRICAL SHOCK HAZARDS, WHEN SERVICING IF IS ESSENTIAL THAT ONLY MANUFACTURERS SPECIFIED PARTS BE USED FOR THE CRITICAL COMPONENTS IN THE SYMBOL MARK OF THE SCHEMATIC.

SECRET
LGElectronics

LG ELECTRONICS

MODEL	EAX63425901(8)	DATE	2010.09.13
BLOCK	3DF	SHEET	14 / 14