



North/Latin America
Europe/Africa
Asia/Oceania

<http://aic.lgservice.com>
<http://eic.lgservice.com>
<http://biz.lgservice.com>

LED LCD TV

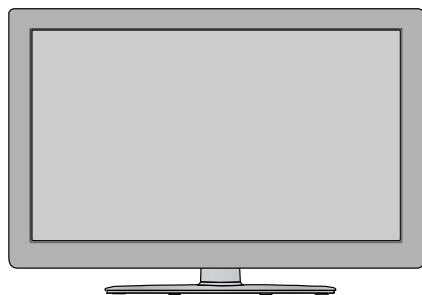
Schematics and Exploded View

CHASSIS : LA02R

MODEL : 47LX6500 47LX6500-UB

CAUTION

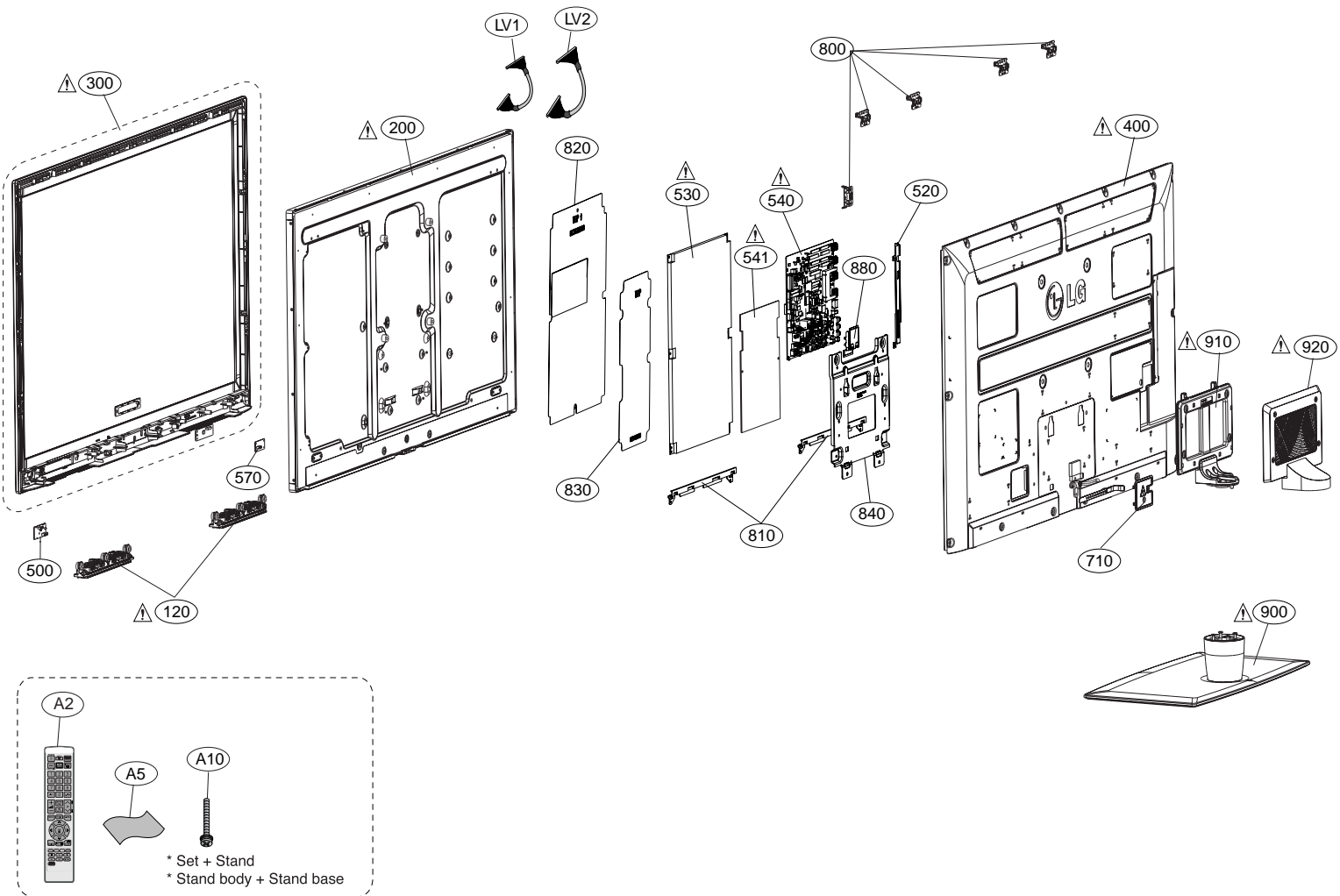
BEFORE SERVICING THE CHASSIS,
READ THE SAFETY PRECAUTIONS IN THIS MANUAL.



EXPLODED VIEW

IMPORTANT SAFETY NOTICE

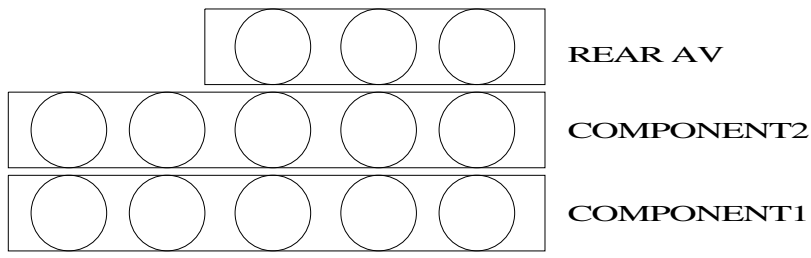
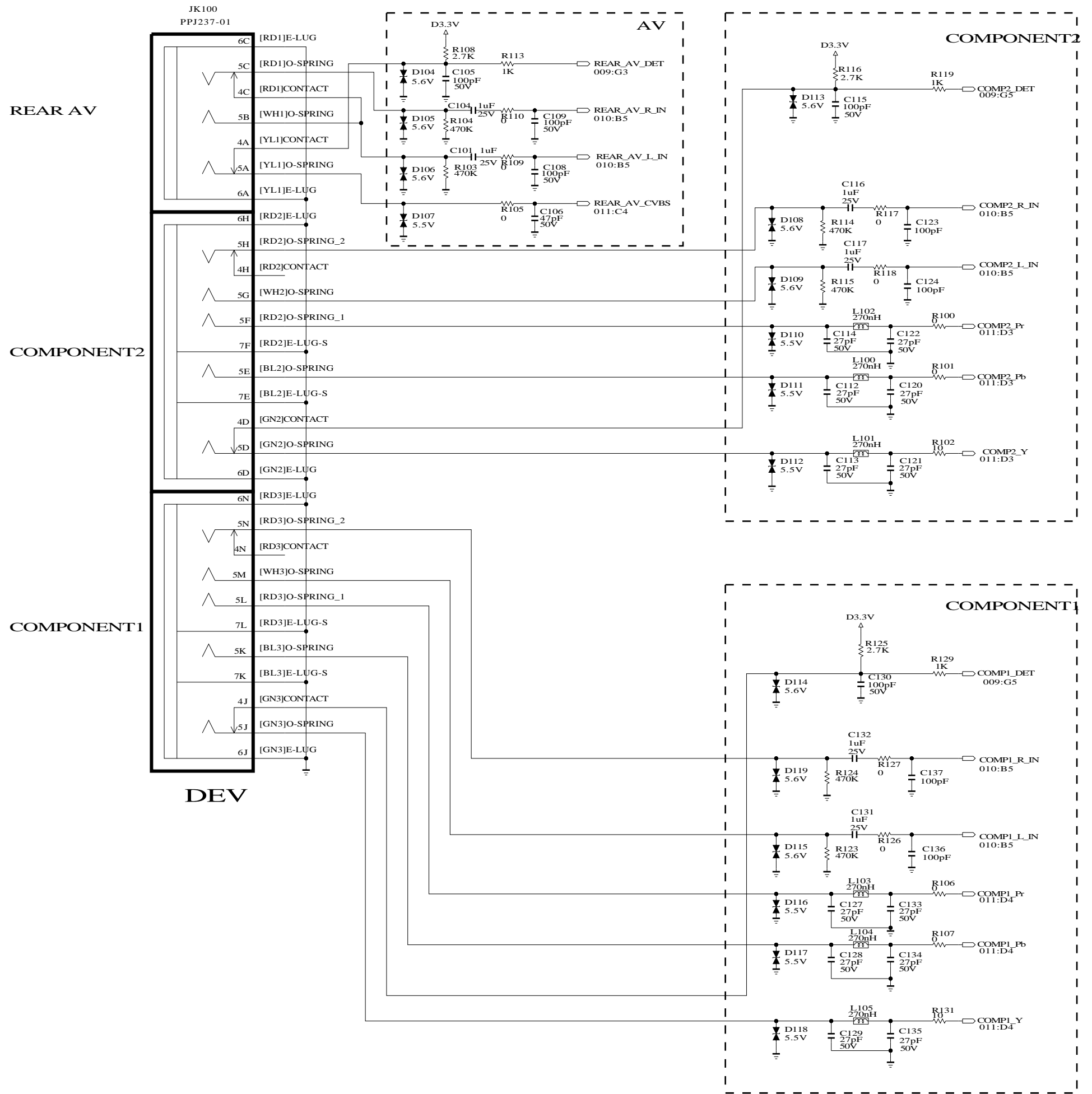
Many electrical and mechanical parts in this chassis have special safety-related characteristics. These parts are identified by ⚠ in the Schematic Diagram and EXPLODED VIEW. It is essential that these special safety parts should be replaced with the same components as recommended in this manual to prevent X-RADIATION, Shock, Fire, or other Hazards. Do not modify the original design without permission of manufacturer.



47LX6500 EXPLODED VIEW PARTS LIST

ITEM	PART No	DESCRIPTION
120	EAB60961501	Speaker (Full Range) EN0870D-6784 ND 10W 8OHM 78DB 150HZ 188x20x18
200	EAJ61111601	TFT Panel (Includes Inverter boards)
300	ABJ72967447	Cabinet Assembly Ft Frame
400	ACQ75452157	Back Cover
500	EBR69838801	IR Emitter (Sync) (Shown incorrectly as item 570) Updated Part: EBR72073501
520	MGJ62006021	Plate, Metal AV
530	EAY60803203	SMPS (Power Supply) Board
540	EBR69488802	Main Board
541	EBR69489201	PWB Sub Assembly
570	EBR64966201	Front Control IR / EYE Q (Board Assembly, Front) (Shown in wrong location on Exploded View 500)
710	MAZ61972002	Mold ABS AF-303 Bracket Power Cord Cover
800	MJH61881002	Supporter Module Fixer
810	MJH61890701	Supporter Module Fixer
820	AGU72968602	Power Supply Insulation Sheet
830	MCR62199804	High insulation Shield
840	MJH61880909	Stand Metal Guide
900	AAN72949918	Stand Base Assembly
910	MJH61878602	Stand Top
920	MAZ61974803	Stand Cover Mold ABS XG-569 Bracket
A2	AKB72914036	Remote Control
A3	EAD60817902	Power Cord
A5	MAF60779001	Cloth Cleaner
A10	FAB30016105	Stand Screw
LV1	EAD61078208	LVDS Cable (Left Side from Main)
LV2	EAD60956345	LVDS Cable (Right Side from Main)

COMPONENT/AV REAR JACK



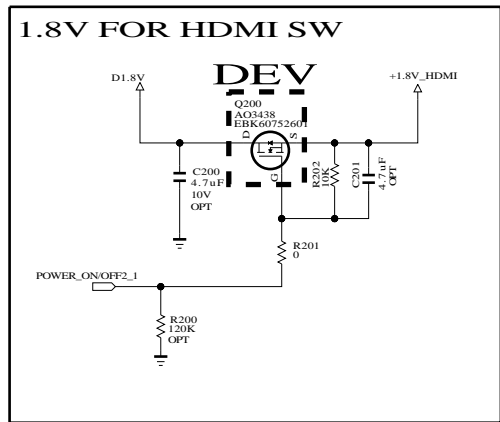
THE SYMBOL MARK OF THIS SCHEMATIC DIAGRAM INCORPORATES SPECIAL FEATURES IMPORTANT FOR PROTECTION FROM X-RADIATION. FILRE AND ELECTRICAL SHOCK HAZARDS, WHEN SERVICING IF IS ESSENTIAL THAT ONLY MANUFACTURES SPECIFIED PARTS BE USED FOR THE CRITICAL COMPONENTS IN THE SYMBOL MARK OF THE SCHEMATIC.

SECRET
LGElectronics



MODEL	GP2_BCM_ATSC	DATE	09/10/x x
BLOCK	COMPONENT / AV REAR	SHEET	1 / 100

HDMI SWITCH 1.8V POWER



Seperated from Common sheet83
 N.America & Korea only use 1.8V control

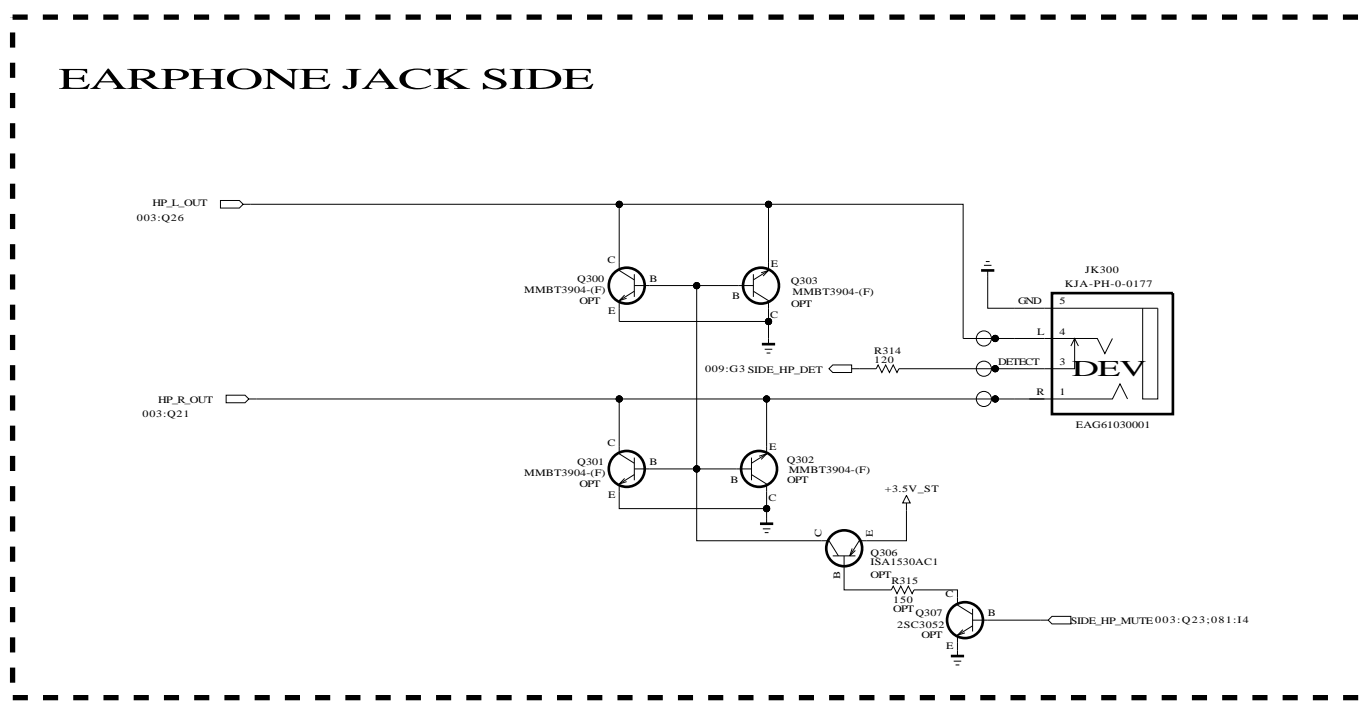
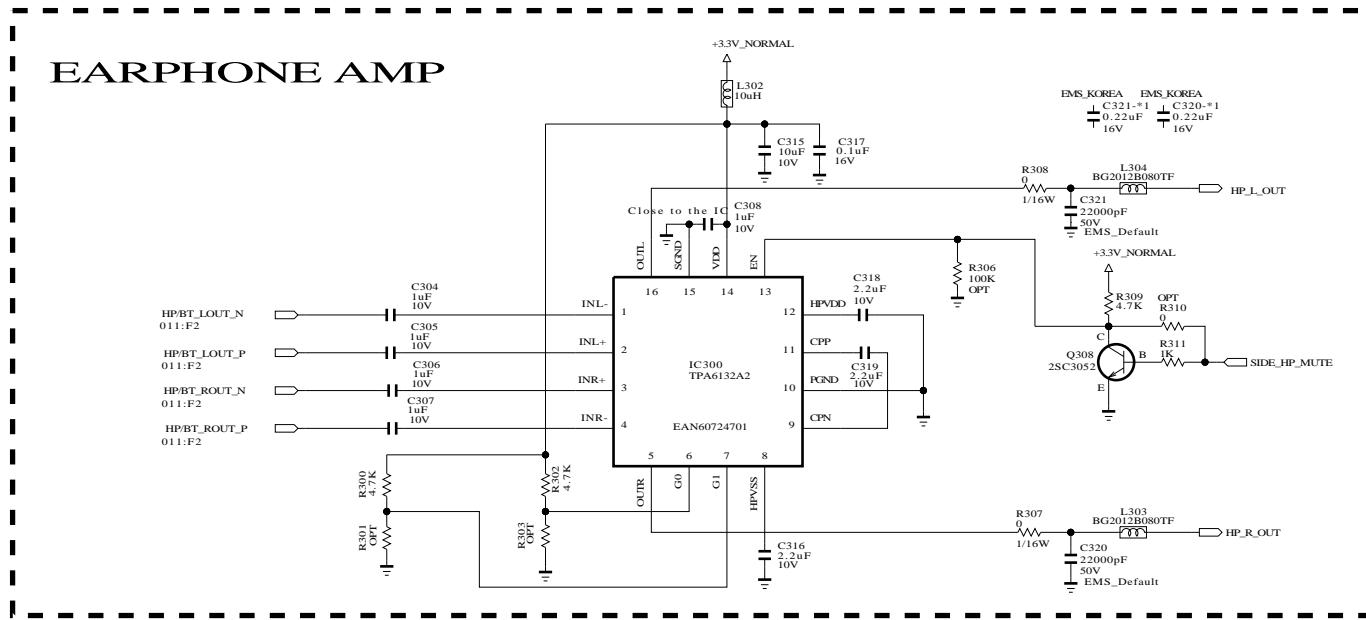
THE SYMBOL MARK OF THIS SCHEMATIC DIAGRAM INCORPORATES SPECIAL FEATURES IMPORTANT FOR PROTECTION FROM X-RADIATION. FILRE AND ELECTRICAL SHOCK HAZARDS, WHEN SERVICING IF IS ESSENTIAL THAT ONLY MANUFACTURES SPECIFIED PARTS BE USED FOR THE CRITICAL COMPONENTS IN THE SYMBOL MARK OF THE SCHEMATIC.

SECRET
 LGElectronics

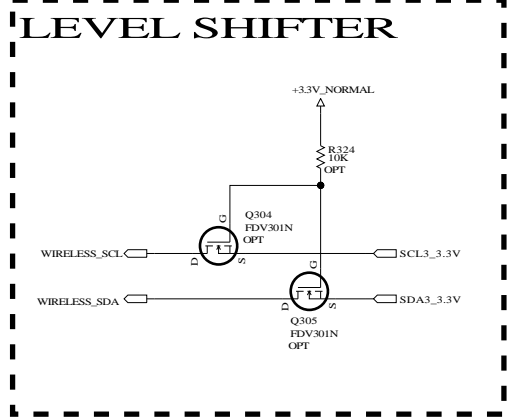


MODEL	GP2_BCM_ATSC	DATE	09/10/xx
BLOCK	HDMI_POWER	SHEET	2 / 100

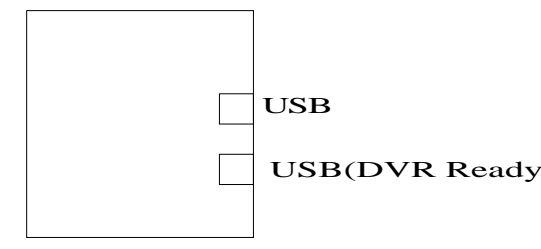
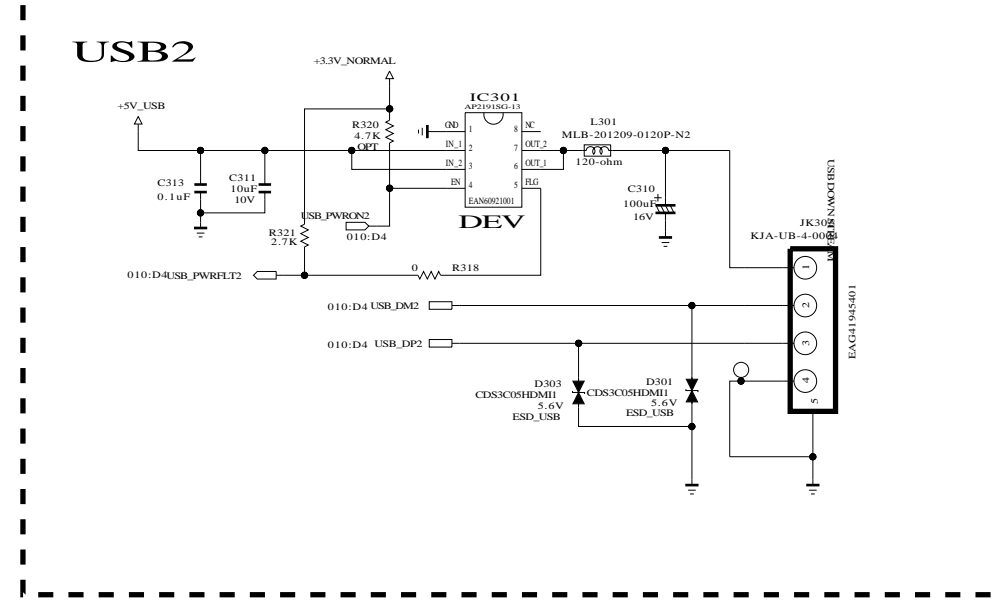
EARPHONE BLOCK



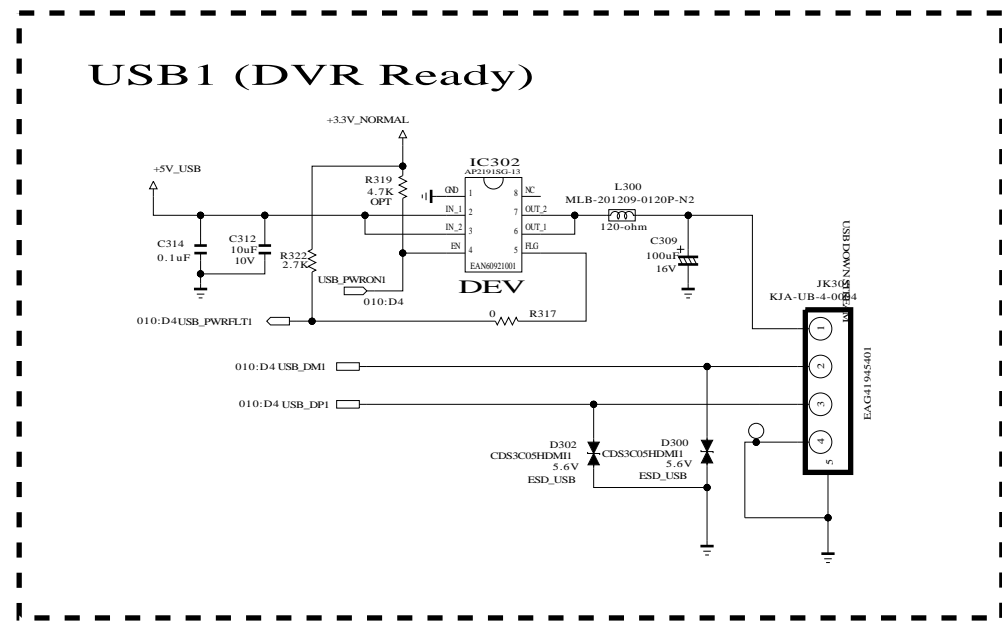
WIRELESS I2C LEVEL SHIFTER



USB BLOCK

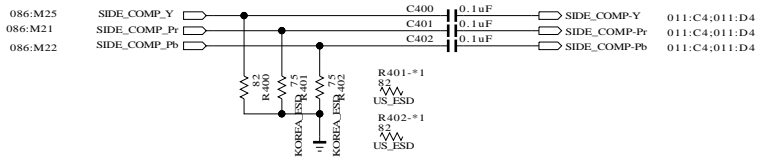


CHANGE USB_PWRFLT PULL-UP FROM 5V TO 3.3V



THE SYMBOL MARK OF THIS SCHEMATIC DIAGRAM INCORPORATES SPECIAL FEATURES IMPORTANT FOR PROTECTION FROM X-RADIATION, FILRE AND ELECTRICAL SHOCK HAZARDS, WHEN SERVICING IF IS ESSENTIAL THAT ONLY MANUFACTURES SPECIFIED PARTS BE USED FOR THE CRITICAL COMPONENTS IN THE SYMBOL MARK OF THE SCHEMATIC.

SIDE COMPONENT LINE



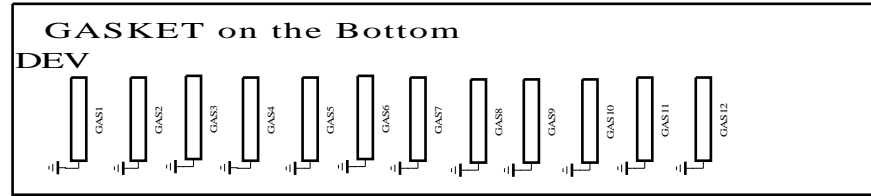
CLOSE TO MAIN IC

THE SYMBOL MARK OF THIS SCHEMATIC DIAGRAM INCORPORATES SPECIAL FEATURES IMPORTANT FOR PROTECTION FROM X-RADIATION. FILRE AND ELECTRICAL SHOCK HAZARDS. WHEN SERVICING IF IS ESSENTIAL THAT ONLY MANUFACTURES SPECIFIED PARTS BE USED FOR THE CRITICAL COMPONENTS IN THE SYMBOL MARK OF THE SCHEMATIC.

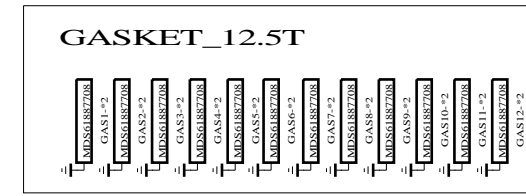
SECRET	LG ELECTRONICS
LGElectronics	

MODEL	SIDE_GENDER_LINE	DATE	09/10/xx
BLOCK	SIDE_GENDER_LINE	SHEET	4 / 100

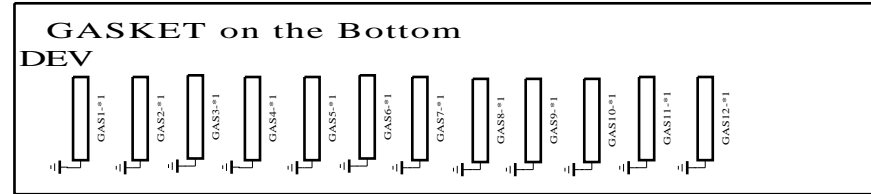
SMD GASKET FOR EMI (8*6*5.5 FOR LE5400/5500/7500)



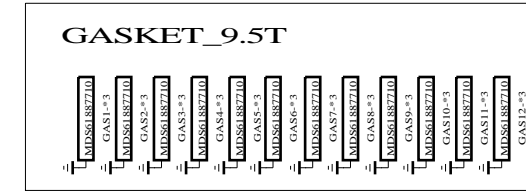
SMD GASKET FOR EMI (8*6*12.5T)



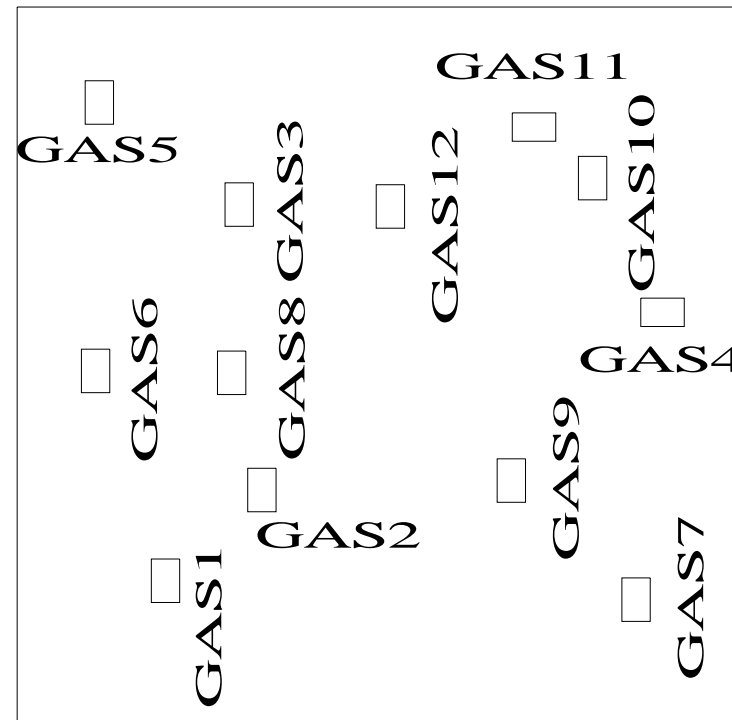
SMD GASKET FOR EMI (8*6*7.5 FOR LE8500)



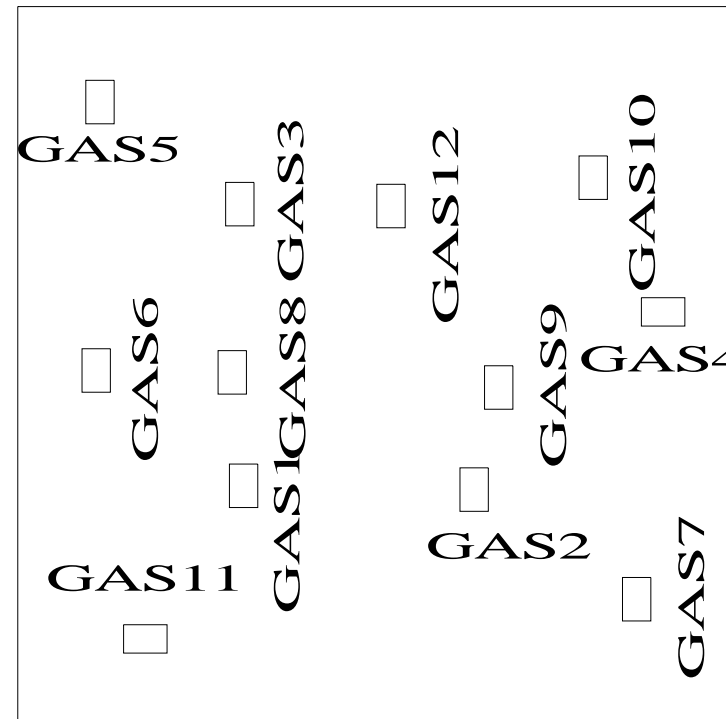
SMD GASKET FOR EMI (8*6* 9.5T)



Draw bottom location when make a new pcb

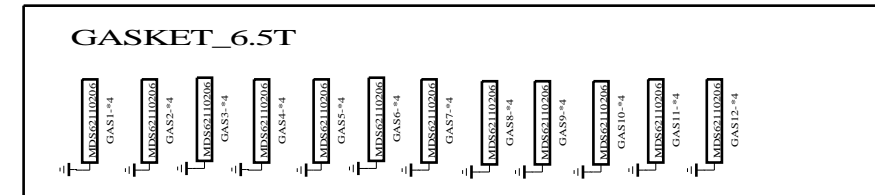


EAX61538101



EAX61746401

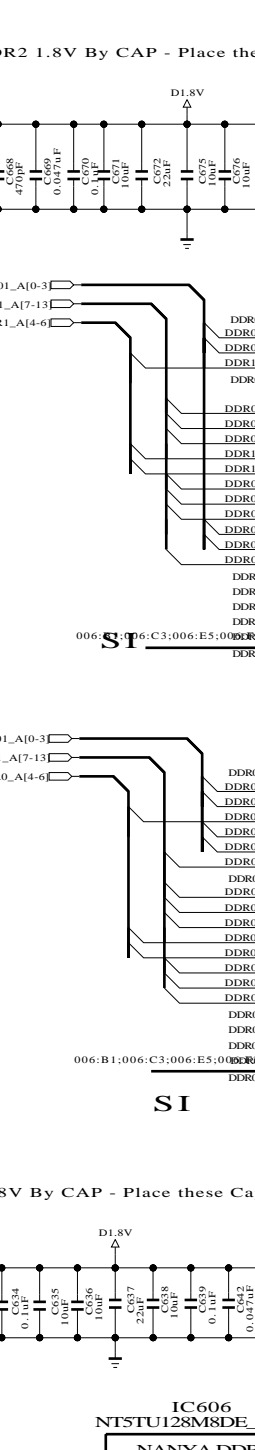
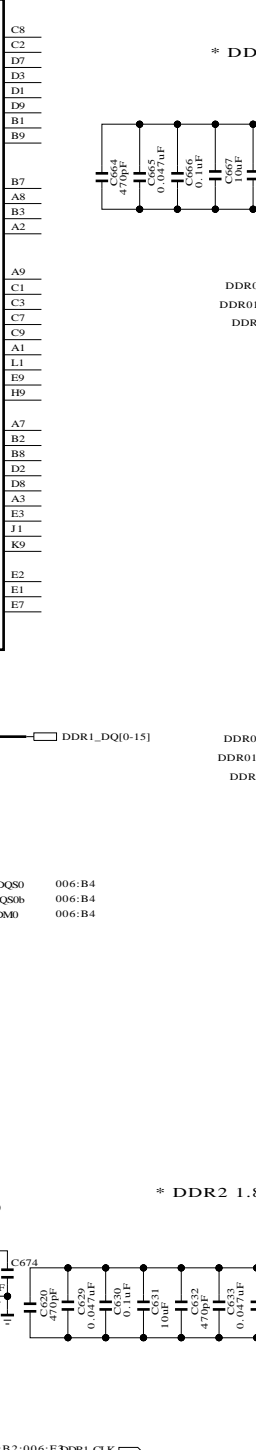
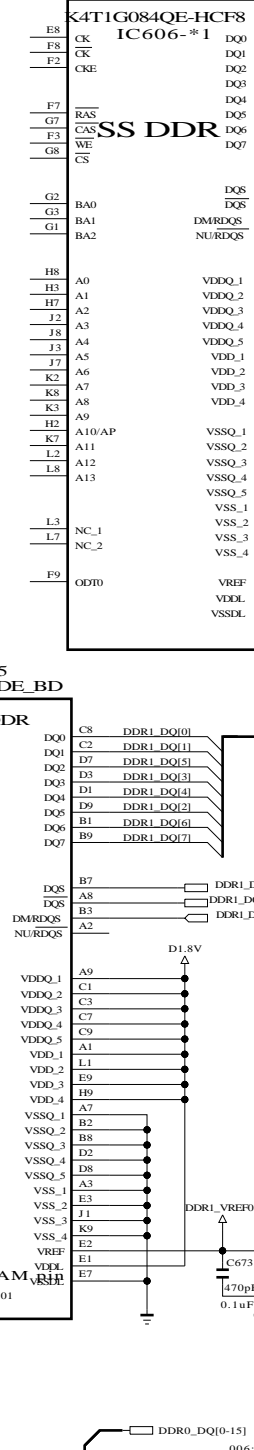
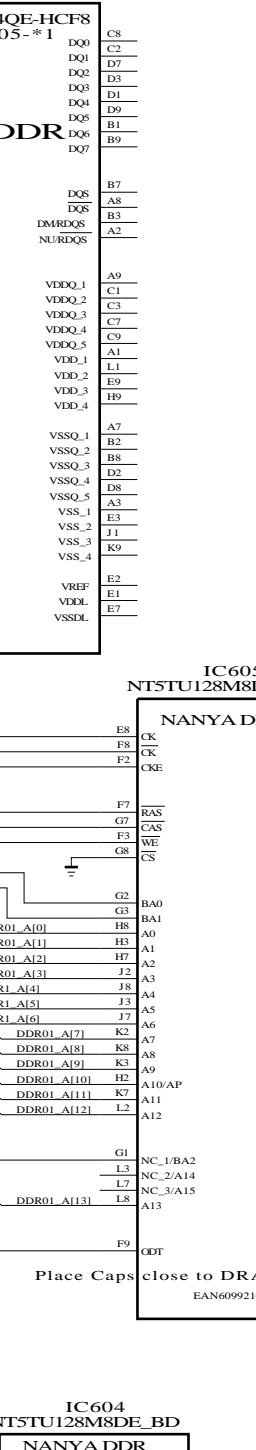
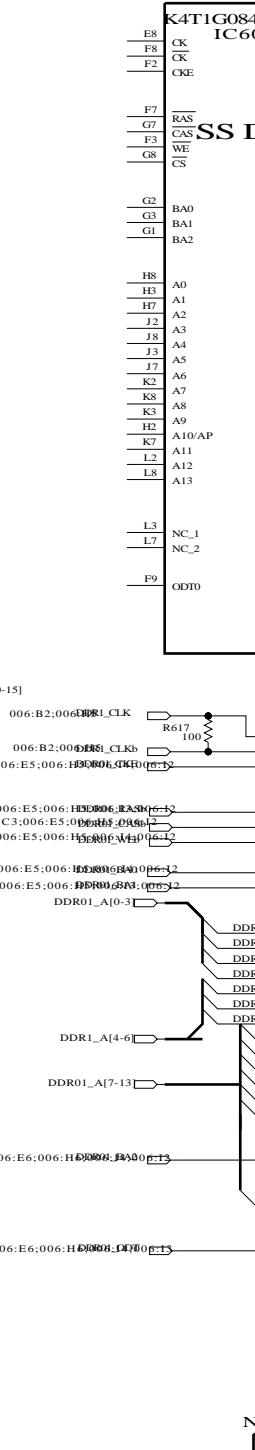
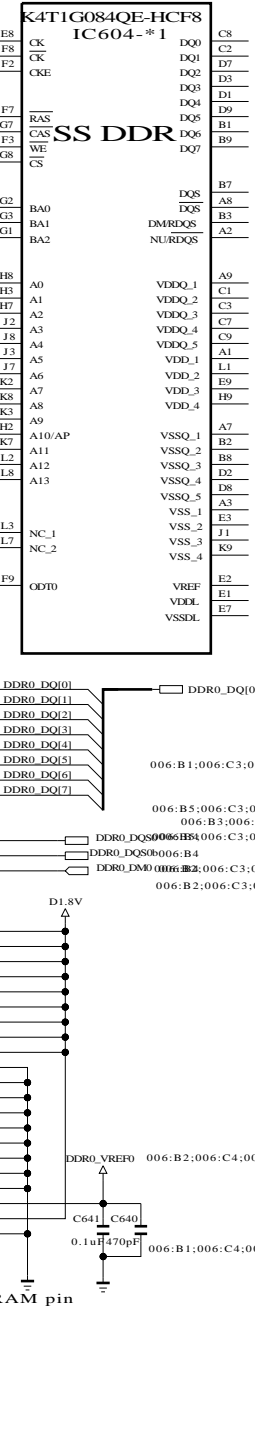
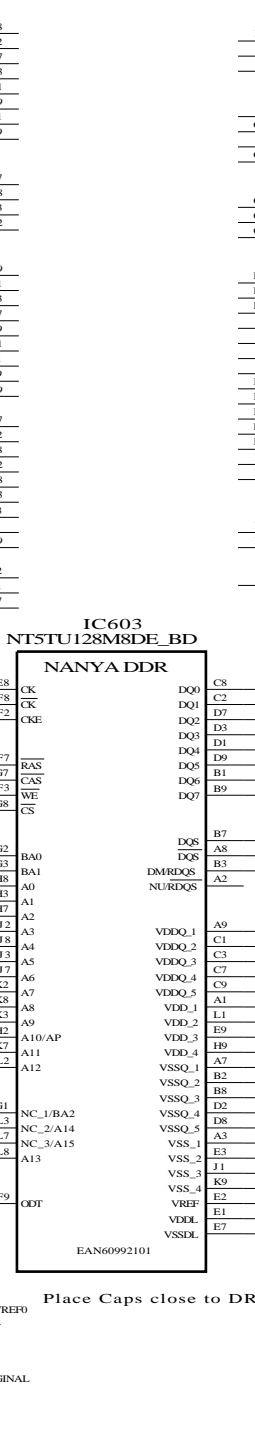
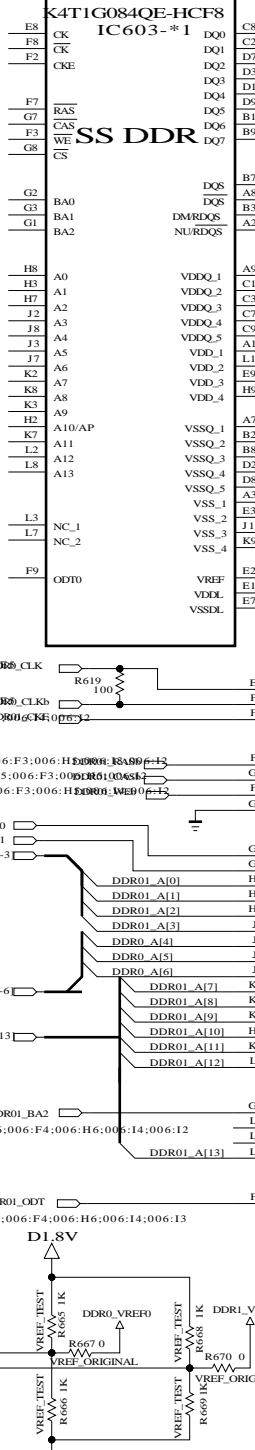
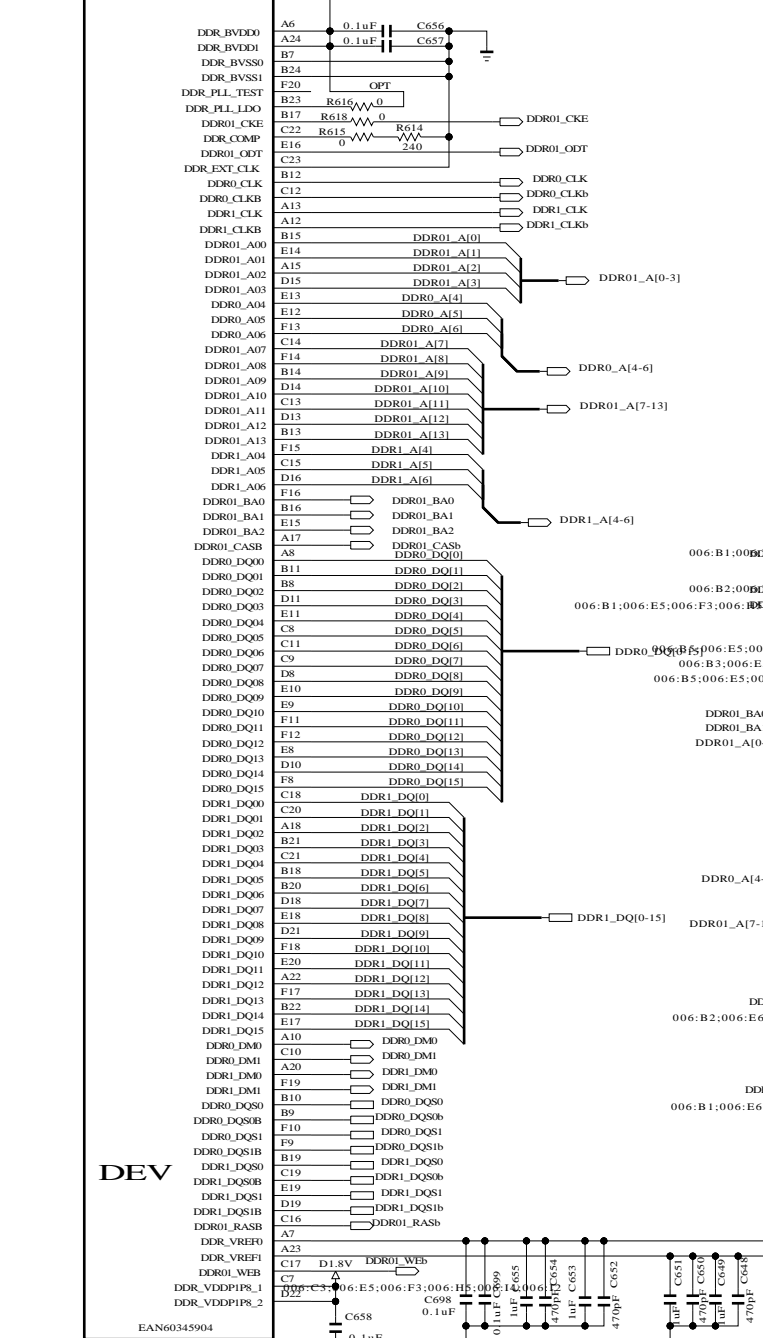
SMD GASKET FOR EMI (8*6*6.5 FOR 32LE7500)



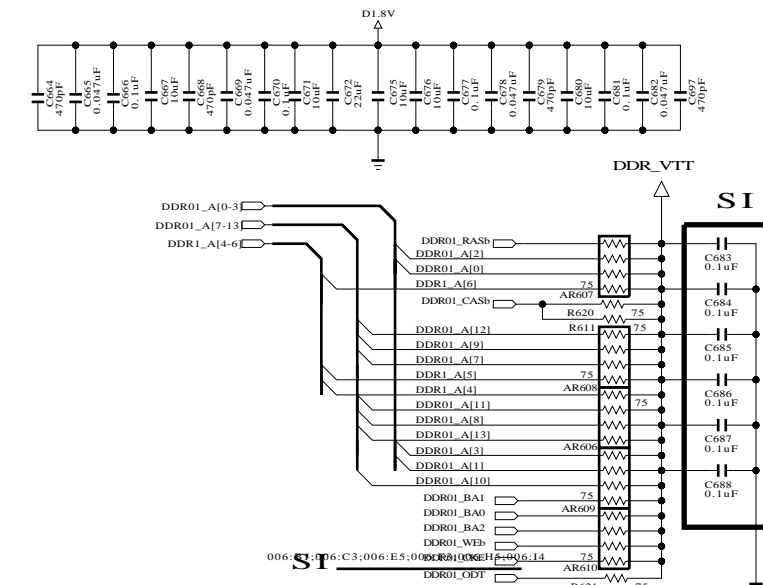
THE SYMBOL MARK OF THIS SCHEMATIC DIAGRAM INCORPORATES SPECIAL FEATURES IMPORTANT FOR PROTECTION FROM X-RADIATION, FILRE AND ELECTRICAL SHOCK HAZARDS, WHEN SERVICING IF IS ESSENTIAL THAT ONLY MANUFACTURES SPECIFIED PARTS BE USED FOR THE CRITICAL COMPONENTS IN THE SYMBOL MARK OF THE SCHEMATIC.

BCM-DDR

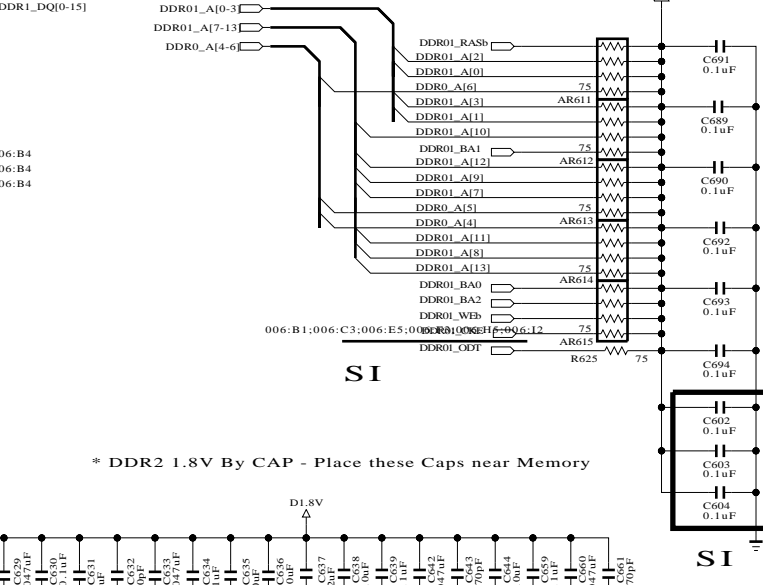
IC900
LGE3549XQ (B2 VERSION)



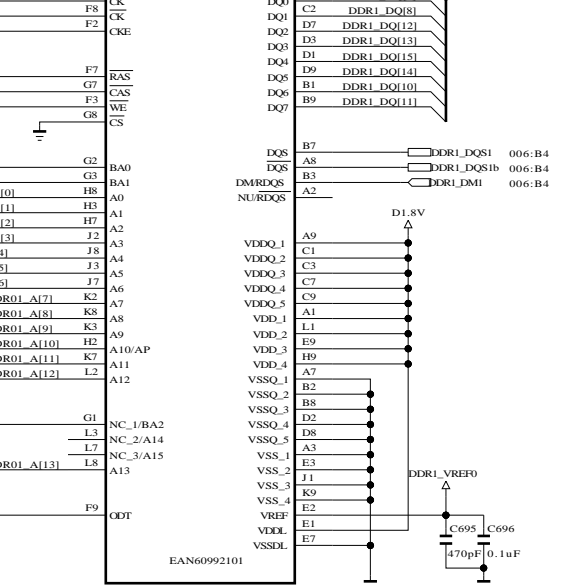
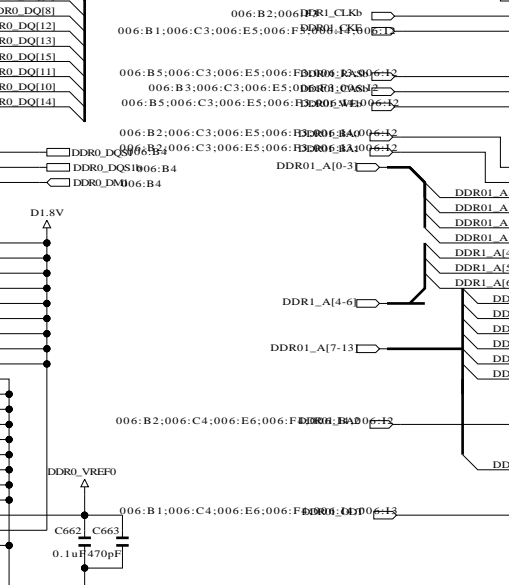
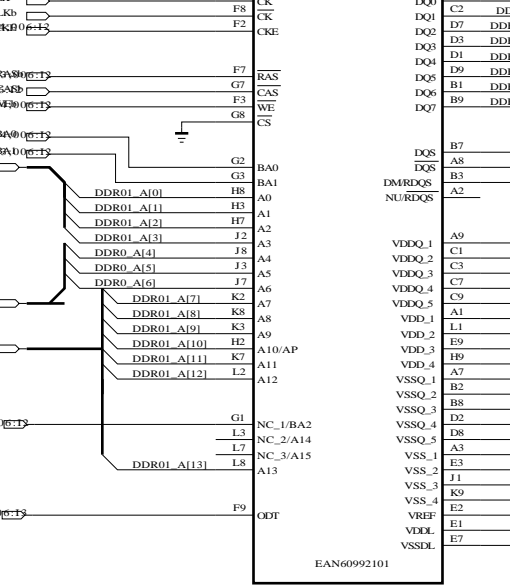
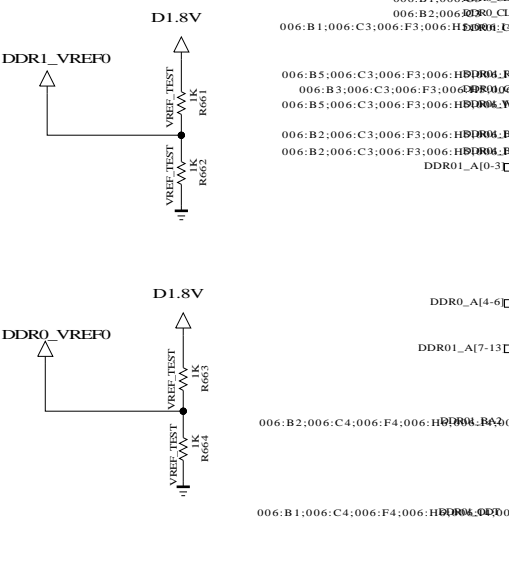
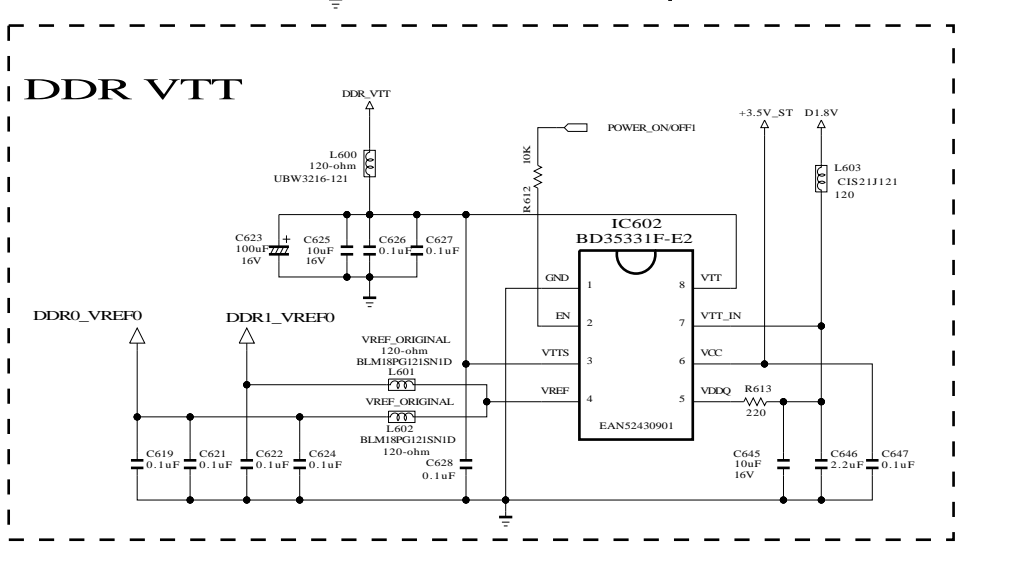
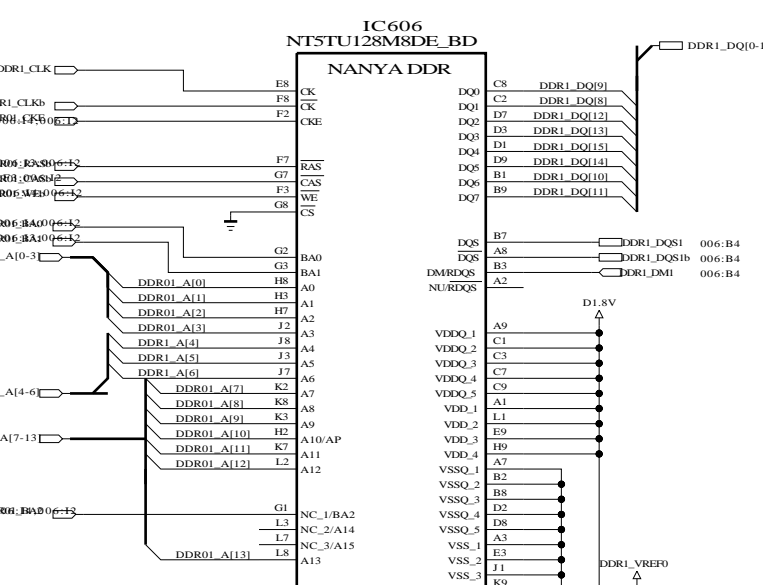
* DDR 1.8V By CAP - Place these Caps near Memory



* DDR 1.8V By CAP - Place these Caps near Memory



* DDR 1.8V By CAP - Place these Caps near Memory



THE SYMBOL MARK OF THIS SCHEMATIC DIAGRAM INCORPORATES SPECIAL FEATURES IMPORTANT FOR PROTECTION FROM X-RADIATION. FILRE AND ELECTRICAL SHOCK HAZARDS, WHEN SERVICING IF IS ESSENTIAL THAT ONLY MANUFACTURES SPECIFIED PARTS BE USED FOR THE CRITICAL COMPONENTS IN THE SYMBOL MARK OF THE SCHEMATIC.

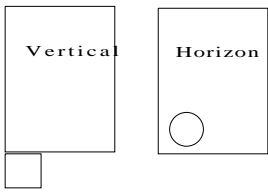
SECRET
LGElectronics



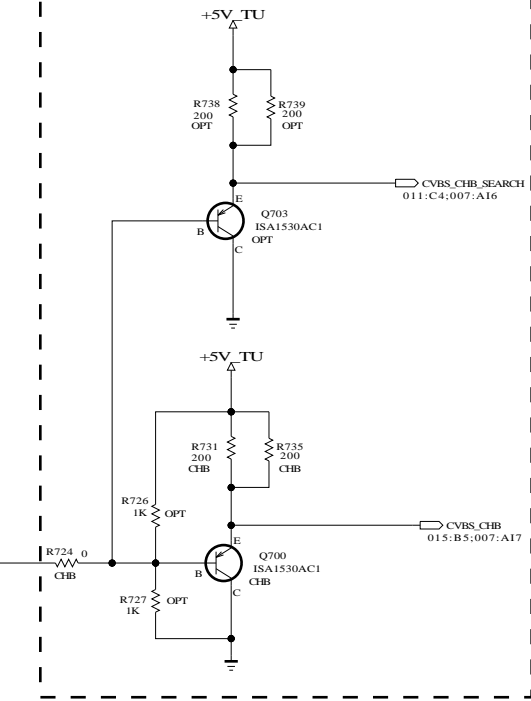
MODEL	GP2 BCM AT6C	DATE	09/10/xx
BLOCK	BCM-DDR	SHEET	6 / 100

ATSC TUNER

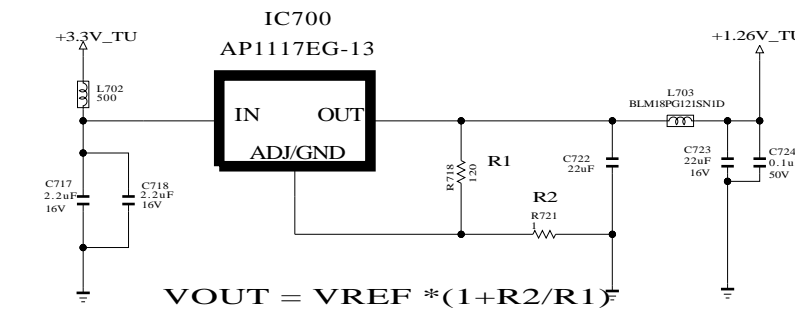
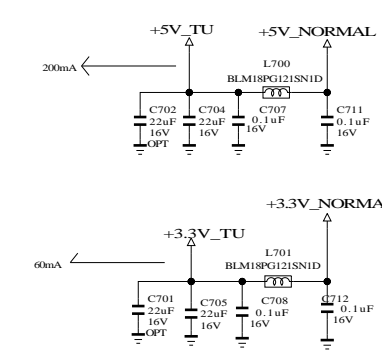
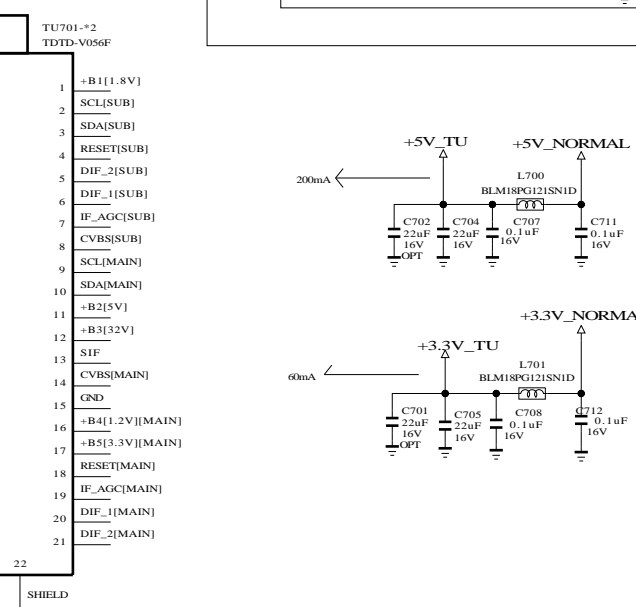
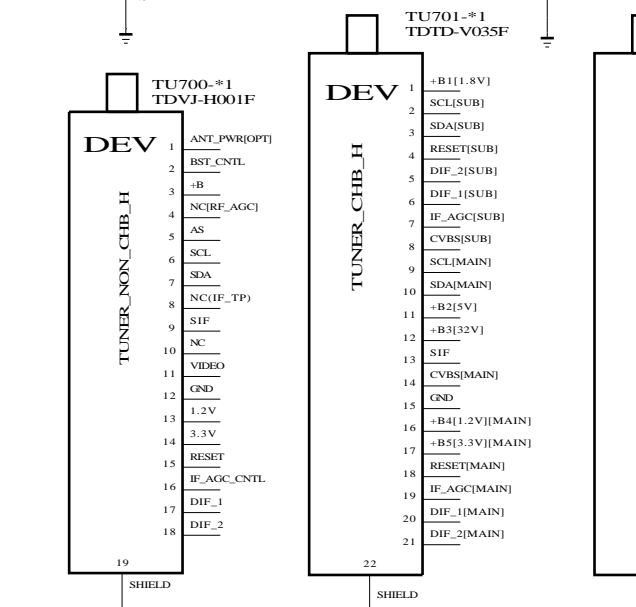
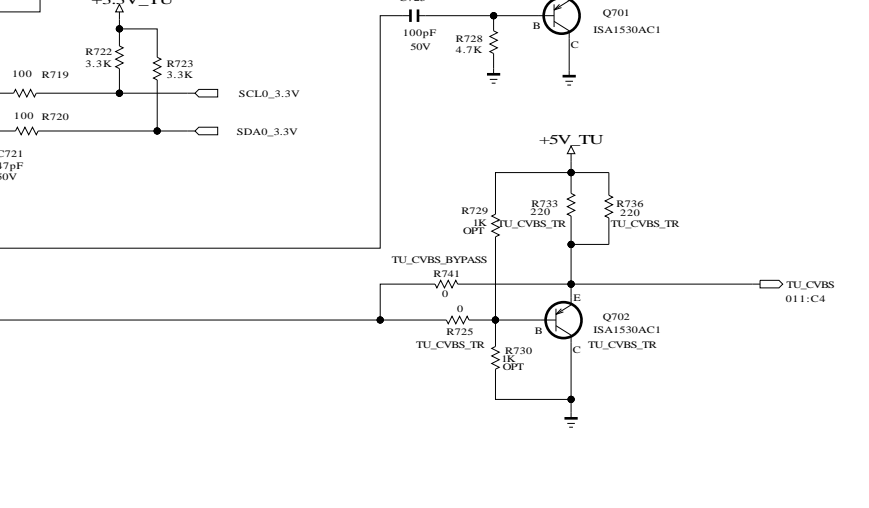
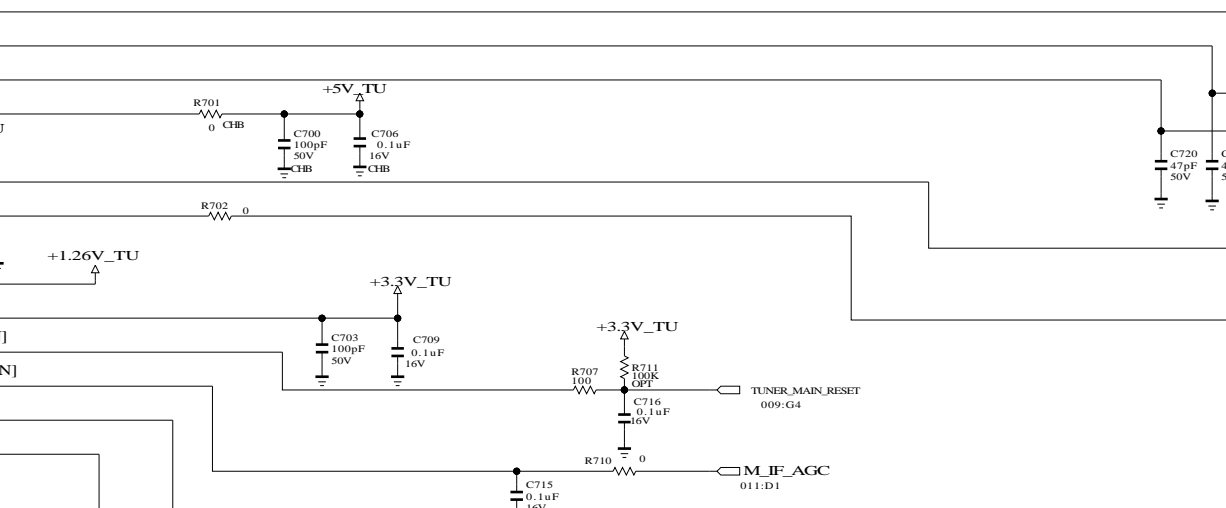
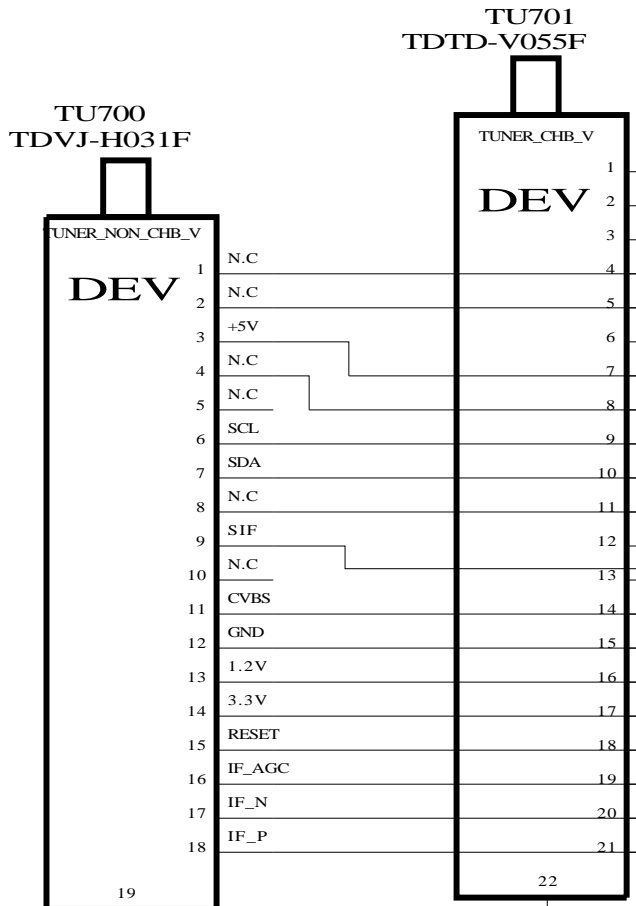
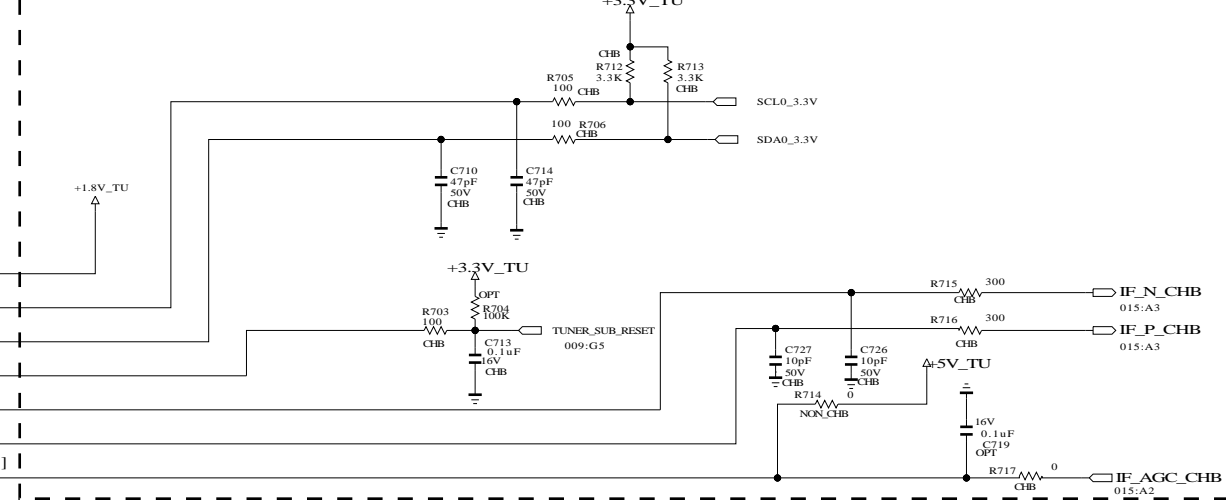
TUNER TYPE



CHB OPTION

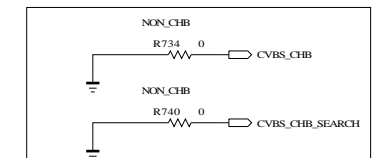


CHB OPTION

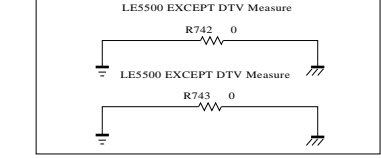


$$V_{OUT} = V_{REF} * (1 + R2/R1)$$

NON CHB OPTION



LE5500 EXCEPT DTV Measure OPTION



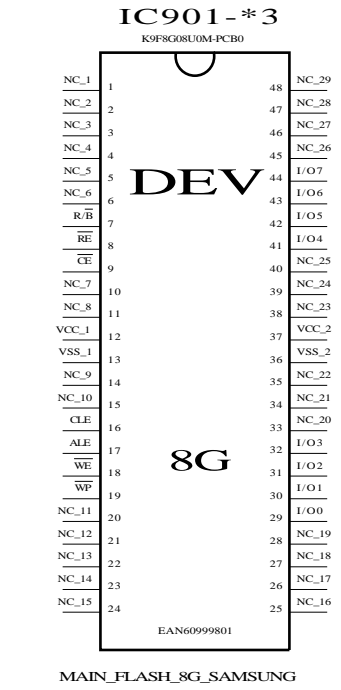
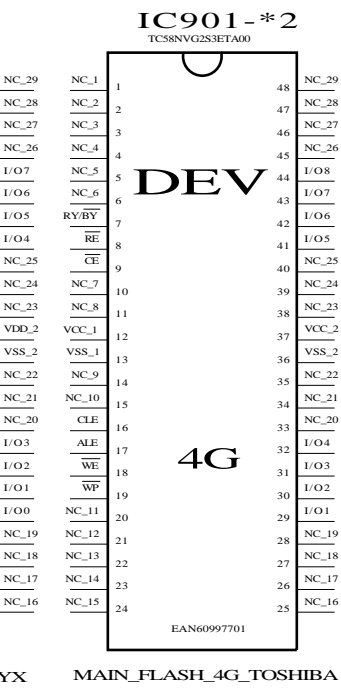
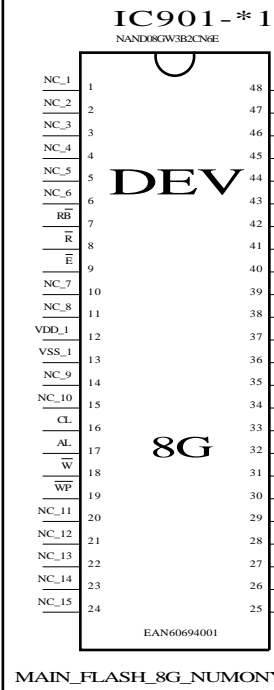
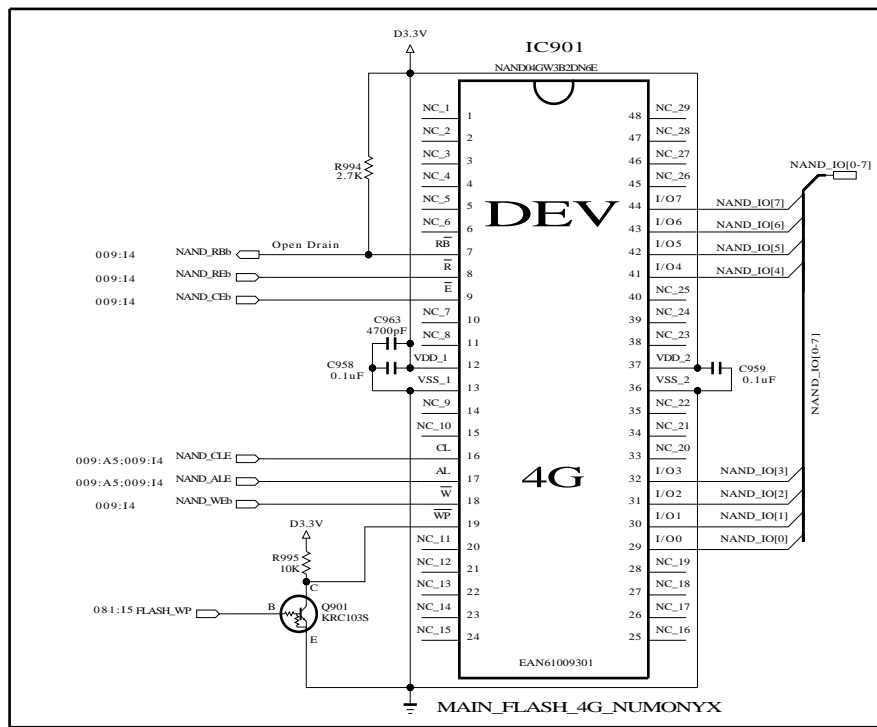
THE SYMBOL MARK OF THIS SCHEMATIC DIAGRAM INCORPORATES SPECIAL FEATURES IMPORTANT FOR PROTECTION FROM X-RADIATION. FILRE AND ELECTRICAL SHOCK HAZARDS, WHEN SERVICING IF IS ESSENTIAL THAT ONLY MANUFACTURERS SPECIFIED PARTS BE USED FOR THE CRITICAL COMPONENTS IN THE SYMBOL MARK OF THE SCHEMATIC.

SECRET
LGElectronics

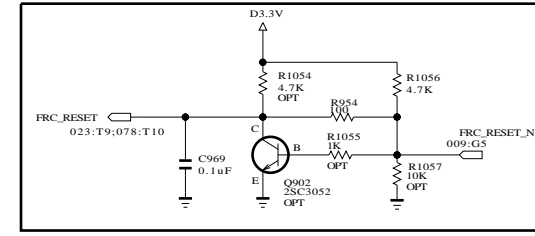
LG ELECTRONICS

MODEL	GP2_BCM_ATSC	DATE	09/10/xx
BLOCK	ATSC_TUNER	SHEET	7 / 100

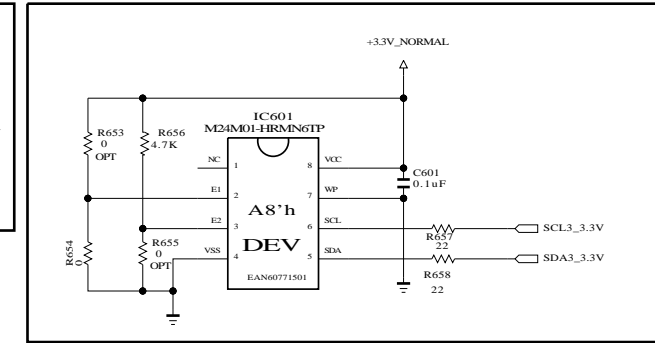
NAND FLASH MEMORY



FRC_RESET



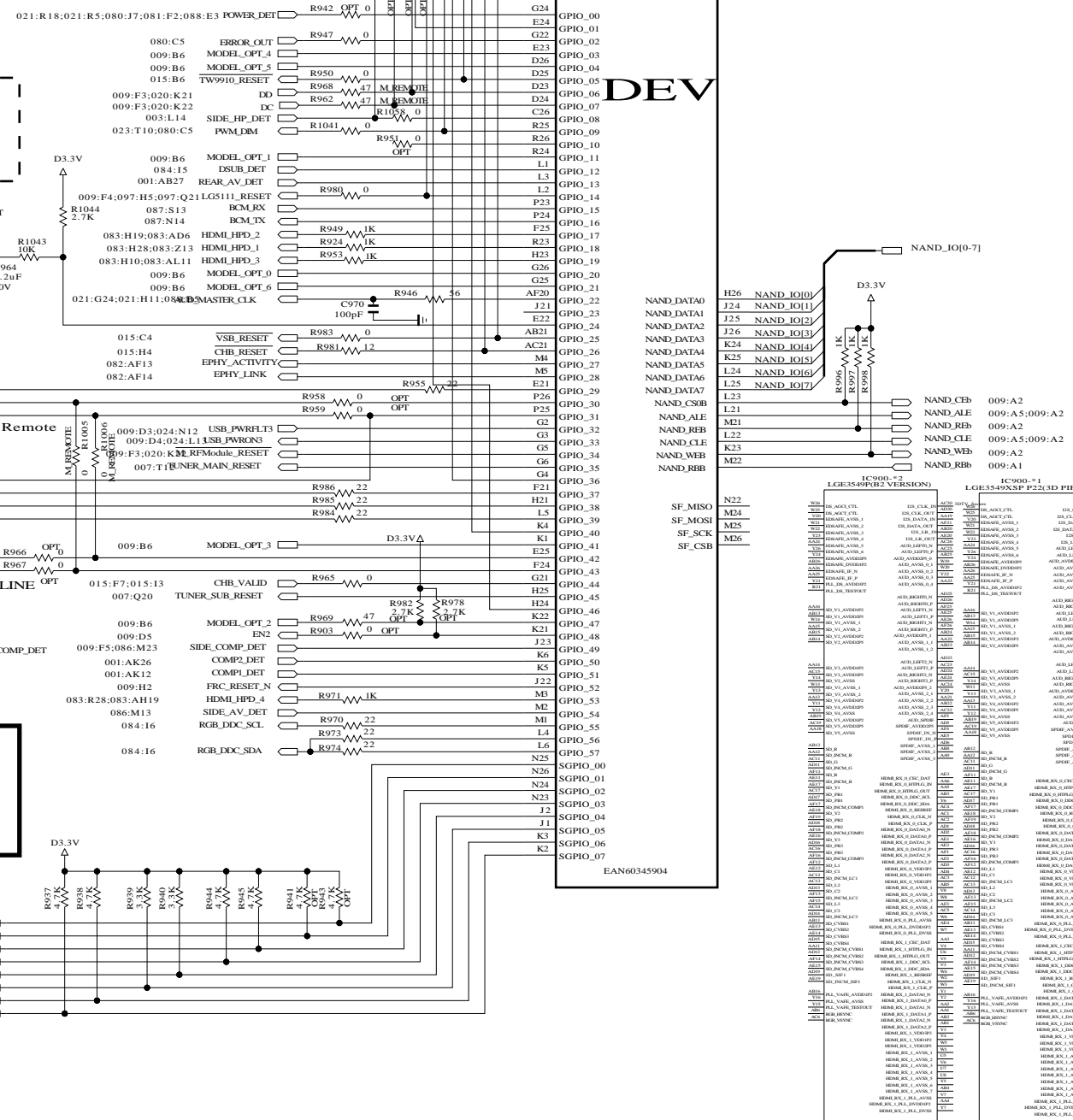
NVRAM



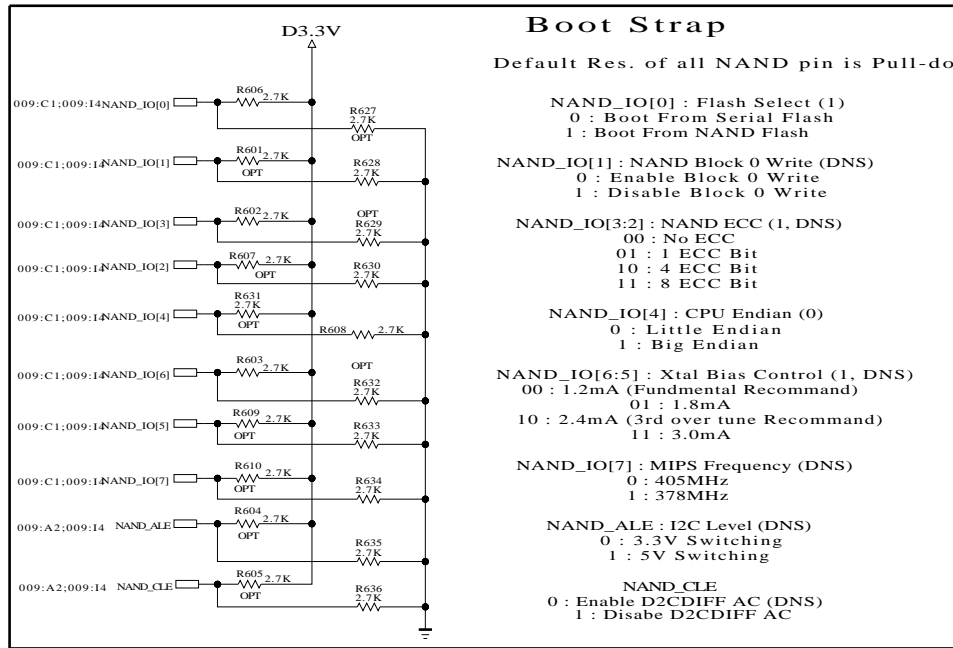
BCM3549 GPIO

IC900

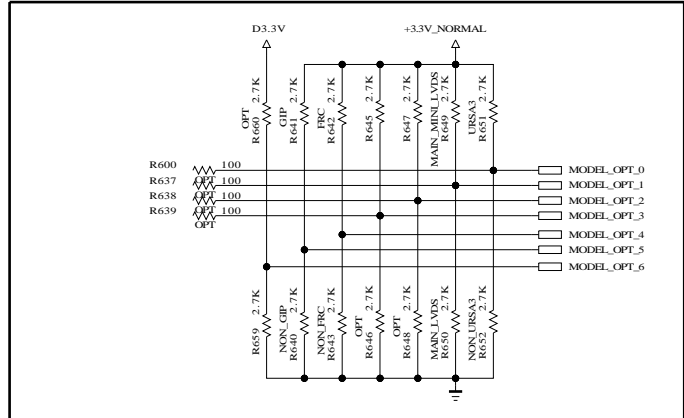
LGE3549XQ (B2 VERSION)



BCM3549 Boot Strap



MODEL OPTION



PIN NAME	PIN NO.	HIGH	LOW
MODEL_OPT_0	G26	URSA3	NON_URSA3
MODEL_OPT_1	R24	MAIN_MIN_LVDS	MAIN_LVDS
MODEL_OPT_2	K22	DDR-512M	DDR-256M
MODEL_OPT_3	K1	FHD	HD
MODEL_OPT_4	E23	FRC	NON_FRC
MODEL_OPT_5	D26	GIP	NON_GIP
MODEL_OPT_6	G25	OLED	NON_OLED

*MODEL_OPT_0 & MODEL_OPT_4 REFER TO THIS OPTION

MODEL_OPT_0	MODEL_OPT_4
LOW	LOW
HIGH	LOW
LOW	HIGH
HIGH	HIGH

MODEL_OPT_0	MODEL_OPT_4
LOW	NO FRC
HIGH	URSA3 Internal
LOW	URSA3 External
HIGH	PWIZ Panel T-con with LG FRC

I2C MAP

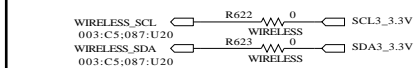
* I2C_0 : AT TUNER(C2,10) / CHB TUNER

* I2C_1 : MICOM(52) / NTP7000(54) / URSA3(B4)

* I2C_2 : HDMI SW(C0) / VIDEO ENC. / VSB DEMOD.CH BLOWSER, SUB AMP

* I2C_3 : NVRAM(A8) / LGS111(1E) / P-GAMMA(E8) / WIRELESS / MEMC_240

Wireless I2C connection with I2C_3
Address : 0X20



#CAUTION
Location number is mixed
600 & 900 & 1000

THE SYMBOL MARK OF THIS SCHEMATIC DIAGRAM INCORPORATES SPECIAL FEATURES IMPORTANT FOR PROTECTION FROM X-RADIATION. FILRE AND ELECTRICAL SHOCK HAZARDS, WHEN SERVICING IF IS ESSENTIAL THAT ONLY MANUFACTURES SPECIFIED PARTS BE USED FOR THE CRITICAL COMPONENTS IN THE SYMBOL MARK OF THE SCHEMATIC.

SECRET
LGElectronics

LG ELECTRONICS

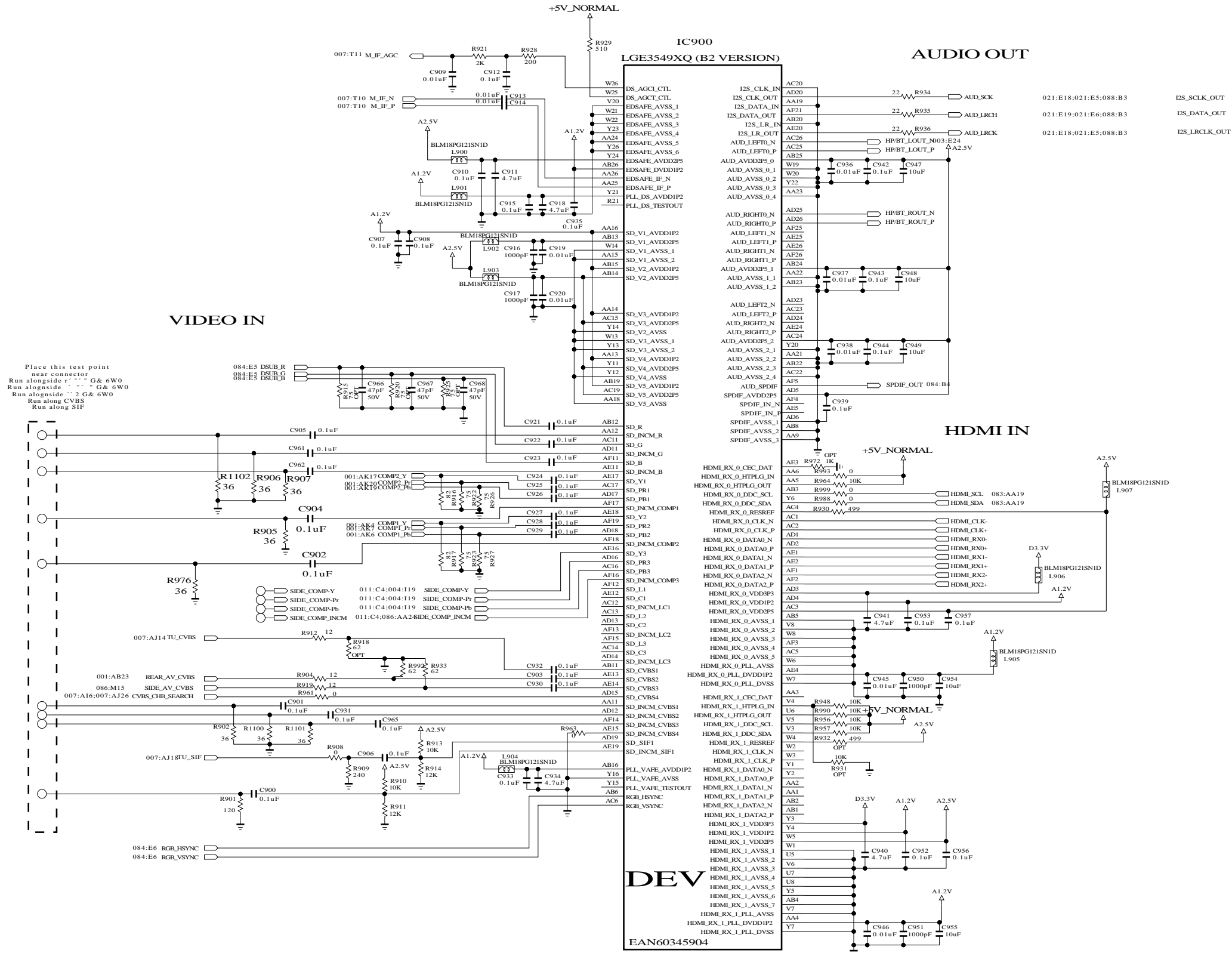
MODEL
BLOCK

GP2_BCM_ATS
BCM-BOOT/FLASH/GPIO

DATE
SHEET

09/10/x x
9 / 100

BCM3549 VIDEO



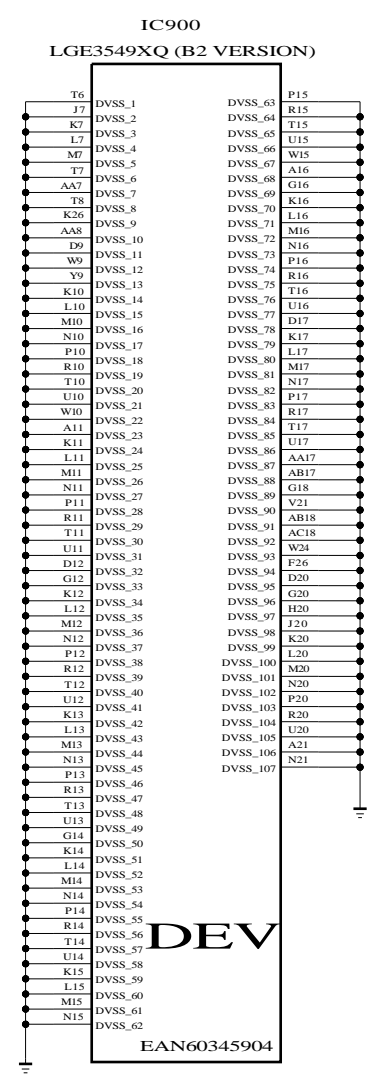
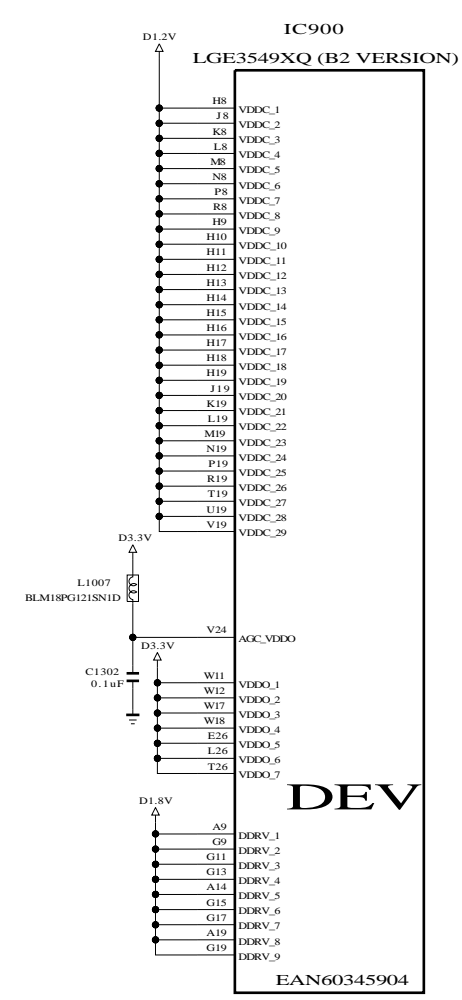
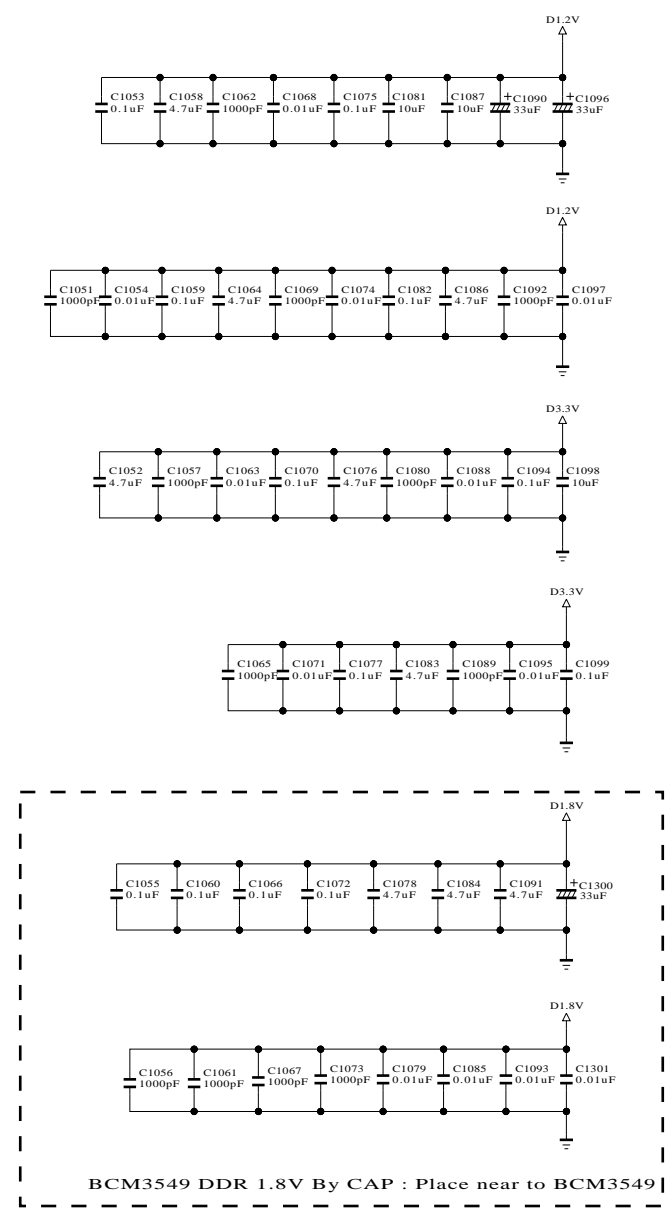
THE SYMBOL MARK OF THIS SCHEMATIC DIAGRAM INCORPORATES SPECIAL FEATURES IMPORTANT FOR PROTECTION FROM X-RADIATION. FILRE AND ELECTRICAL SHOCK HAZARDS, WHEN SERVICING IF IS ESSENTIAL THAT ONLY MANUFACTURES SPECIFIED PARTS BE USED FOR THE CRITICAL COMPONENTS IN THE SYMBOL MARK OF THE SCHEMATIC.

SECRET
 LGElectronics



MODEL	GP2_BCM_ATSC	DATE	09/10/x x
BLOCK	BCM-VIDEO	SHEET	11 / 100

BCM3549 POWER



THE SYMBOL MARK OF THIS SCHEMATIC DIAGRAM INCORPORATES SPECIAL FEATURES IMPORTANT FOR PROTECTION FROM X-RADIATION. FILRE AND ELECTRICAL SHOCK HAZARDS, WHEN SERVICING IF IS ESSENTIAL THAT ONLY MANUFACTURES SPECIFIED PARTS BE USED FOR THE CRITICAL COMPONENTS IN THE SYMBOL MARK OF THE SCHEMATIC.

SECRET
LGElectronics

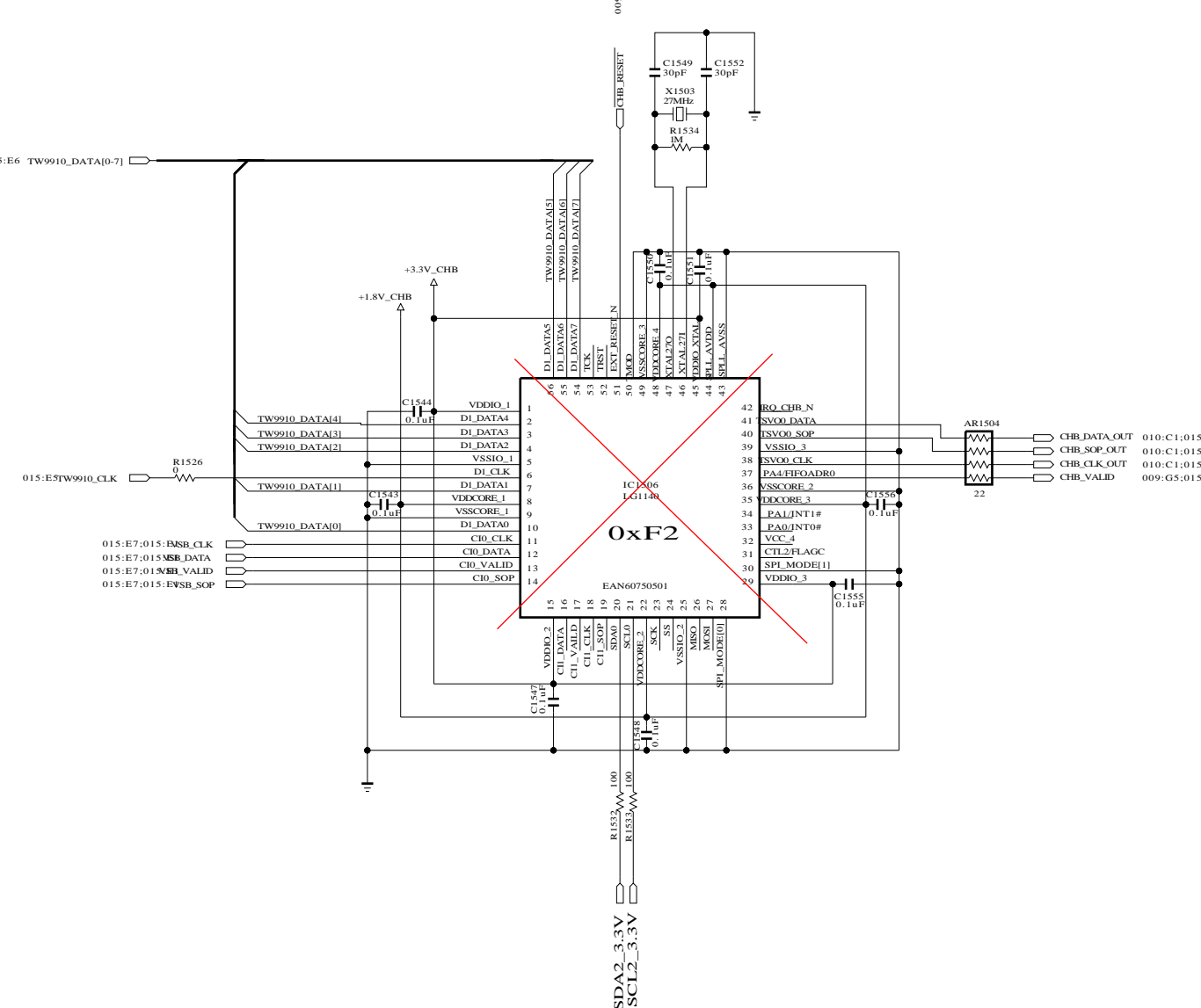
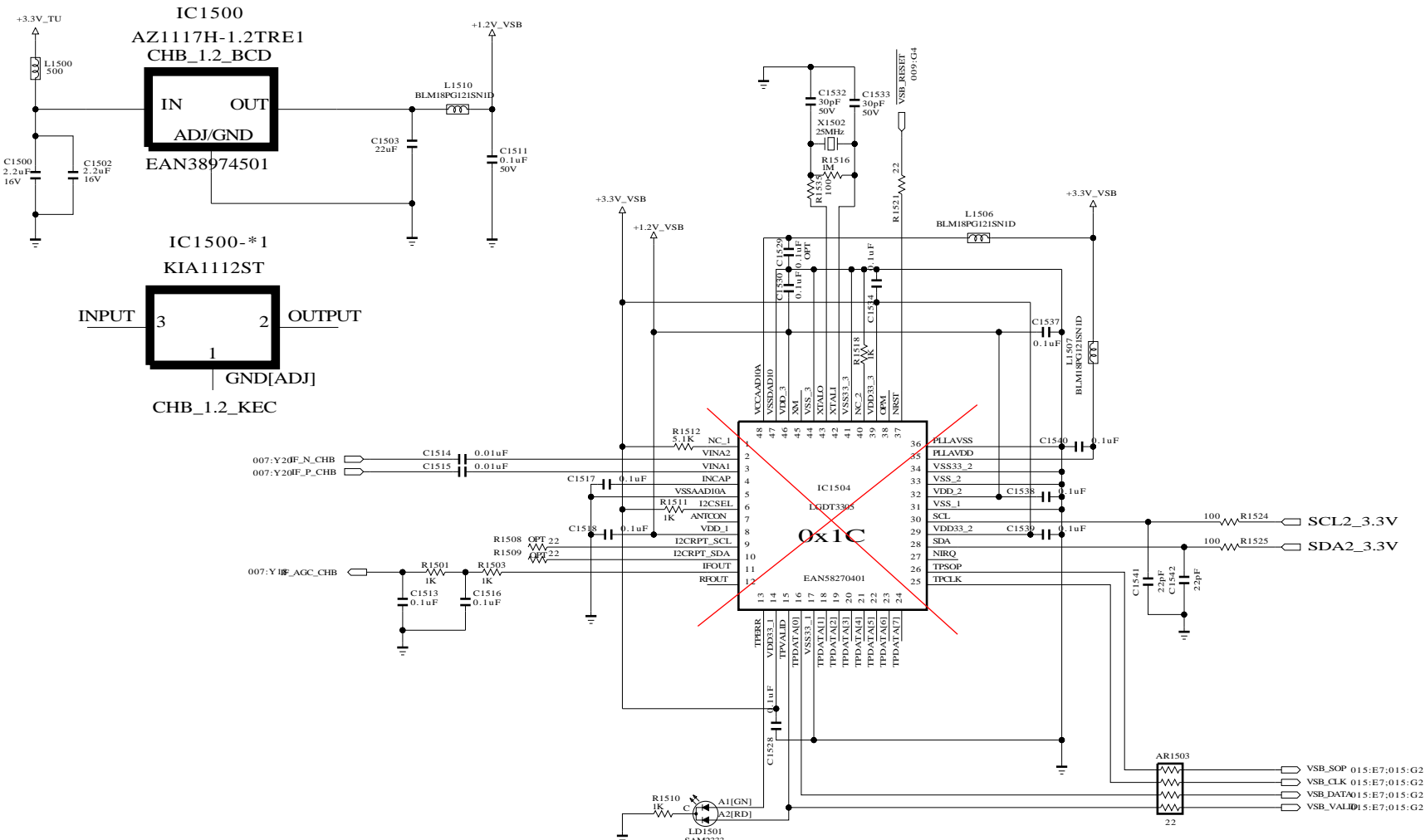
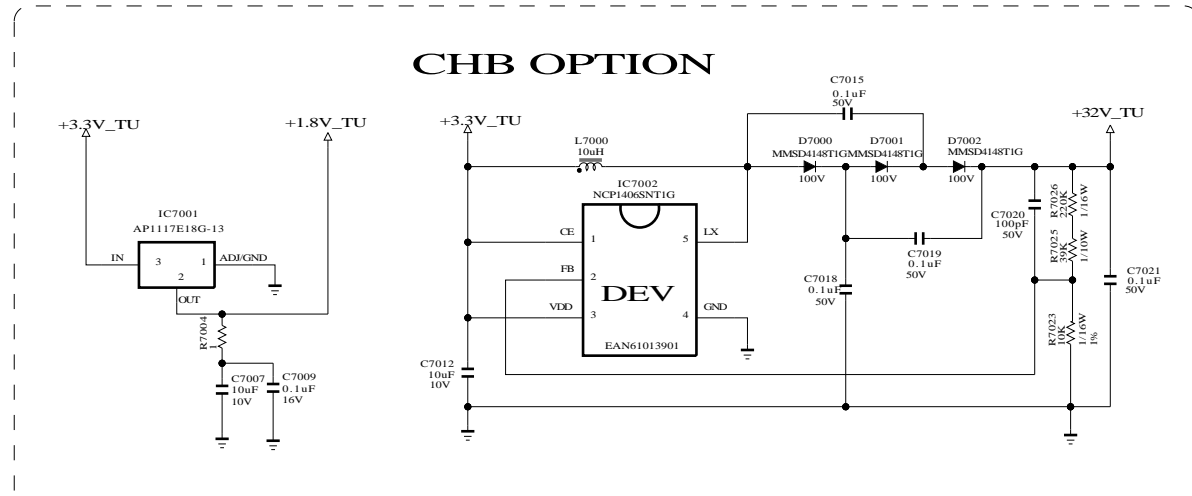
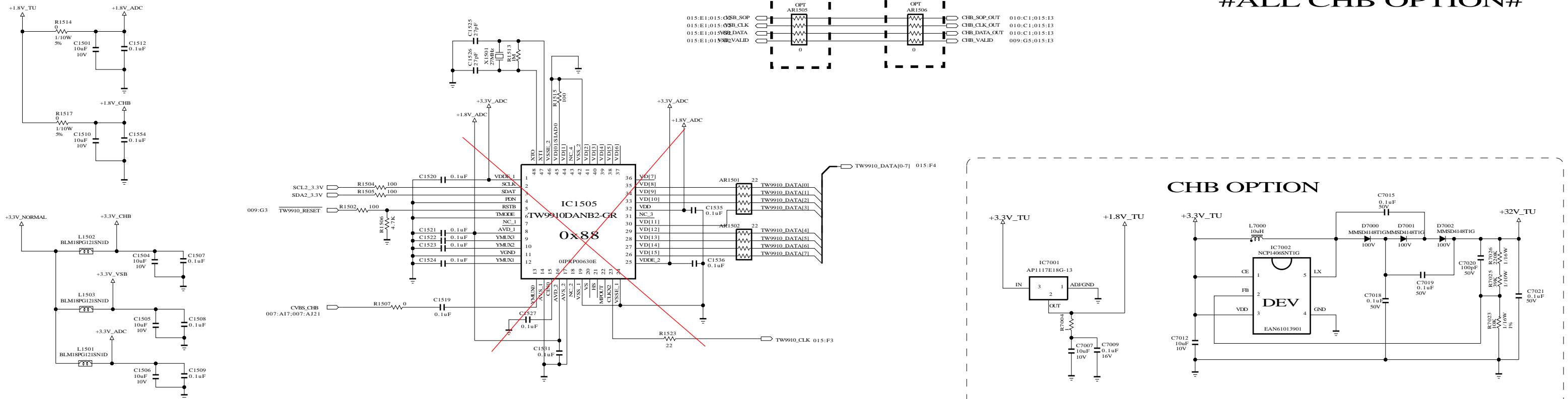
JANG JAE HO

LG ELECTRONICS

MODEL	GP2_BCM_ATS	DATE	09/04/xx
BLOCK	BCM-POWER	SHEET	13 / 100

Channel Browser

#ALL CHB OPTION#



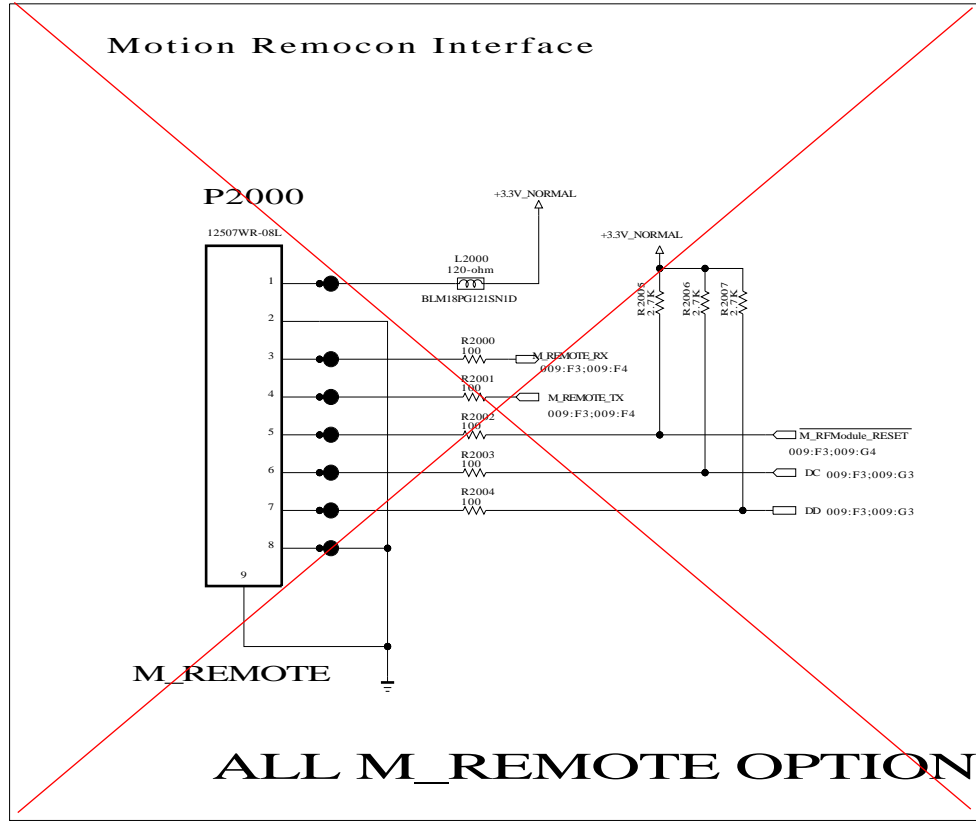
THE SYMBOL MARK OF THIS SCHEMATIC DIAGRAM INCORPORATES SPECIAL FEATURES IMPORTANT FOR PROTECTION FROM X-RADIATION, FILTRE AND ELECTRICAL SHOCK HAZARDS, WHEN SERVICING IF IS ESSENTIAL THAT ONLY MANUFACTURES SPECIFIED PARTS BE USED FOR THE CRITICAL COMPONENTS IN THE SYMBOL MARK OF THE SCHEMATIC.

SECRET
LGElectronics



MODEL	GP2_BCM_ATSC	DATE	09.10
BLOCK	CHB	SHEET	15 / 100

Motion Remote controller



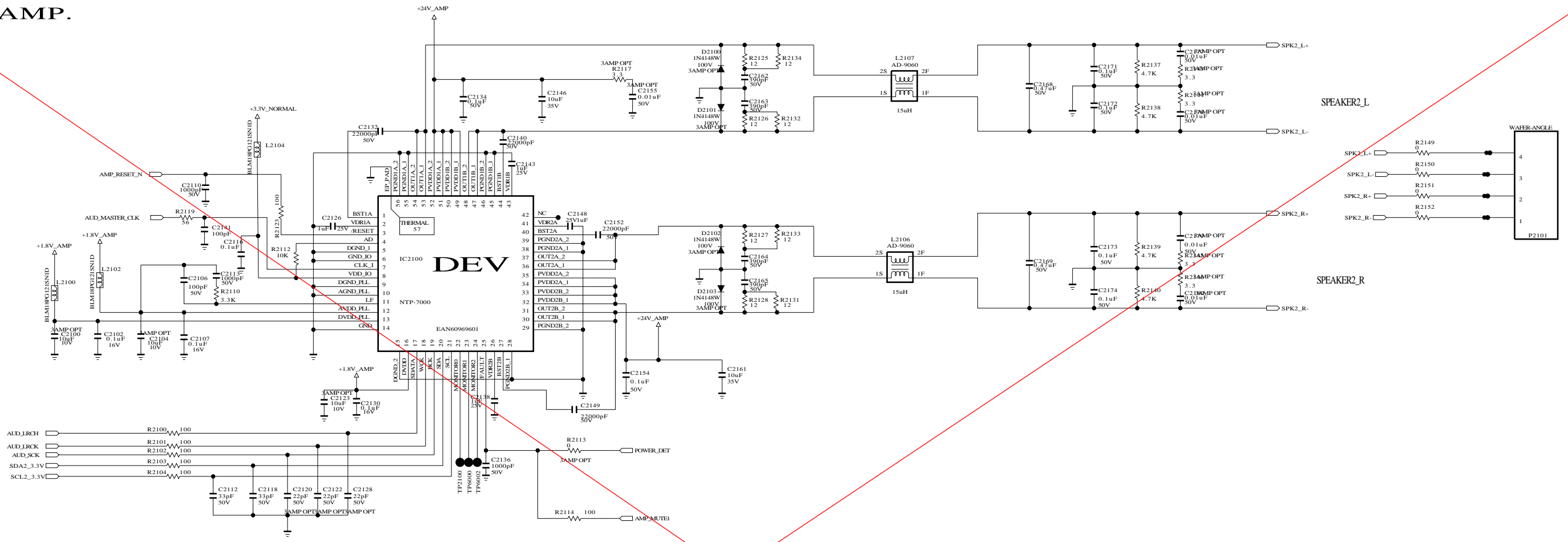
THE SYMBOL MARK OF THIS SCHEMATIC DIAGRAM INCORPORATES SPECIAL FEATURES IMPORTANT FOR PROTECTION FROM X-RADIATION. FILRE AND ELECTRICAL SHOCK HAZARDS, WHEN SERVICING IF IS ESSENTIAL THAT ONLY MANUFACTURES SPECIFIED PARTS BE USED FOR THE CRITICAL COMPONENTS IN THE SYMBOL MARK OF THE SCHEMATIC.

SECRET
LGElectronics

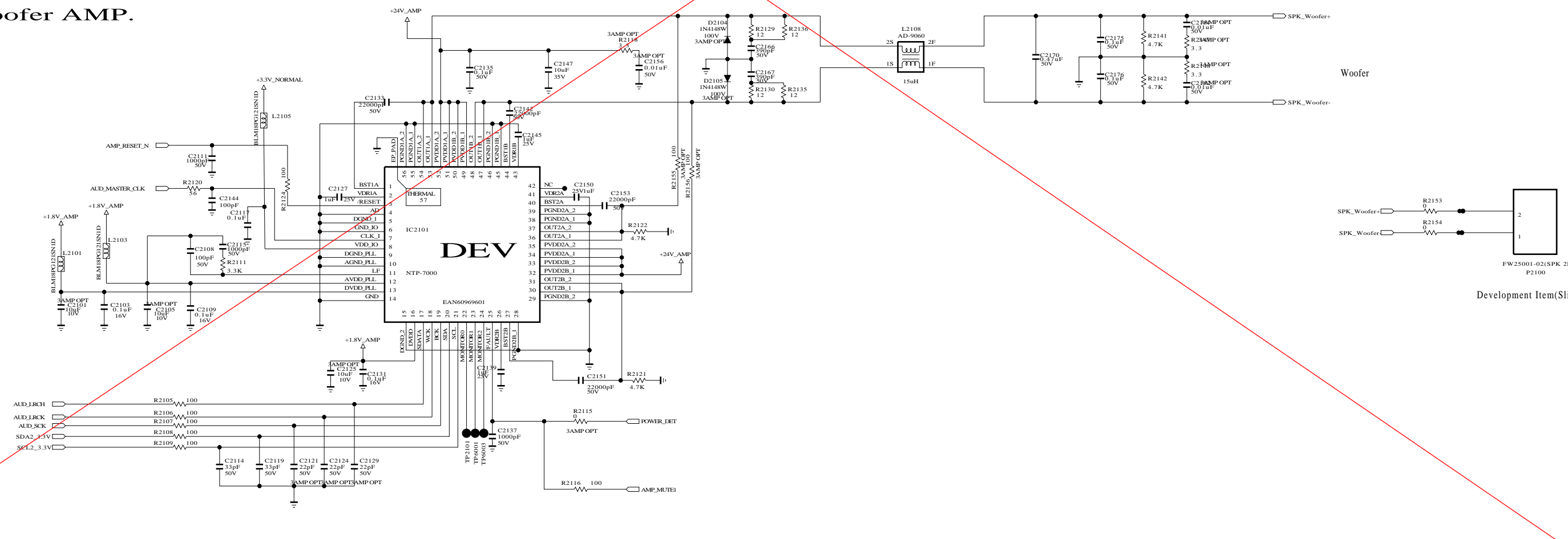
LG ELECTRONICS

MODEL	GP2_BCM_ATSC	DATE	09/10/xx
BLOCK	MOTION_REMOCO	SHEET	20 / 100

Sub AMP.



Woofers AMP.



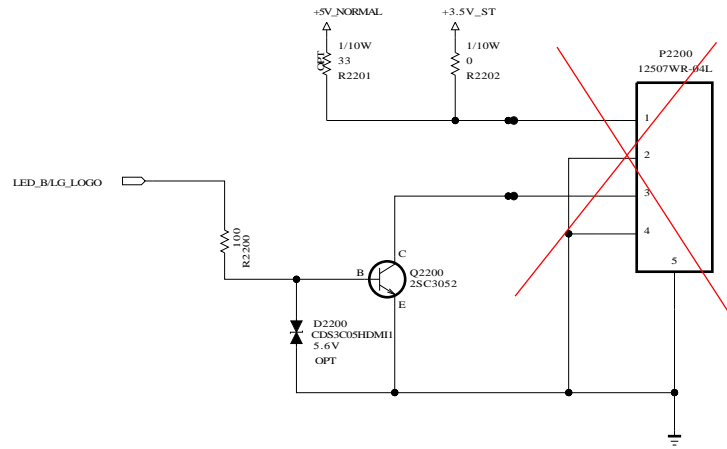
THE SYMBOL MARK OF THIS SCHEMATIC DIAGRAM INCORPORATES SPECIAL FEATURES IMPORTANT FOR PROTECTION FROM X-RADIATION. FILRE AND ELECTRICAL SHOCK HAZARDS, WHEN SERVICING IF IS ESSENTIAL THAT ONLY MANUFACTURES SPECIFIED PARTS BE USED FOR THE CRITICAL COMPONENTS IN THE SYMBOL MARK OF THE SCHEMATIC.


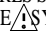
SECRET
LGElectronics



MODEL	GP2_BCM_ATSC	DATE	09.10
BLOCK	AMP_SUB_NTP	SHEET	21 / 100

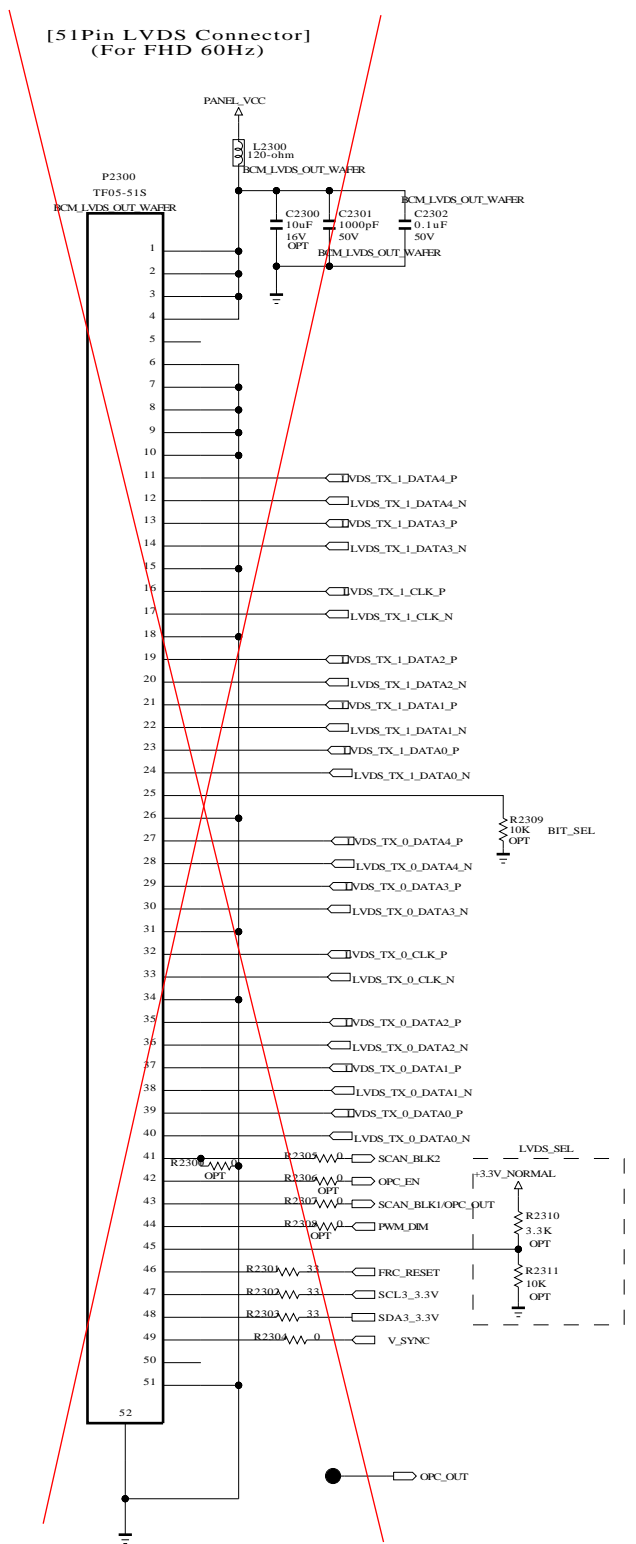
LG LOGO FOR LE9500



THE  SYMBOL MARK OF THIS SCHEMATIC DIAGRAM INCORPORATES SPECIAL FEATURES IMPORTANT FOR PROTECTION FROM X-RADIATION. FILRE AND ELECTRICAL SHOCK HAZARDS, WHEN SERVICING IF IS ESSENTIAL THAT ONLY MANUFACTURES SPECIFIED PARTS BE USED FOR THE CRITICAL COMPONENTS IN THE  SYMBOL MARK OF THE SCHEMATIC.

SECRET	 LG ELECTRONICS
LGElectronics	

MODEL	GP2_BCM_ATSC	DATE	09/10/xx
BLOCK	LG_LOGO_LE9500	SHEET	22 / 100



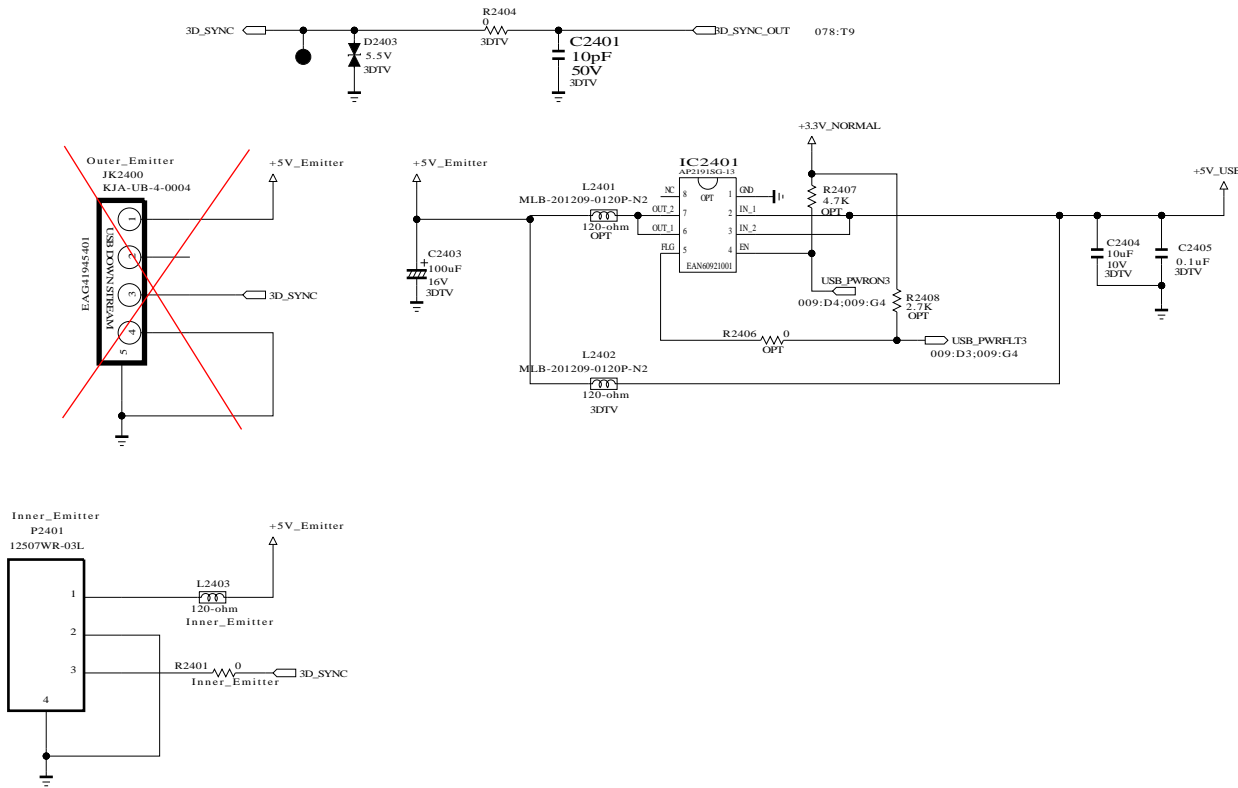
THE SYMBOL MARK OF THIS SCHEMATIC DIAGRAM INCORPORATES SPECIAL FEATURES IMPORTANT FOR PROTECTION FROM X-RADIATION. FILRE AND ELECTRICAL SHOCK HAZARDS, WHEN SERVICING IF IS ESSENTIAL THAT ONLY MANUFACTURES SPECIFIED PARTS BE USED FOR THE CRITICAL COMPONENTS IN THE SYMBOL MARK OF THE SCHEMATIC.

SECRET
LGElectronics



MODEL	GP2_BCM_ATSC	DATE	09.10
BLOCK	LVDS_LE9500	SHEET	23 / 100

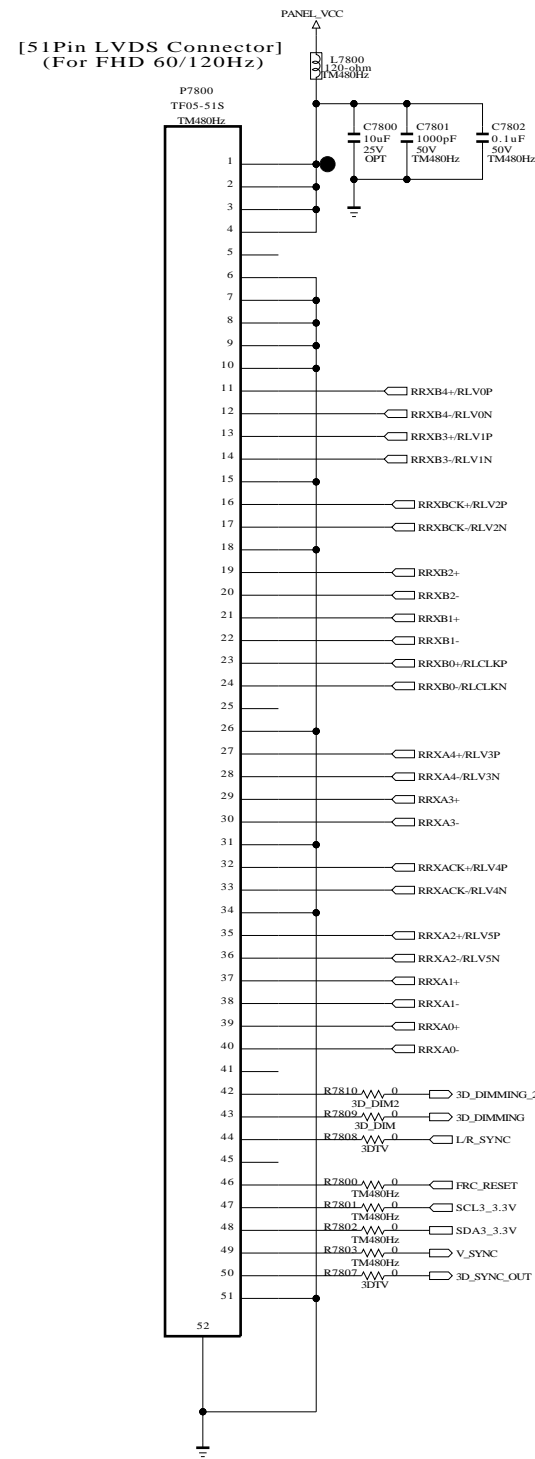
SIDE IR Emitter sync USB JACK



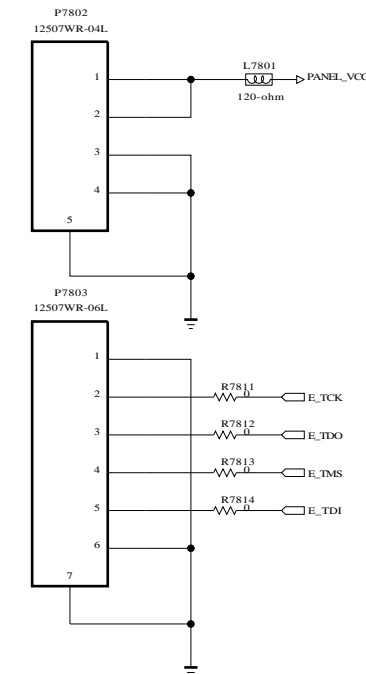
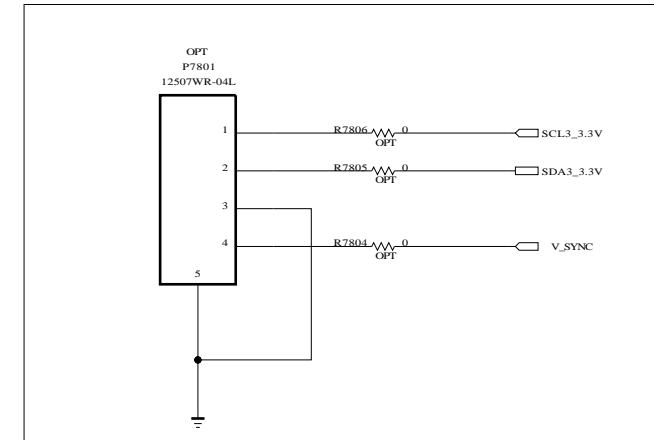
THE SYMBOL MARK OF THIS SCHEMATIC DIAGRAM INCORPORATES SPECIAL FEATURES IMPORTANT FOR PROTECTION FROM X-RADIATION. FILRE AND ELECTRICAL SHOCK HAZARDS. WHEN SERVICING IF IS ESSENTIAL THAT ONLY MANUFACTURES SPECIFIED PARTS BE USED FOR THE CRITICAL COMPONENTS IN THE SYMBOL MARK OF THE SCHEMATIC.

SECRET	
LGElectronics	

MODEL	GP2_BCM_ATSC	DATE	09/11/18
BLOCK	3D_IR_GENDER	SHEET	24 / 100



I2C_#3 Check(LG5111, LG1120, etc)



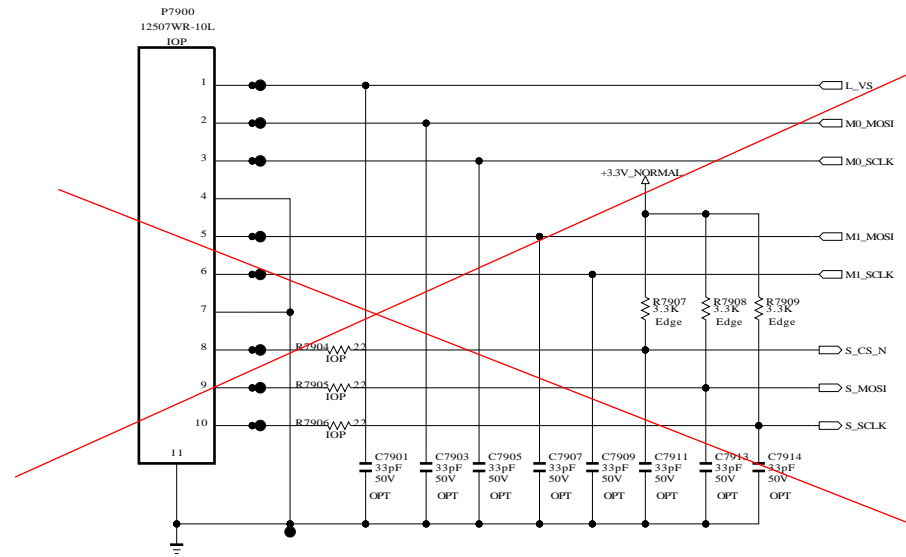
THE SYMBOL MARK OF THIS SCHEMATIC DIAGRAM INCORPORATES SPECIAL FEATURES IMPORTANT FOR PROTECTION FROM X-RADIATION. FILRE AND ELECTRICAL SHOCK HAZARDS, WHEN SERVICING IF IS ESSENTIAL THAT ONLY MANUFACTURES SPECIFIED PARTS BE USED FOR THE CRITICAL COMPONENTS IN THE SYMBOL MARK OF THE SCHEMATIC.

SECRET
LGElectronics

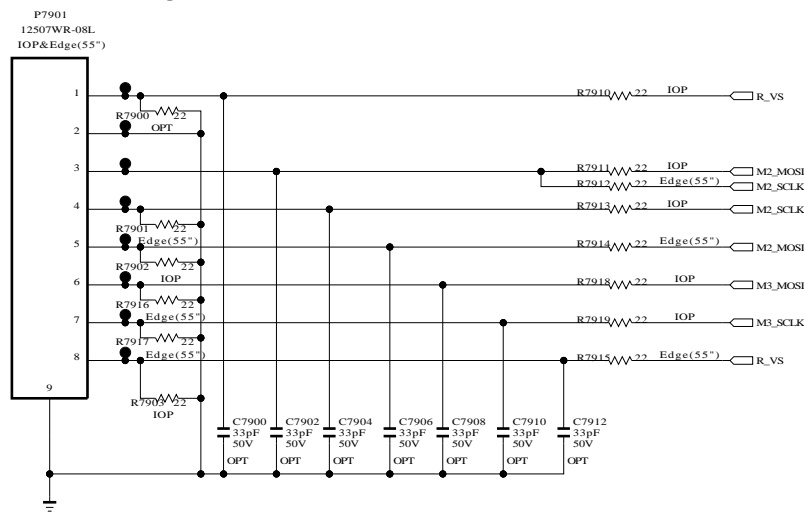
LG ELECTRONICS

MODEL	COMMON	DATE	09/10/xx
BLOCK	LG5111 60Hz LVDS	SHEET	78 / 100

[To MASTER LED DRIVER]



[To SLAVE LED DRIVER]



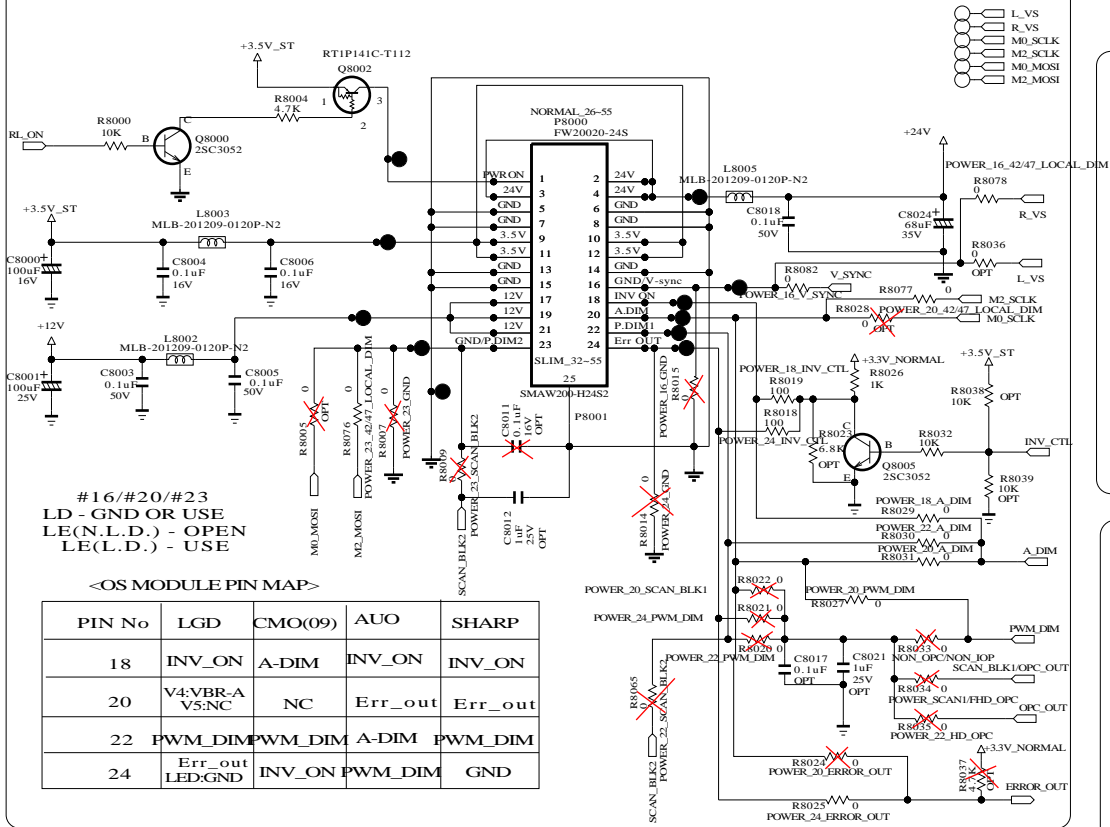
THE SYMBOL MARK OF THIS SCHEMATIC DIAGRAM INCORPORATES SPECIAL FEATURES IMPORTANT FOR PROTECTION FROM X-RADIATION. FILRE AND ELECTRICAL SHOCK HAZARDS, WHEN SERVICING IF IS ESSENTIAL THAT ONLY MANUFACTURES SPECIFIED PARTS BE USED FOR THE CRITICAL COMPONENTS IN THE SYMBOL MARK OF THE SCHEMATIC.

SECRET
LGElectronics

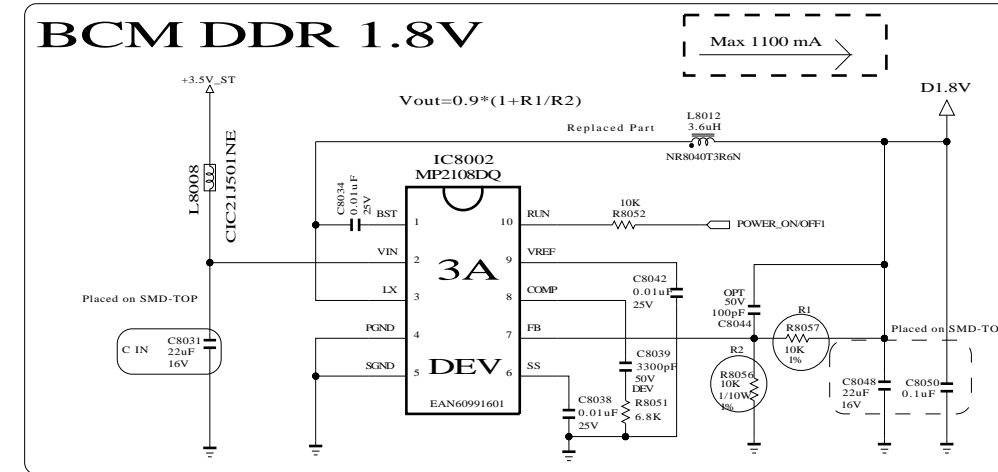
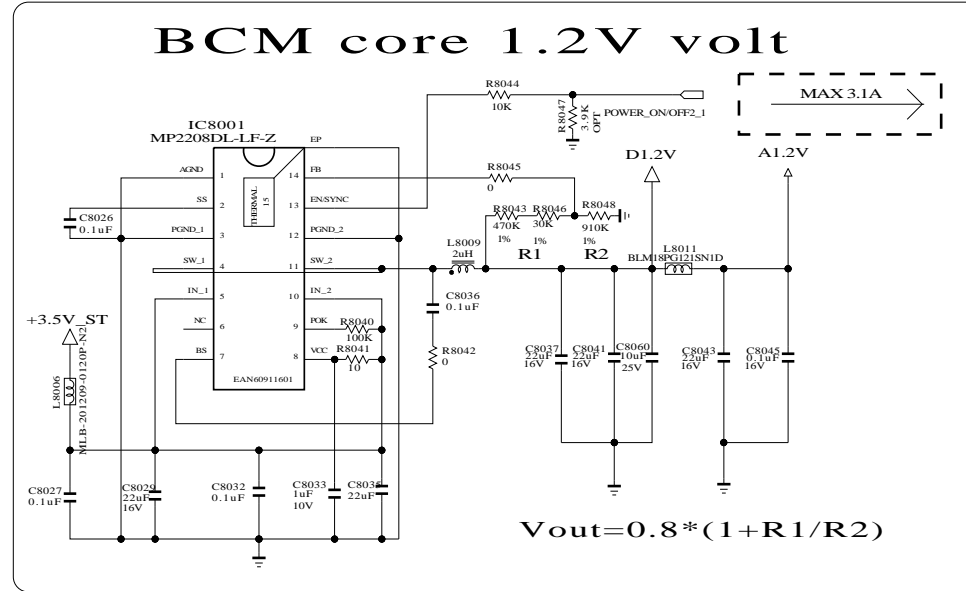
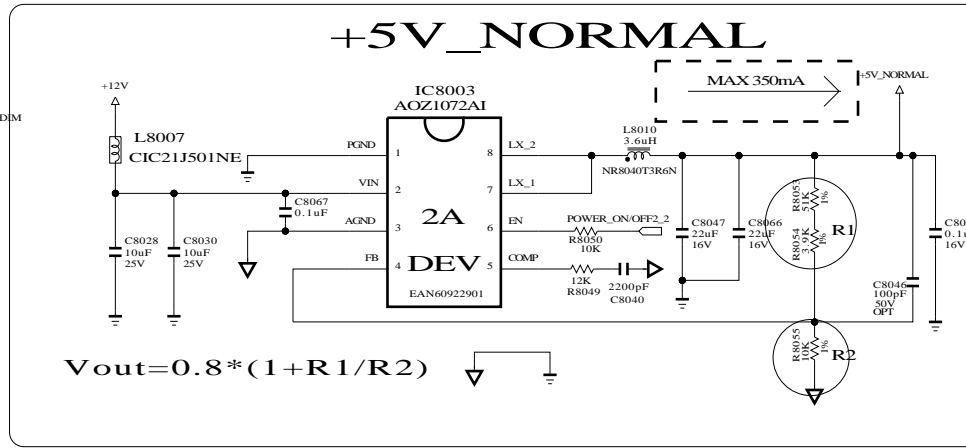
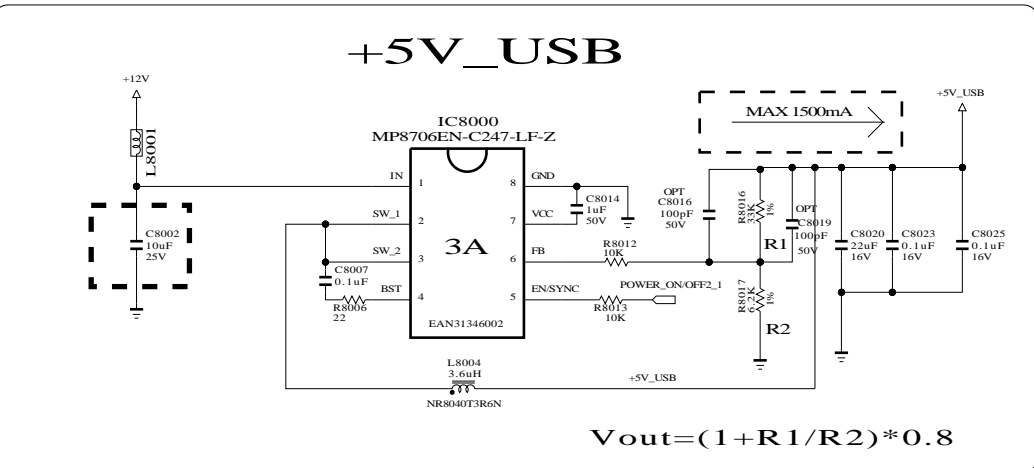
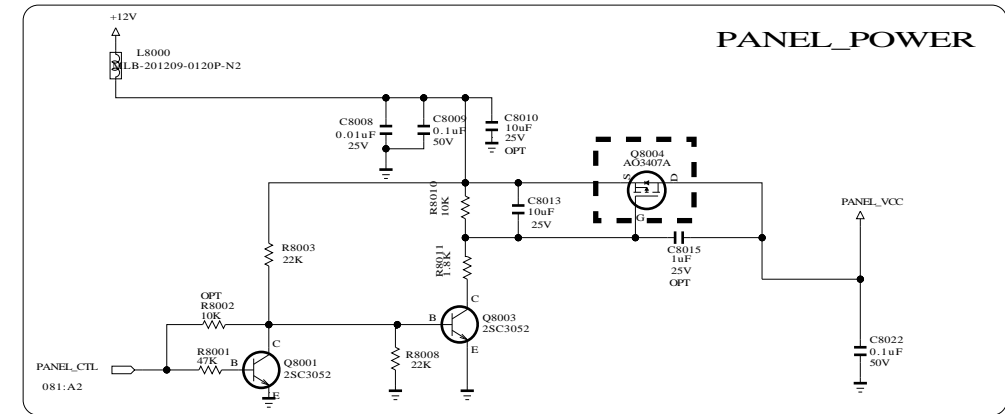


MODEL	GP2_Saturn7M	DATE	Ver. 1.0
BLOCK	Interface for LG511	SHEET	72 /

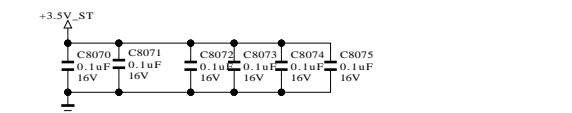
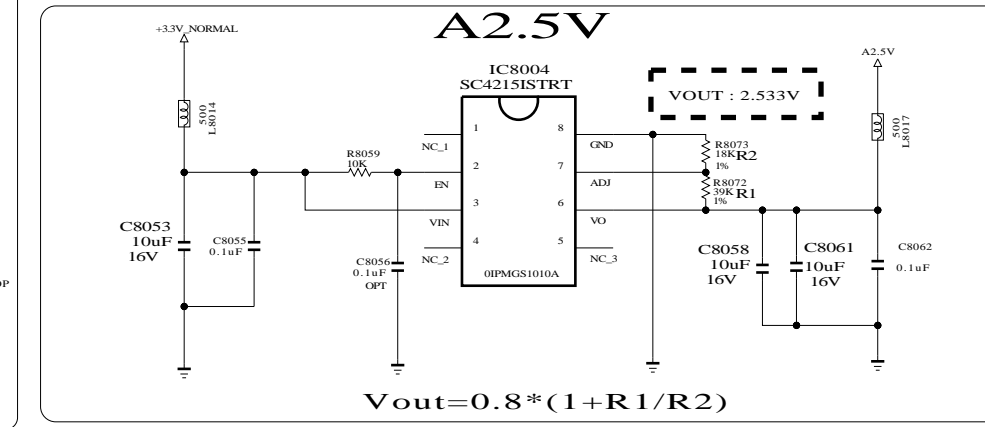
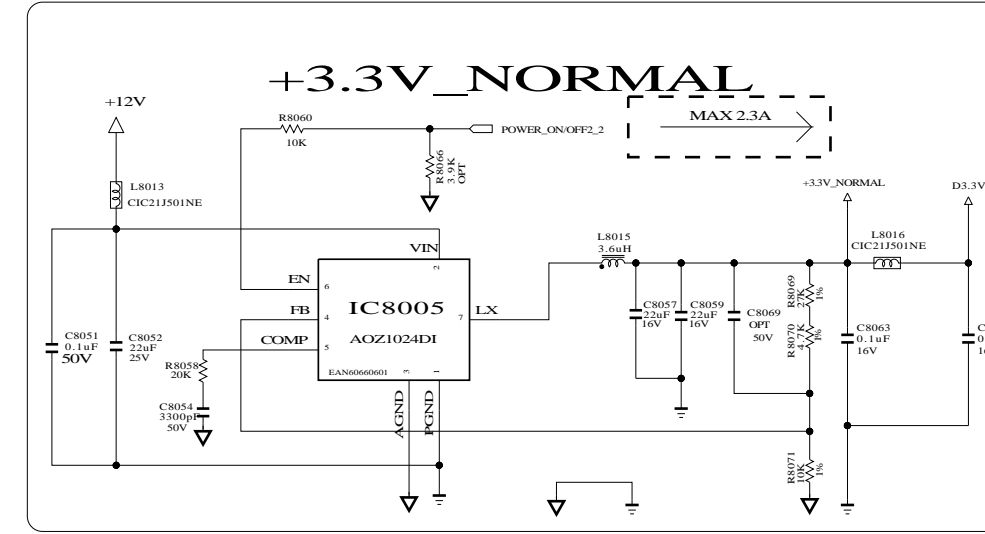
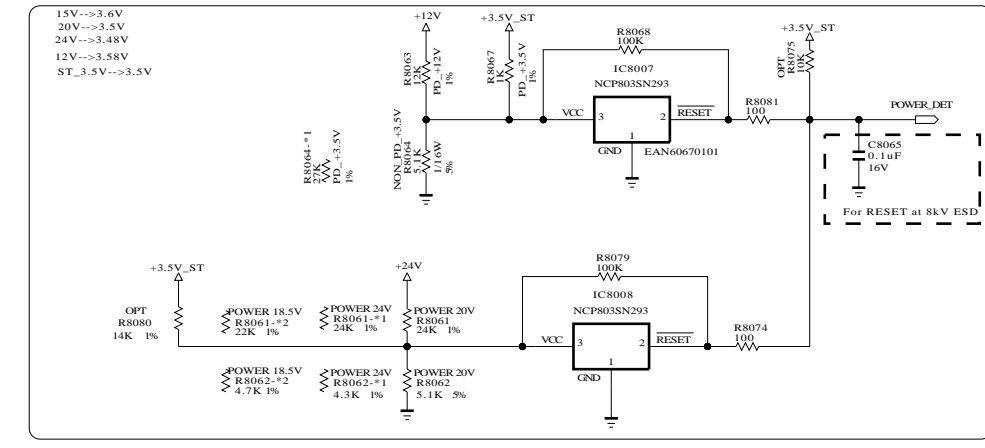
FROM LIPS & POWER B/D



CHECK PWR/MODULE PIN MAP



Power_DET

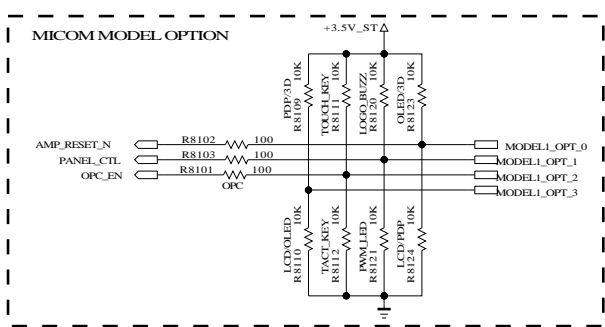
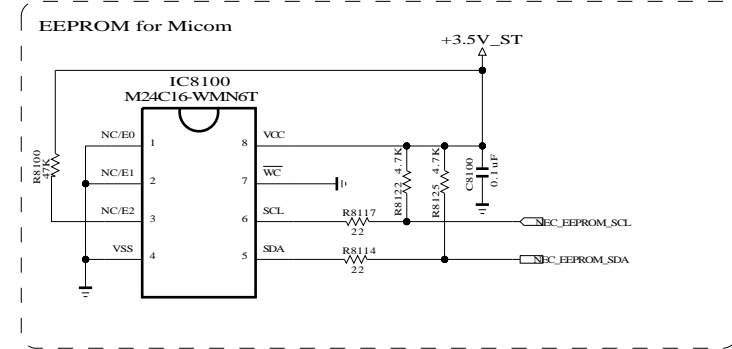
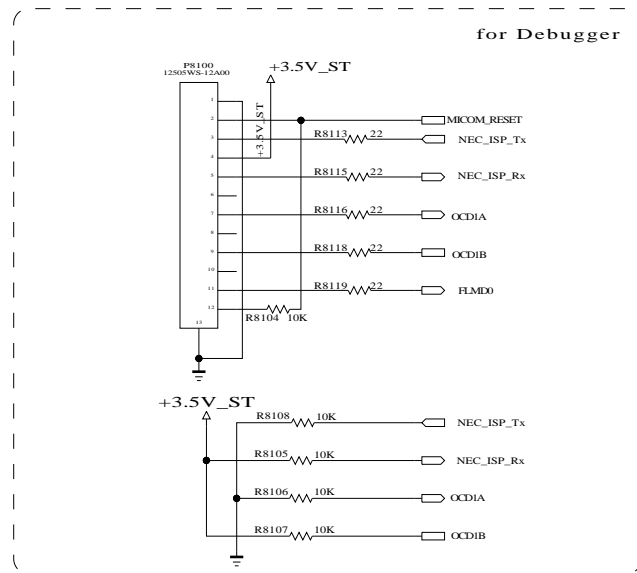


THE SYMBOL MARK OF THIS SCHEMATIC DIAGRAM INCORPORATES SPECIAL FEATURES IMPORTANT FOR PROTECTION FROM X-RADIATION. FILRE AND ELECTRICAL SHOCK HAZARDS, WHEN SERVICING IF IS ESSENTIAL THAT ONLY MANUFACTURES SPECIFIED PARTS BE USED FOR THE CRITICAL COMPONENTS IN THE SYMBOL MARK OF THE SCHEMATIC.

SECRET
LGElectronics



MODEL	COMMON	DATE	09/10/xx
BLOCK	POWER	SHEET	80 / 100

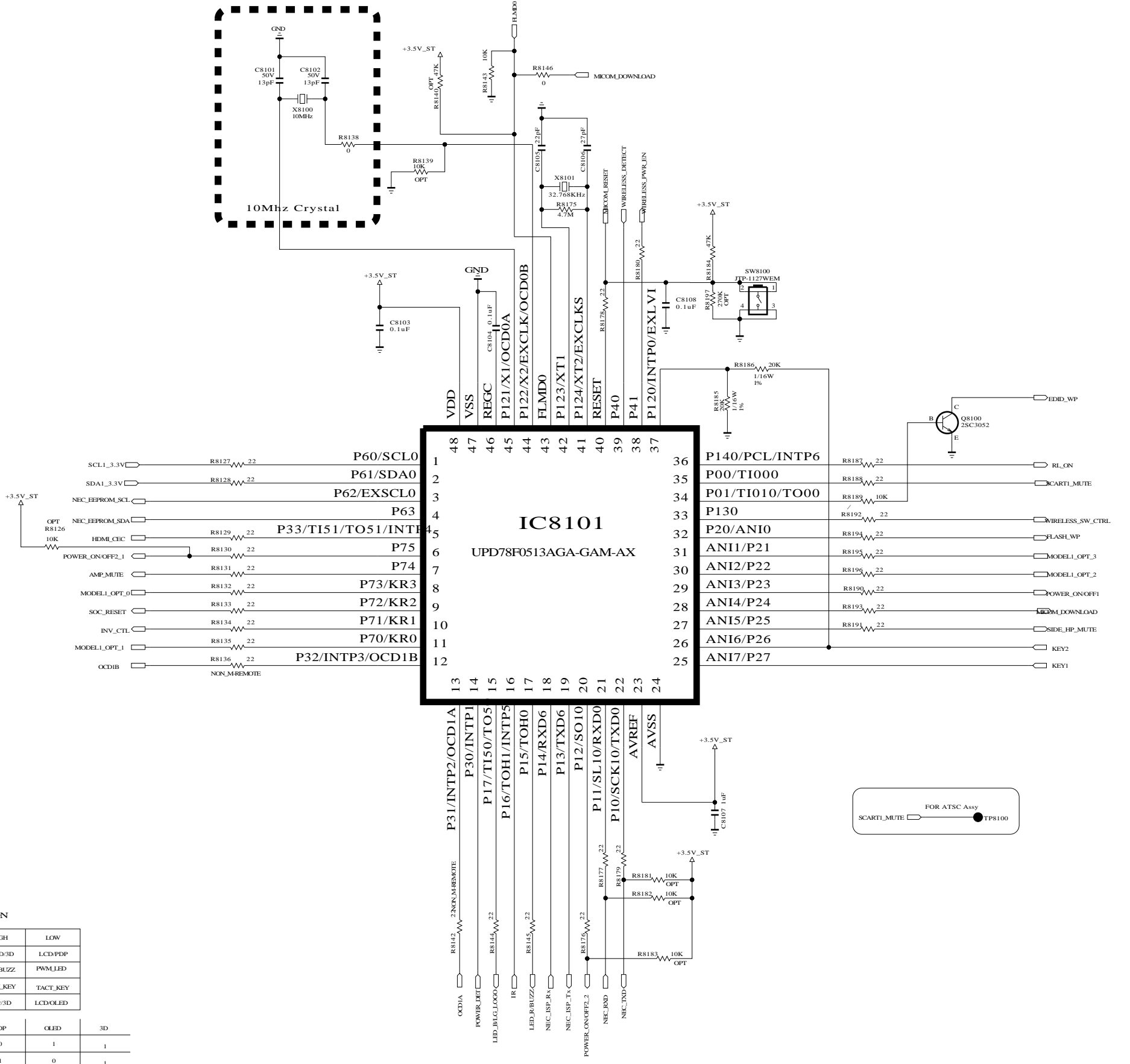


MODEL OPTION

PIN NAME	PIN NO.	HIGH	LOW
MODEL_OPT_0	8	OLED/3D	LCD/PDP
MODEL_OPT_1	11	LOGO_BUZZ	PWM_LED
MODEL_OPT_2	30	TOUCH_KEY	TACT_KEY
MODEL_OPT_3	31	PDP/3D	LCD/OLED

	LCD	PDP	OLED	3D
MODEL_OPT_0	0	0	1	1
MODEL_OPT_3	0	1	0	1

	LOW	LOW_SMALL	TBD	HIGH
MODEL_OPT_1	0	0	1	1
MODEL_OPT_2	0	1	0	1



FOR ATSC Assy
SCART1_MUTE TP8100

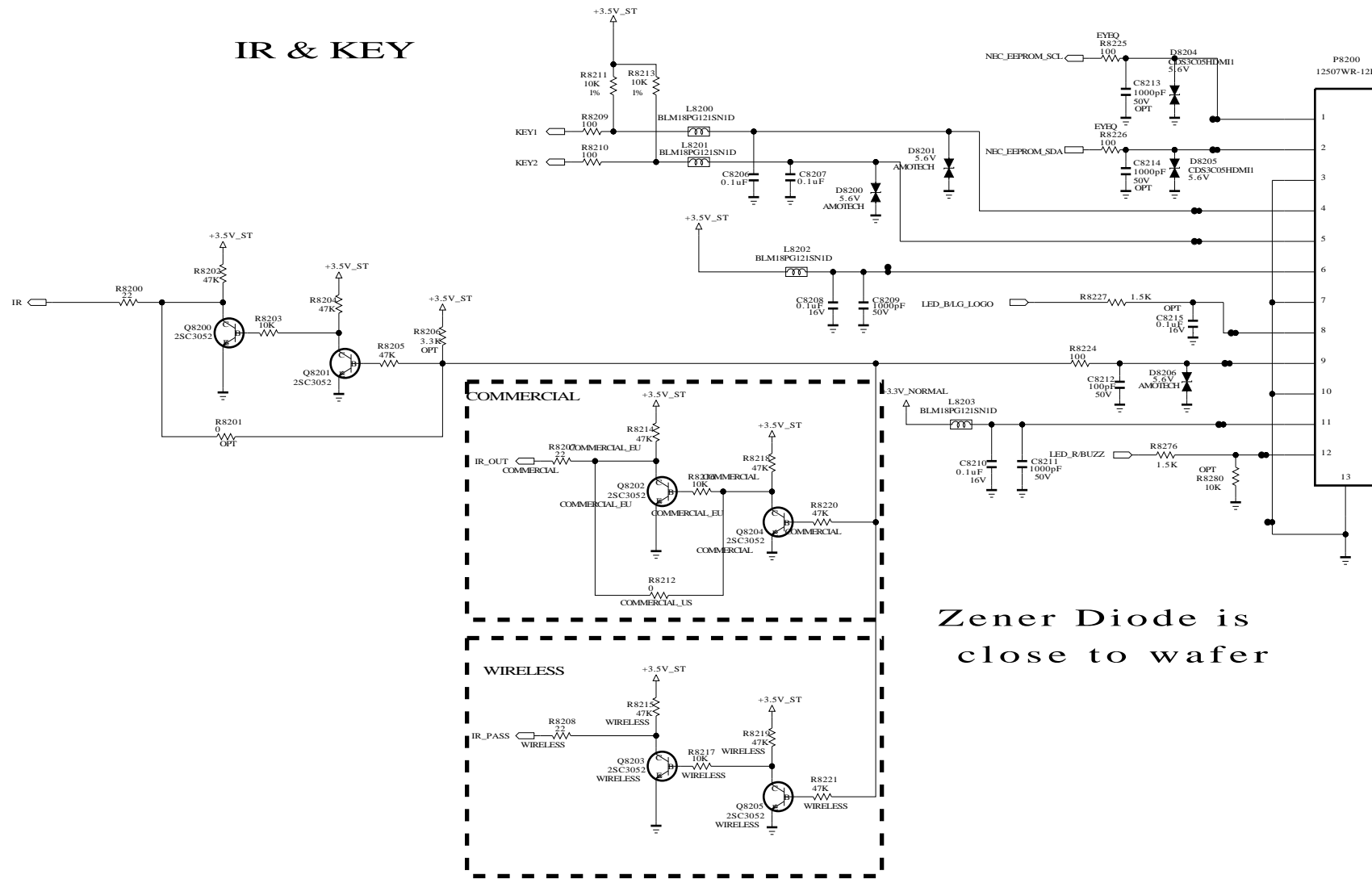
THE SYMBOL MARK OF THIS SCHEMATIC DIAGRAM INCORPORATES SPECIAL FEATURES IMPORTANT FOR PROTECTION FROM X-RADIATION. FILRE AND ELECTRICAL SHOCK HAZARDS, WHEN SERVICING IF IS ESSENTIAL THAT ONLY MANUFACTURES SPECIFIED PARTS BE USED FOR THE CRITICAL COMPONENTS IN THE SYMBOL MARK OF THE SCHEMATIC.

SECRET
LGElectronics

LG ELECTRONICS

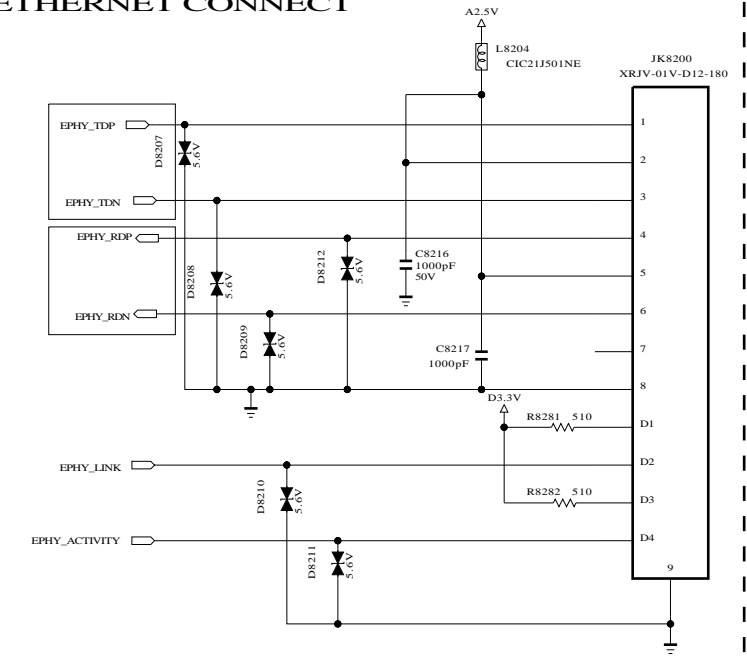
MODEL	GP2_Saturn7M	DATE	Ver. 1.4
BLOCK	MICOM	SHEET	5 /

IR & KEY



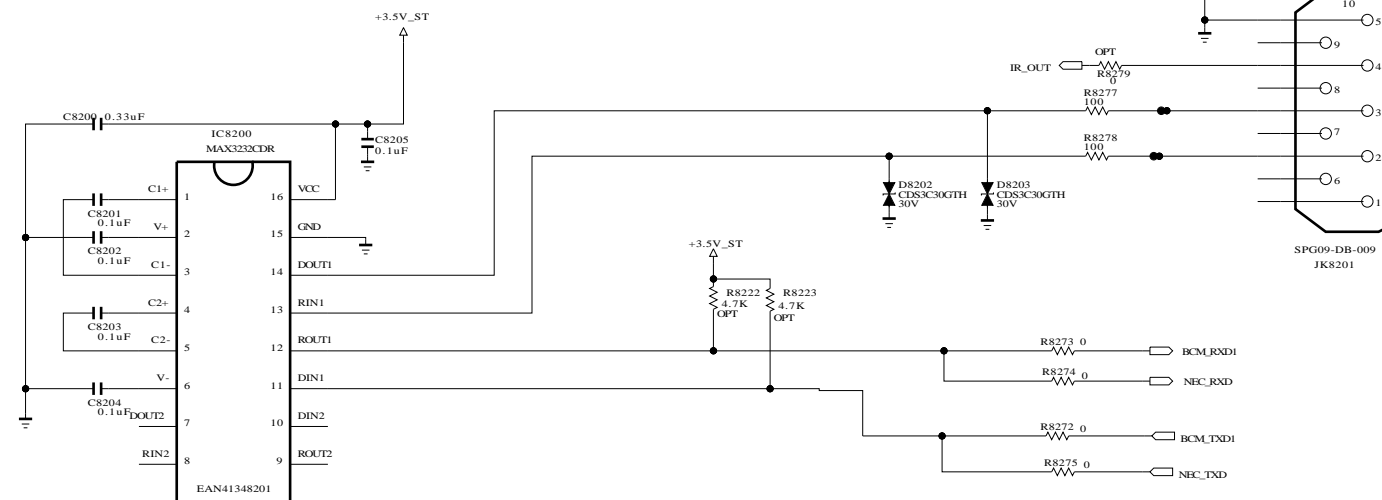
Zener Diode is close to wafer

ETHERNET CONNECT



Trace impedance : 100 ohm differential impedance to GND plane | 5 mils trace width with 7 mils air gap on P/N pair. Adjacent TX/RX differential pairs should be separated by more than 15 mils to each other

RS232C

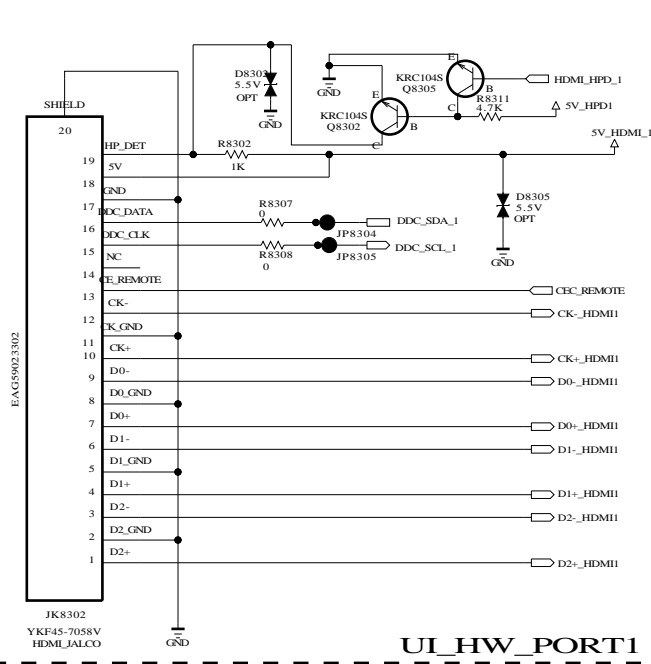


THE SYMBOL MARK OF THIS SCHEMATIC DIAGRAM INCORPORATES SPECIAL FEATURES IMPORTANT FOR PROTECTION FROM X-RADIATION. FILRE AND ELECTRICAL SHOCK HAZARDS, WHEN SERVICING IF IS ESSENTIAL THAT ONLY MANUFACTURES SPECIFIED PARTS BE USED FOR THE CRITICAL COMPONENTS IN THE SYMBOL MARK OF THE SCHEMATIC.

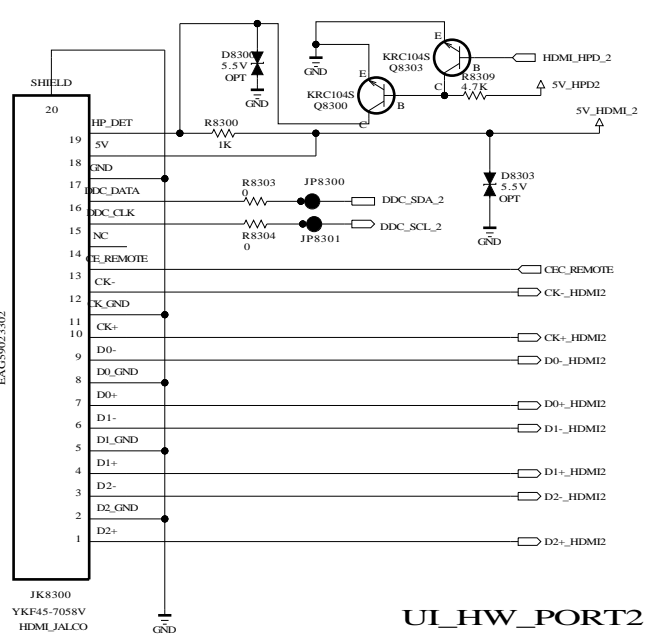
SECRET
LGElectronics



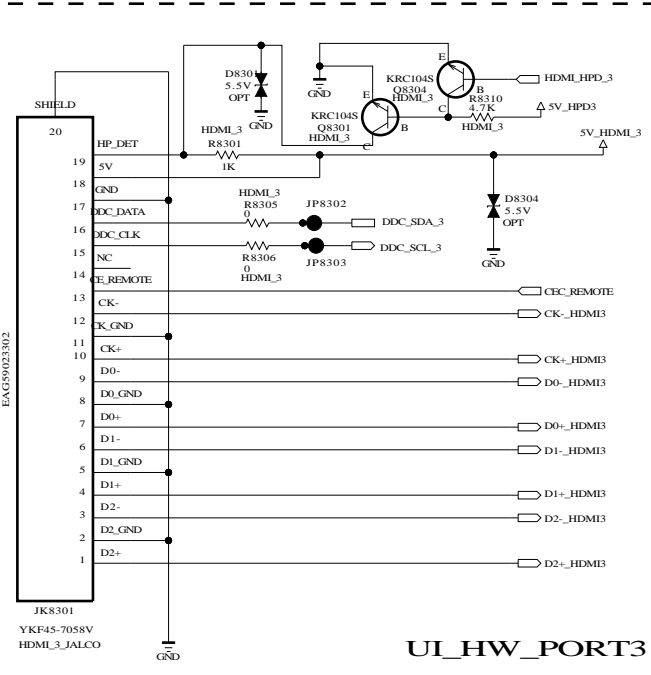
MODEL		DATE	
BLOCK		SHEET	



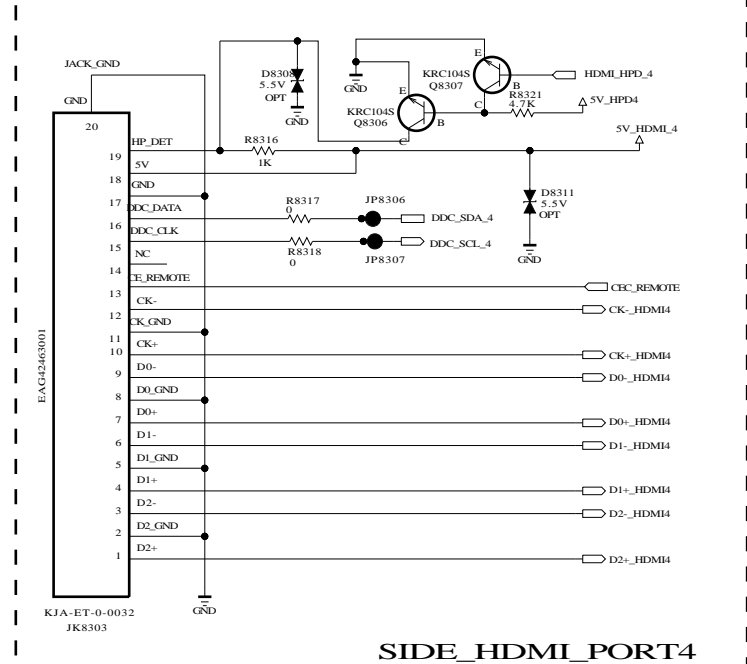
UI_HW_PORT1



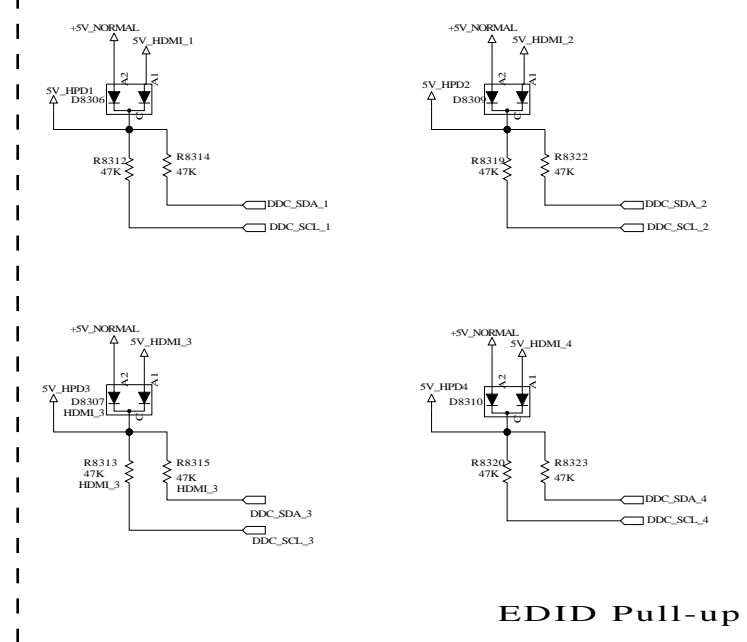
UI_HW_PORT2



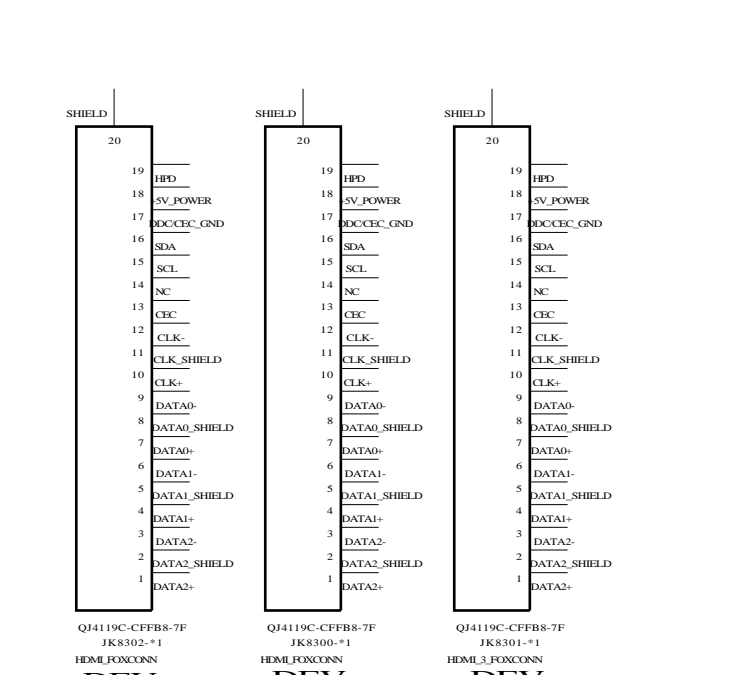
UI_HW_PORT3



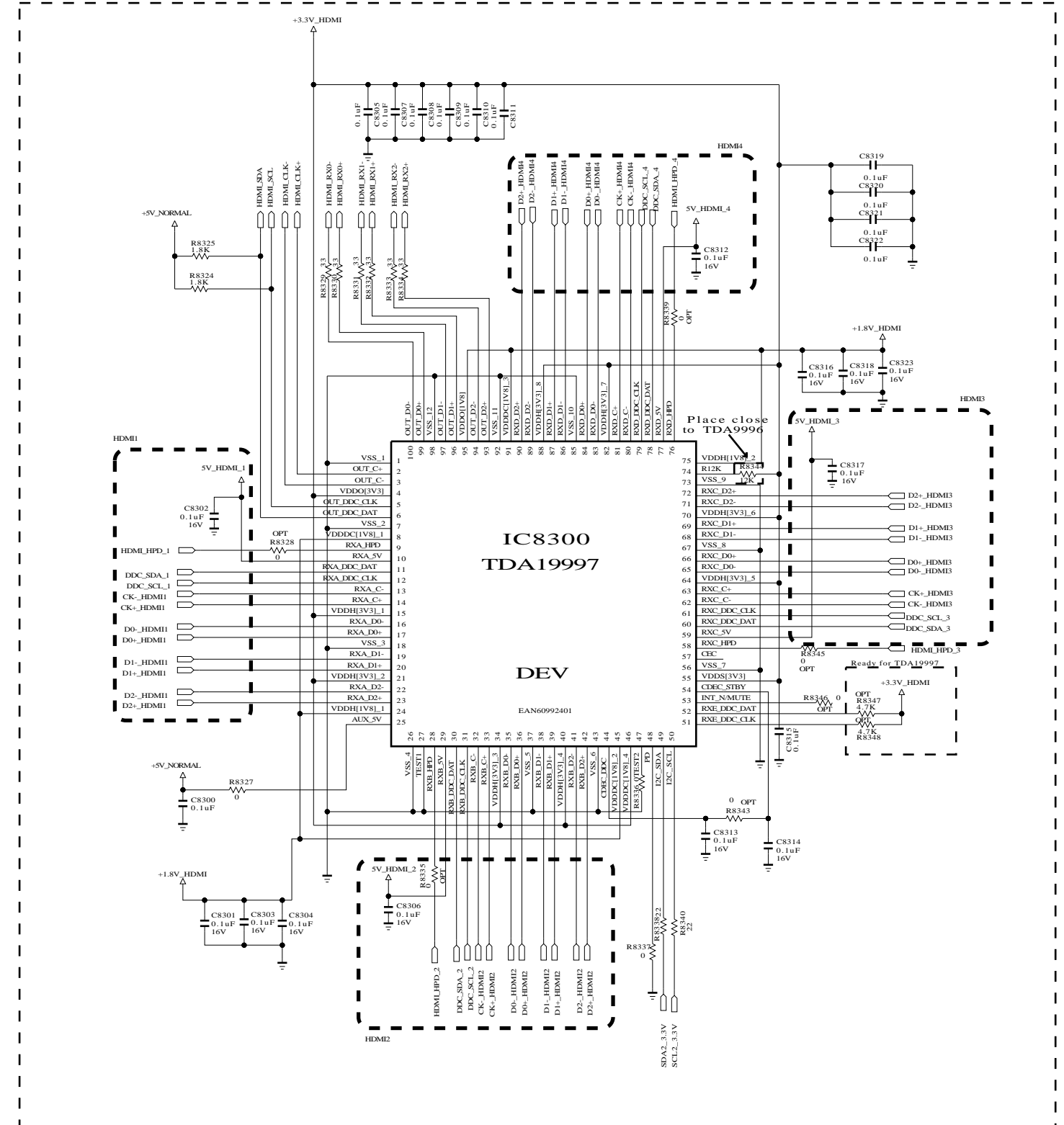
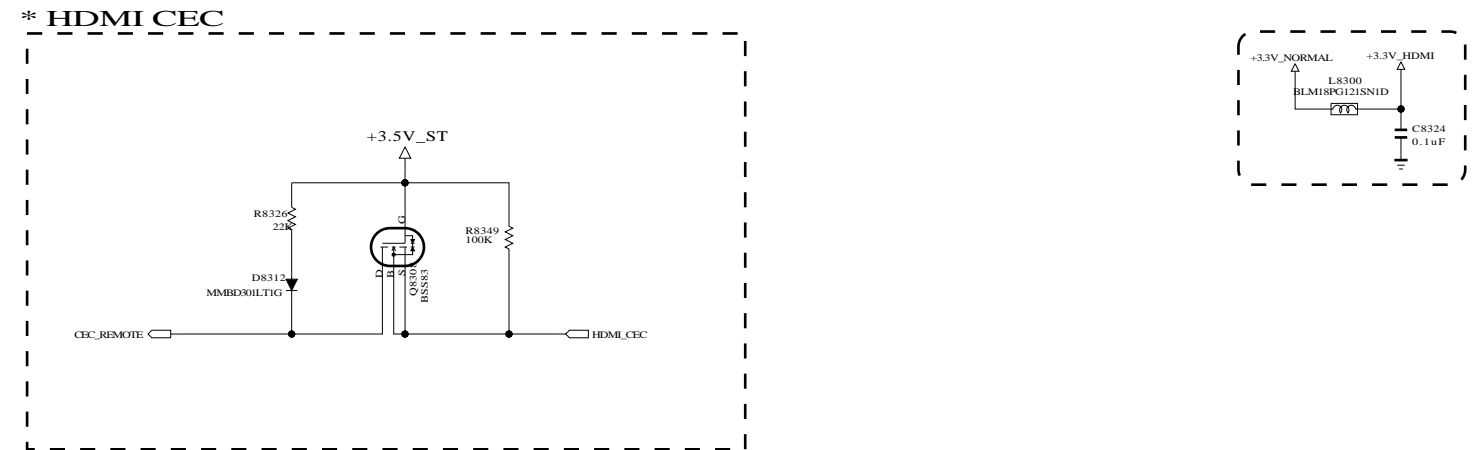
SIDE_HDMI_PORT4



EDID Pull-up



HDM1_FOXCONN



IC8300 TDA19997

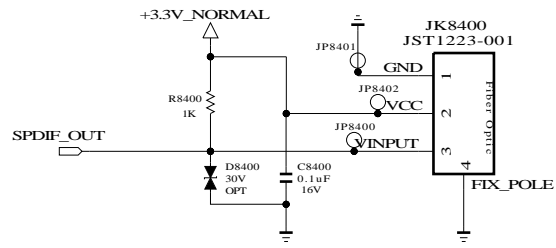
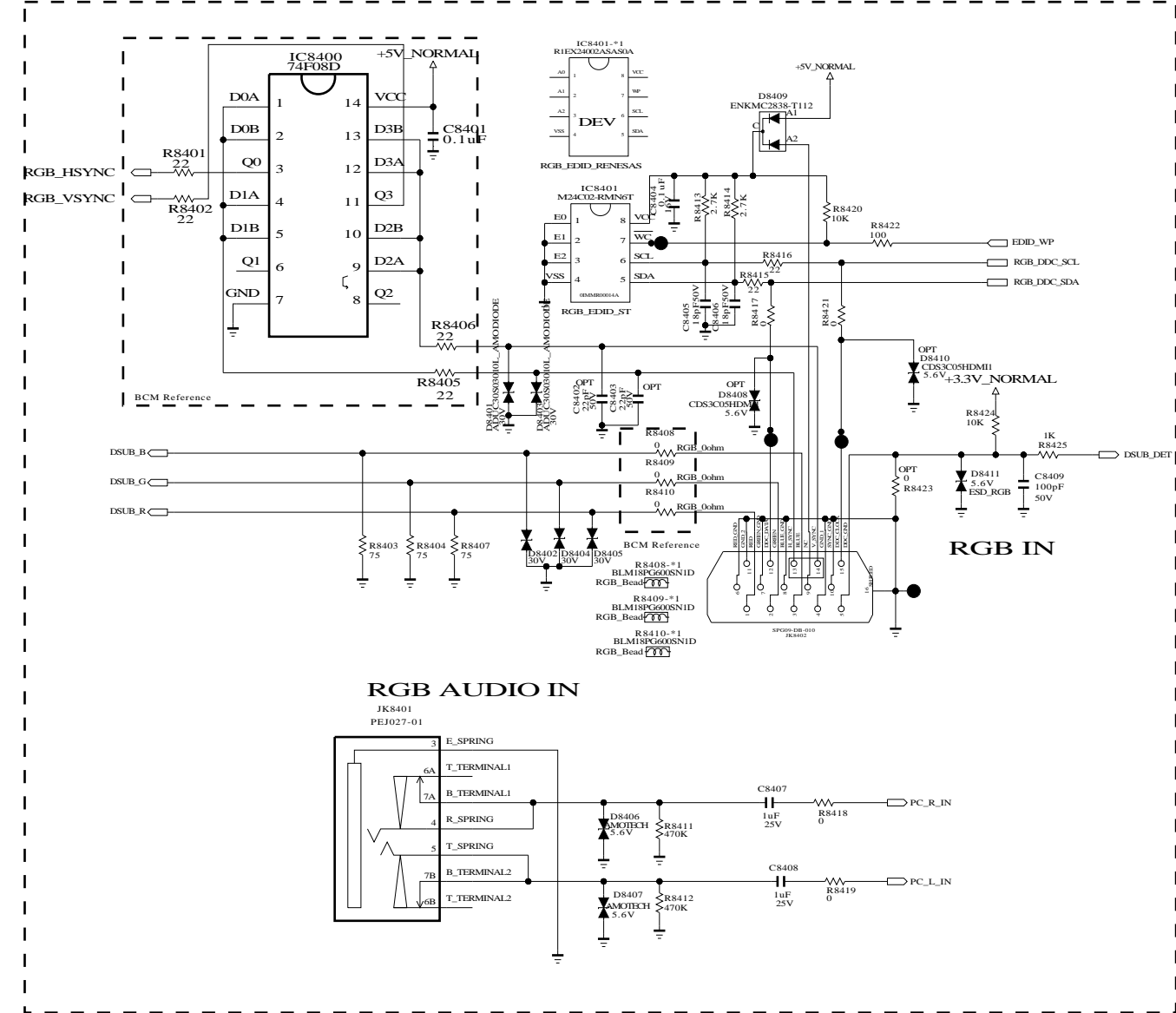
THE SYMBOL MARK OF THIS SCHEMATIC DIAGRAM INCORPORATES SPECIAL FEATURES IMPORTANT FOR PROTECTION FROM X-RADIATION. FILRE AND ELECTRICAL SHOCK HAZARDS, WHEN SERVICING IF IS ESSENTIAL THAT ONLY MANUFACTURES SPECIFIED PARTS BE USED FOR THE CRITICAL COMPONENTS IN THE SYMBOL MARK OF THE SCHEMATIC.

SECRET
LGElectronics



MODEL	COMMON	DATE	09/10/xx
BLOCK	HDMI	SHEET	83 / 100

RGB PC



THE SYMBOL MARK OF THIS SCHEMATIC DIAGRAM INCORPORATES SPECIAL FEATURES IMPORTANT FOR PROTECTION FROM X-RADIATION. FILRE AND ELECTRICAL SHOCK HAZARDS, WHEN SERVICING IF IS ESSENTIAL THAT ONLY MANUFACTURES SPECIFIED PARTS BE USED FOR THE CRITICAL COMPONENTS IN THE SYMBOL MARK OF THE SCHEMATIC.

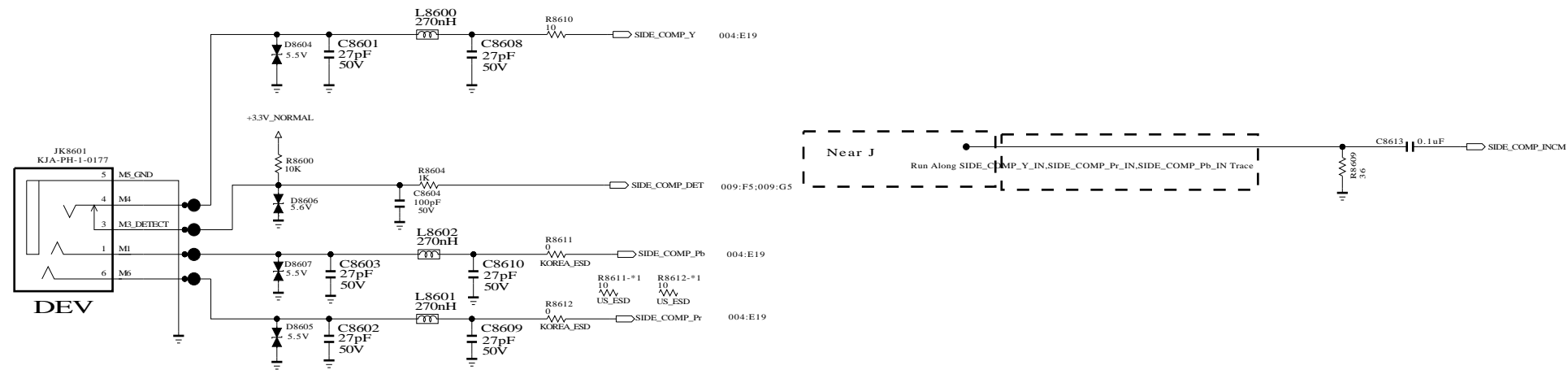
SECRET
LGElectronics



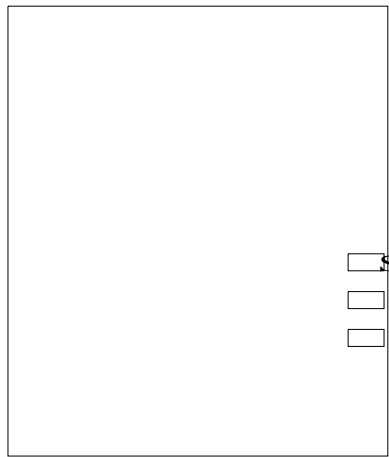
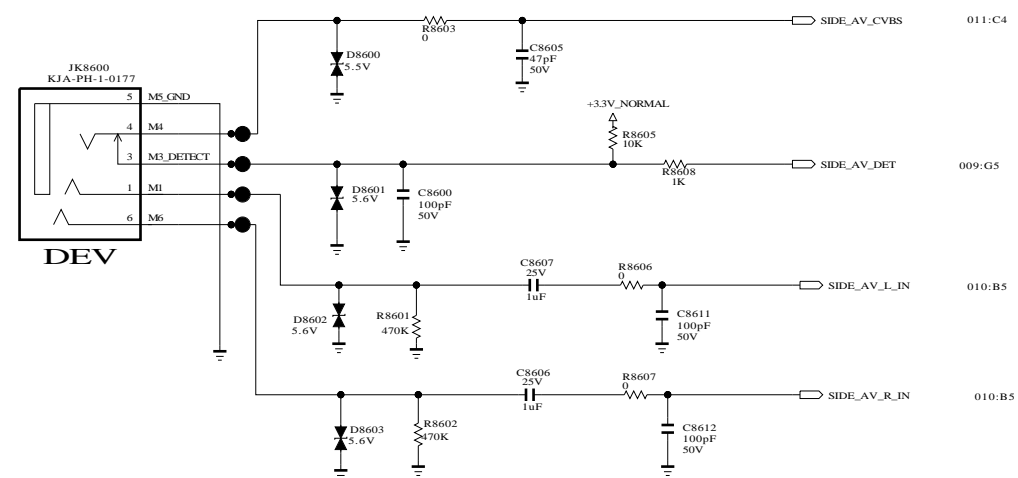
MODEL	COMMON	DATE	09/10/xx
BLOCK	RGB/SPDIF	SHEET	84 / 100

SIDE_GENDER

SIDE COMPONENT PHONE JACK



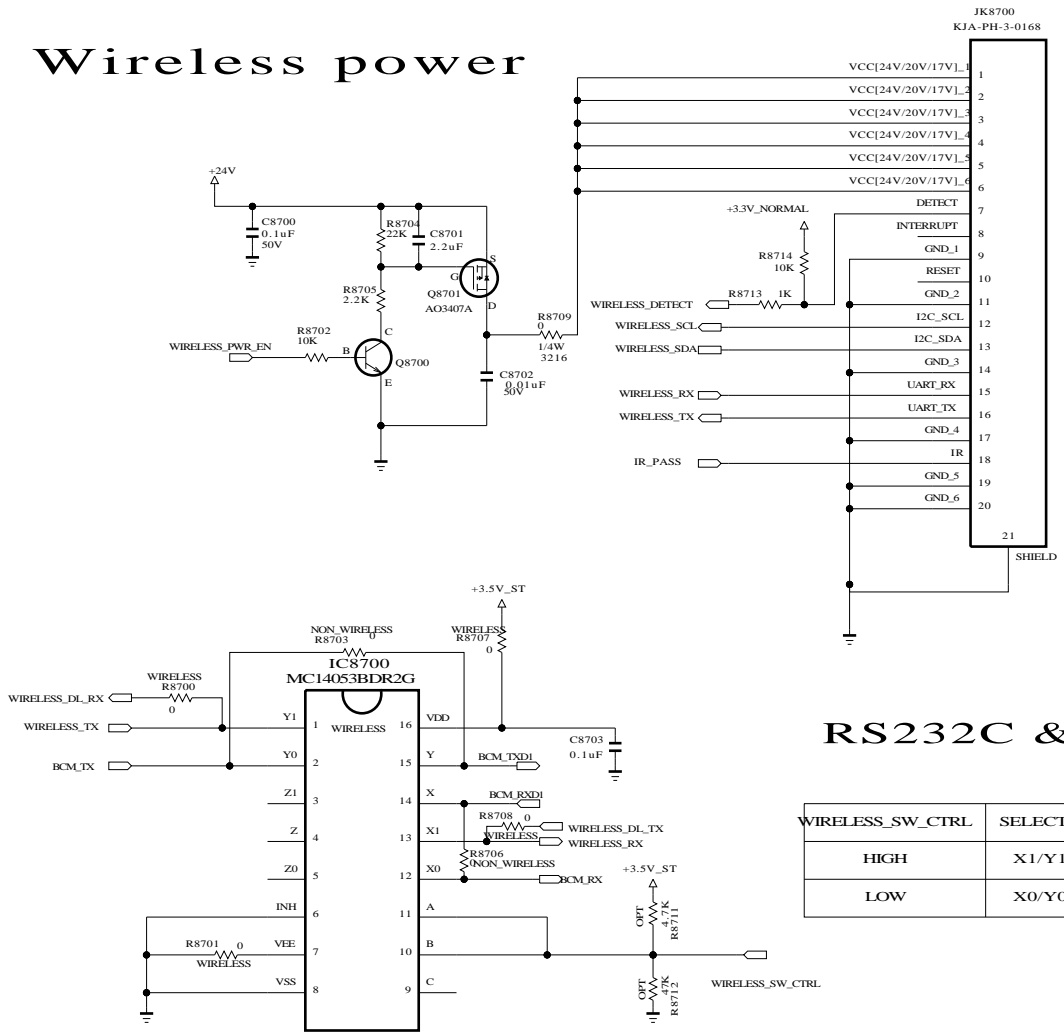
SIDE CVBS PHONE JACK



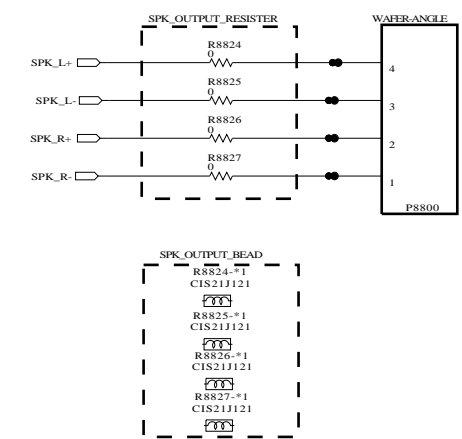
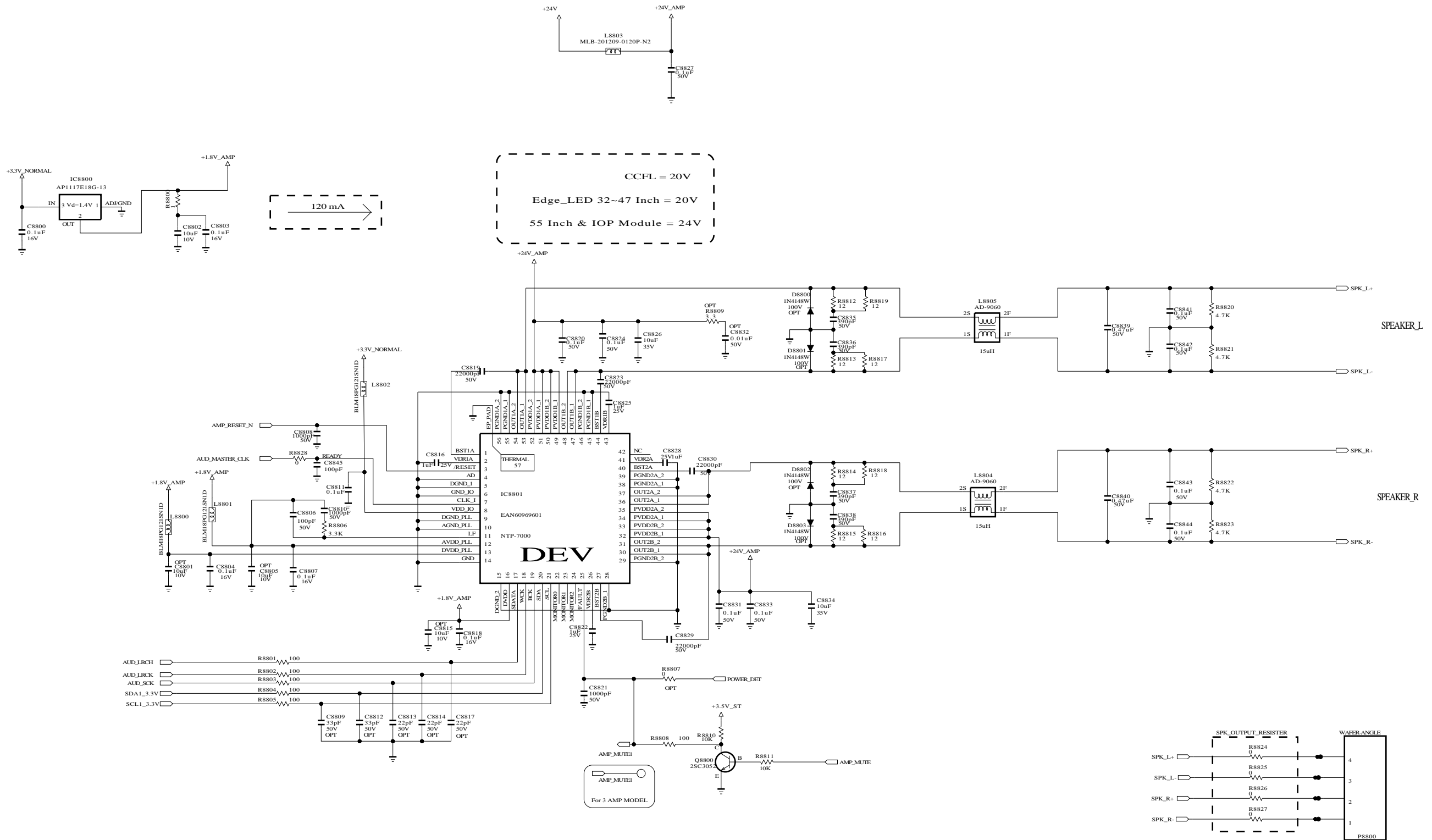
- SIDE_COMPONENT_PHONE_JACK
- SIDE_CVBS_PHONE_JACK
- SIDE_HEAD_PHONE_JACK

THE SYMBOL MARK OF THIS SCHEMATIC DIAGRAM INCORPORATES SPECIAL FEATURES IMPORTANT FOR PROTECTION FROM X-RADIATION. FILRE AND ELECTRICAL SHOCK HAZARDS, WHEN SERVICING IF IS ESSENTIAL THAT ONLY MANUFACTURES SPECIFIED PARTS BE USED FOR THE CRITICAL COMPONENTS IN THE SYMBOL MARK OF THE SCHEMATIC.

Wireless power



THE SYMBOL MARK OF THIS SCHEMATIC DIAGRAM INCORPORATES SPECIAL FEATURES IMPORTANT FOR PROTECTION FROM X-RADIATION. FILRE AND ELECTRICAL SHOCK HAZARDS, WHEN SERVICING IF IS ESSENTIAL THAT ONLY MANUFACTURES SPECIFIED PARTS BE USED FOR THE CRITICAL COMPONENTS IN THE SYMBOL MARK OF THE SCHEMATIC.

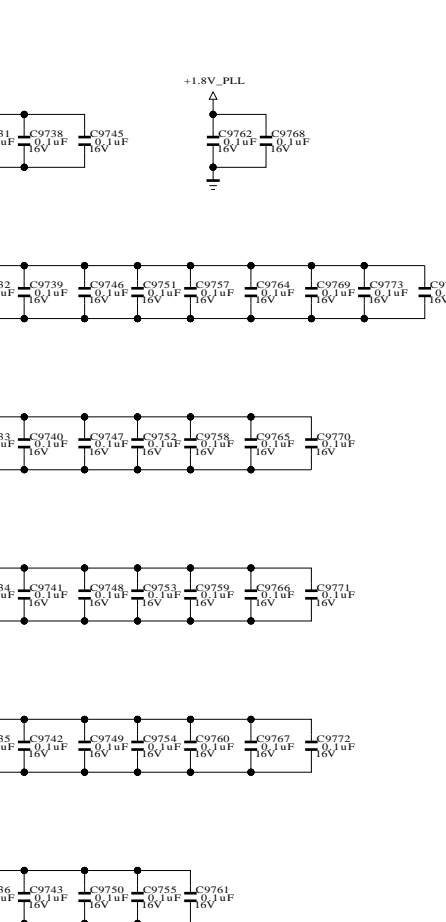
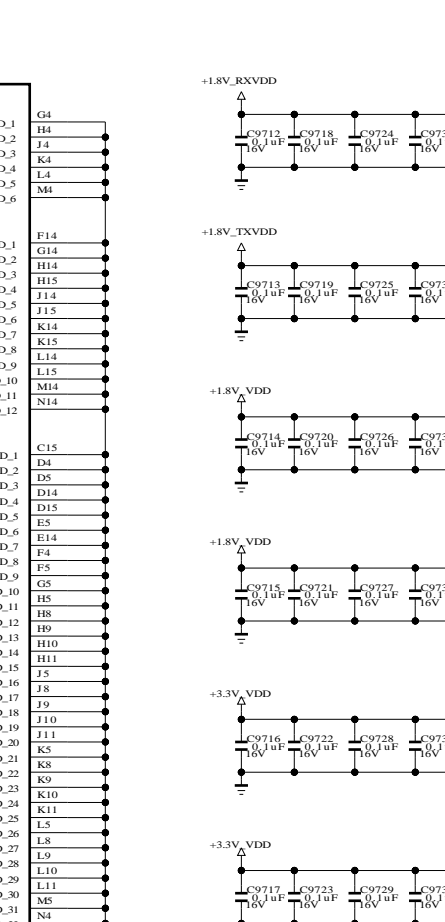
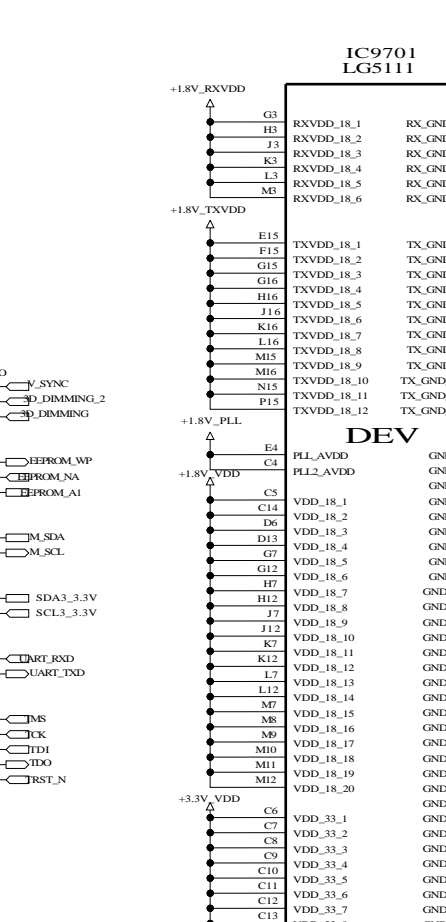
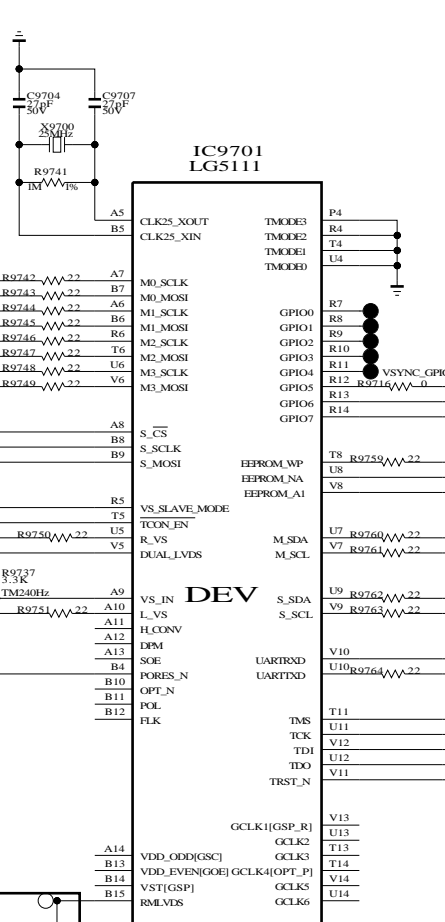
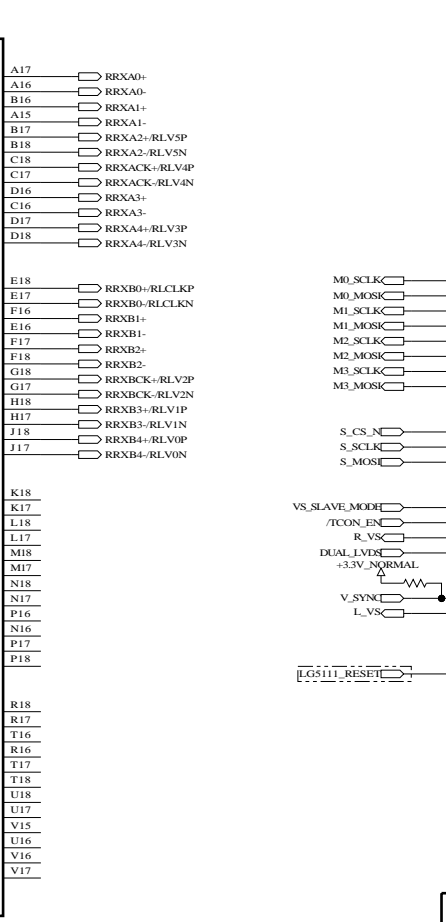
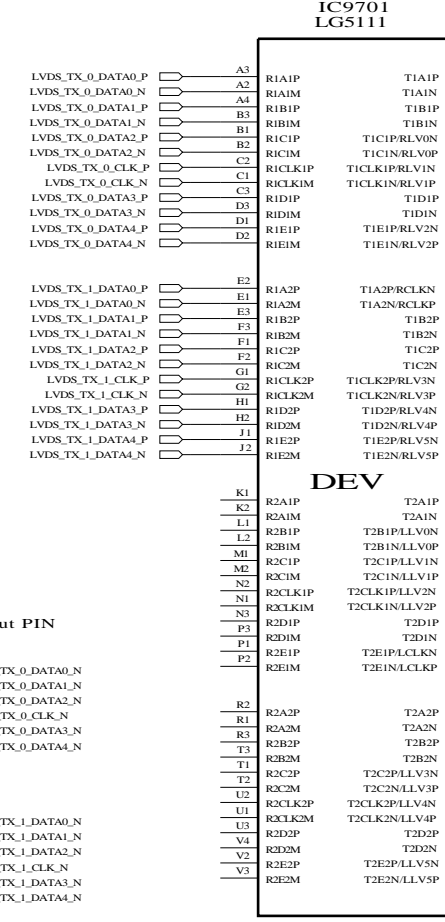


THE SYMBOL MARK OF THIS SCHEMATIC DIAGRAM INCORPORATES SPECIAL FEATURES IMPORTANT FOR PROTECTION FROM X-RADIATION. FILRE AND ELECTRICAL SHOCK HAZARDS, WHEN SERVICING IF IS ESSENTIAL THAT ONLY MANUFACTURES SPECIFIED PARTS BE USED FOR THE CRITICAL COMPONENTS IN THE SYMBOL MARK OF THE SCHEMATIC.

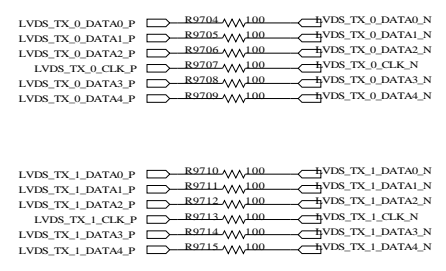
SECRET
LGElectronics



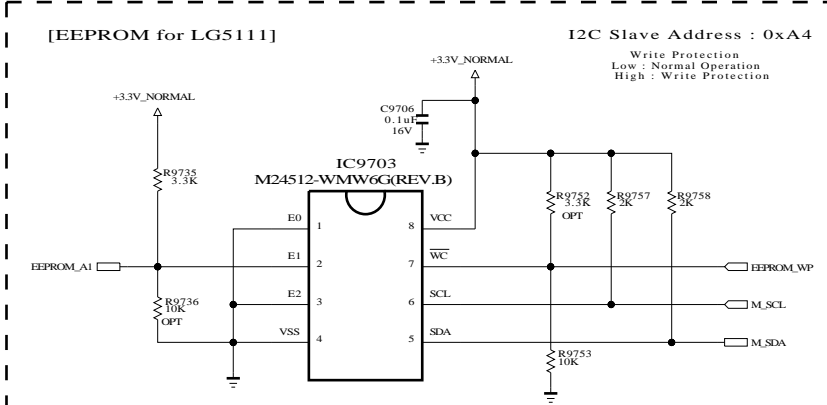
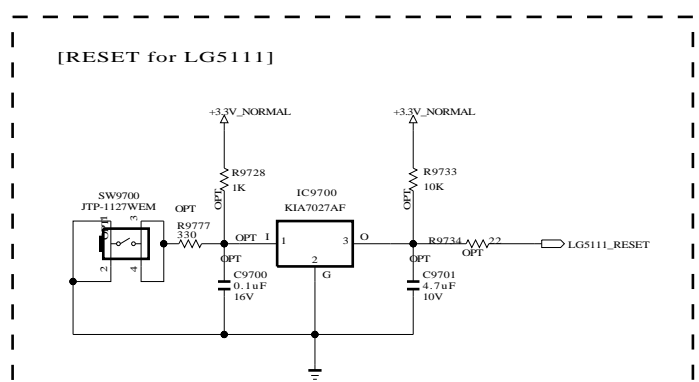
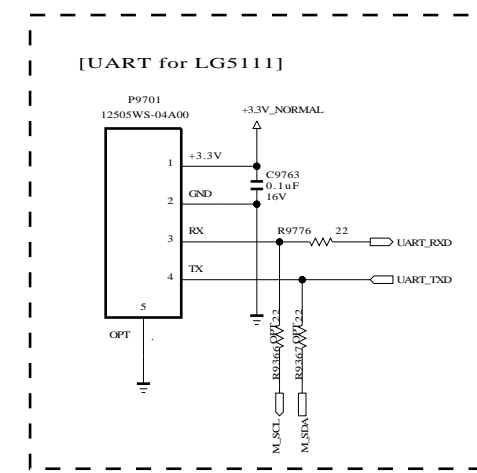
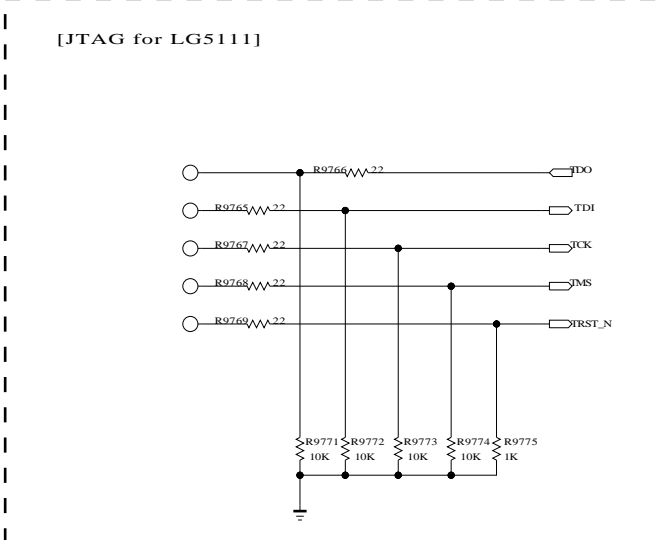
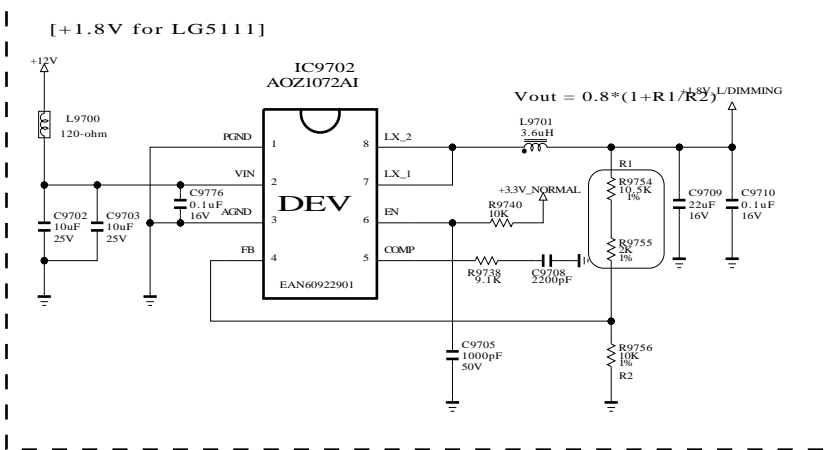
MODEL	COMMON	DATE	09/10/xx
BLOCK	NTP7000	SHEET	88 / 100



Close to LG5111 LVDS Input PIN



[Mini-LVDS Signal Strength]
 1. Adjust Mini-LVDS Tx voltage swing level (swing level can be affected by FFC cable)
 2. Add resistor and make option for each model



THE SYMBOL MARK OF THIS SCHEMATIC DIAGRAM INCORPORATES SPECIAL FEATURES IMPORTANT FOR PROTECTION FROM X-RADIATION. FILRE AND ELECTRICAL SHOCK HAZARDS, WHEN SERVICING IF IS ESSENTIAL THAT ONLY MANUFACTURES SPECIFIED PARTS BE USED FOR THE CRITICAL COMPONENTS IN THE SYMBOL MARK OF THE SCHEMATIC.

SECRET
 LGElectronics

LG ELECTRONICS

MODEL	COMMON_LD_400/480HZ	DATE	09/10/13
BLOCK	LG5111 (L.D.) from BCN	SHEET	97