



North/Latin America
Europe/Africa
Asia/Oceania

<http://aic.lgservice.com>
<http://eic.lgservice.com>
<http://biz.lgservice.com>

LED LCD TV

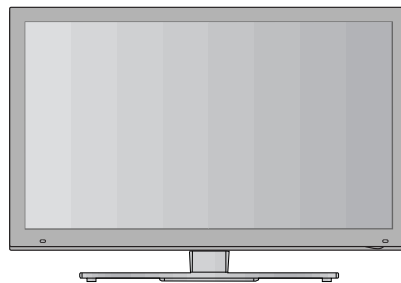
SCHEMATICS AND EXPLODED VIEW

CHASSIS : LA02R

MODEL : 47LX9500 47LX9500-UA

CAUTION

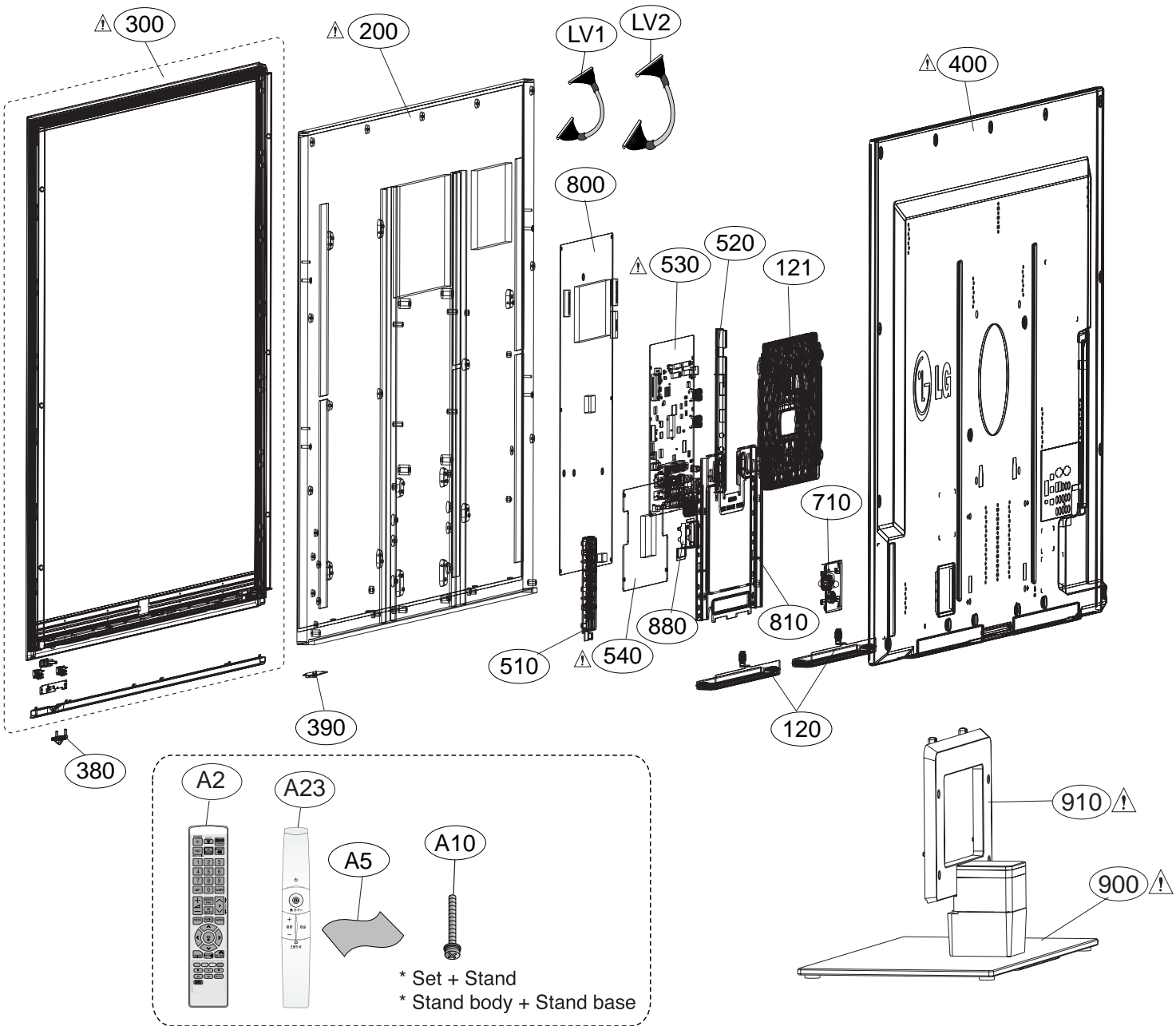
BEFORE SERVICING THE CHASSIS,
READ THE SAFETY PRECAUTIONS IN THIS MANUAL.



EXPLODED VIEW

IMPORTANT SAFETY NOTICE

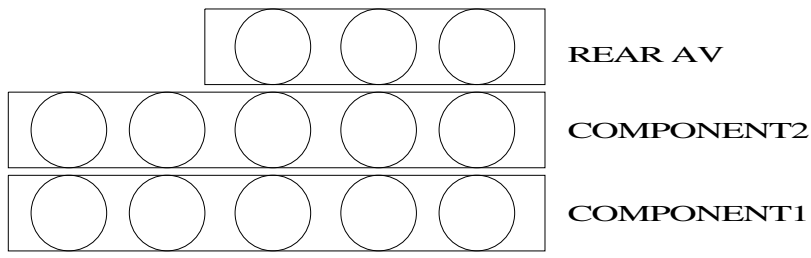
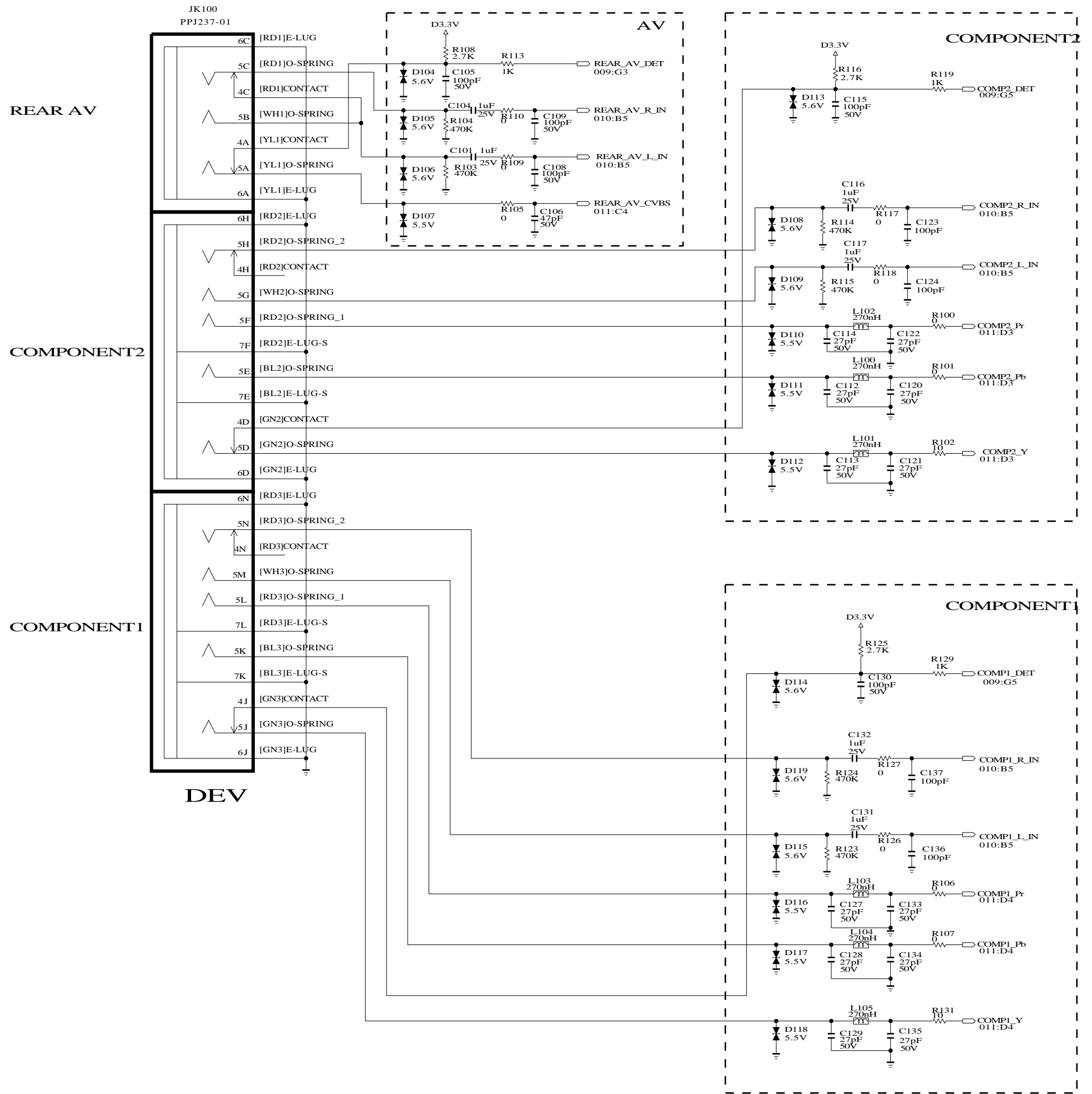
Many electrical and mechanical parts in this chassis have special safety-related characteristics. These parts are identified by ⚠ in the Schematic Diagram and EXPLODED VIEW. It is essential that these special safety parts should be replaced with the same components as recommended in this manual to prevent X-RADIATION, Shock, Fire, or other Hazards. Do not modify the original design without permission of manufacturer.



47LX9500 EXPLODED VIEW PARTS LIST

ITEM	PART No	DESCRIPTION
120	EAB61353002	Speaker (Front) 5W 8OHM 78DB 350HZ 8x21.4x6.5 4way
121	MCR62231002	Insulation Sheet (Main)
200	AFB73089901	TFT Panel (Includes Inverter boards)
300	ABJ73128201	Cabinet Assembly Ft Frame
380	MAZ62063502	Bracket IR PCB
390	EBT61093402	IR and Intelligent Sensor Board
n/a	EBR69838701	3D Transmitter Board. Updated to EBR72073601
400	ACQ76211209	Back Cover
510	EBR70133801	Controls Board
520	MGJ62014802	AV Metal Shield
530	EBR69489001	Main Board
540	AGU72970001	Power Insulation Bottom Assembly
710	MCK62788902	Mold ABS HF-380 Bracket Power Cord Cover
800	EAY60908801	SMPS Power Supply
810	MGJ62014401	Stand Guide Metal Plate
880	MGJ62014709	Tuner Metal Shield
900	AAN73031202	Stand Base Assembly
910	ABA73132302	Stand Top Bracket
A2	AKB72914018	Remote Control
A5	MAF60779001	Cloth Cleaner
A10	FAB30006518	Stand Screw
A23	AKB73035402	Remote Control M2-CON for USA
LV1	EAD61078206	LVDS Cable (Left Side from Main)
LV2	EAD60956327	LVDS Cable (Right Side from Main)

COMPONENT/AV REAR JACK



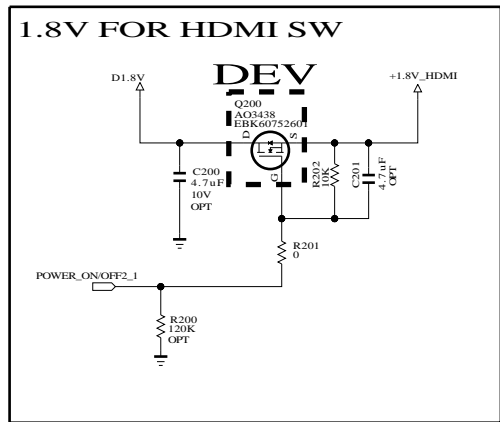
THE SYMBOL MARK OF THIS SCHEMATIC DIAGRAM INCORPORATES SPECIAL FEATURES IMPORTANT FOR PROTECTION FROM X-RADIATION. FILRE AND ELECTRICAL SHOCK HAZARDS, WHEN SERVICING IF IS ESSENTIAL THAT ONLY MANUFACTURES SPECIFIED PARTS BE USED FOR THE CRITICAL COMPONENTS IN THE SYMBOL MARK OF THE SCHEMATIC.

SECRET
LGElectronics



MODEL	GP2_BCM_ATSC	DATE	09/10/x x
BLOCK	COMPONENT / AV REAR	SHEET	1 / 100

HDMI SWITCH 1.8V POWER



Seperated from Common sheet83
 N.America & Korea only use 1.8V control

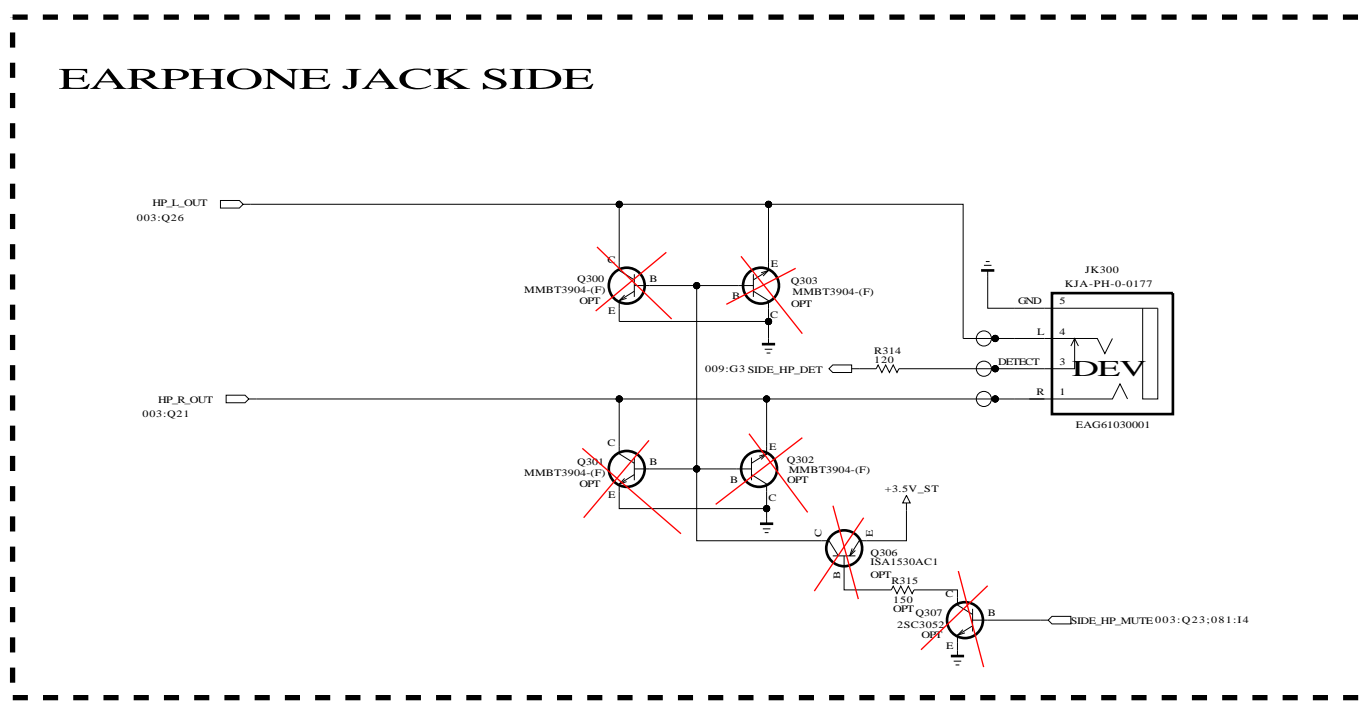
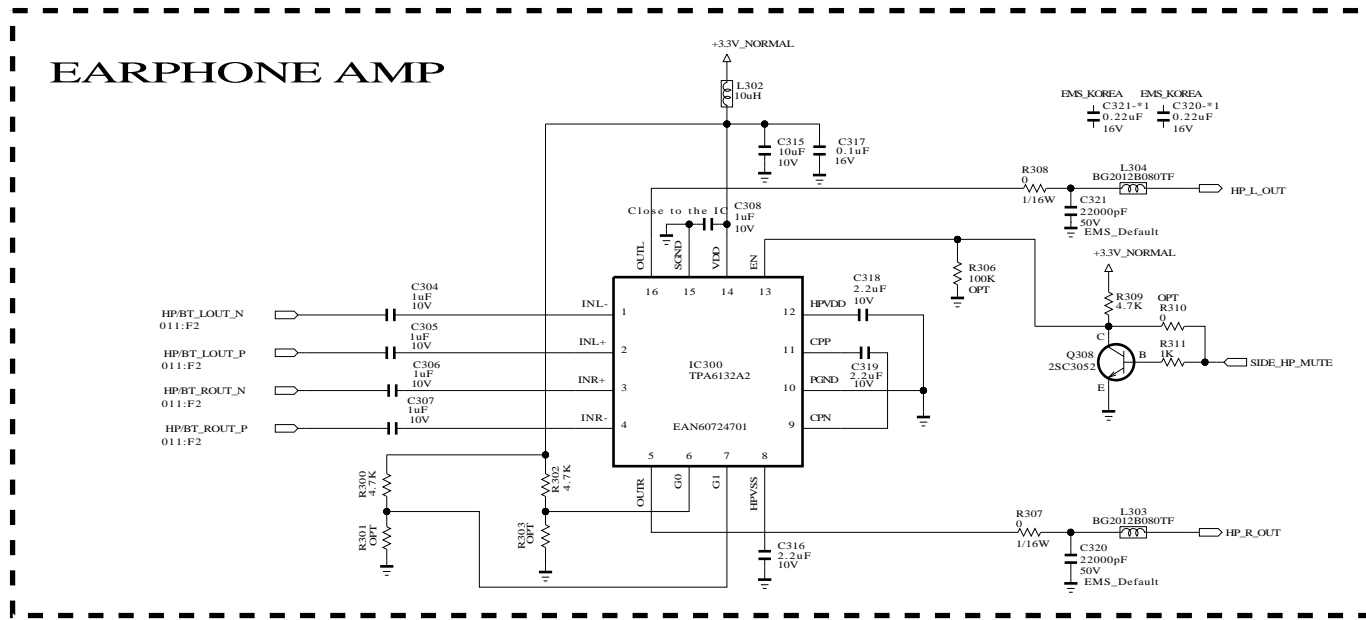
THE SYMBOL MARK OF THIS SCHEMATIC DIAGRAM INCORPORATES SPECIAL FEATURES IMPORTANT FOR PROTECTION FROM X-RADIATION. FILRE AND ELECTRICAL SHOCK HAZARDS, WHEN SERVICING IF IS ESSENTIAL THAT ONLY MANUFACTURES SPECIFIED PARTS BE USED FOR THE CRITICAL COMPONENTS IN THE SYMBOL MARK OF THE SCHEMATIC.

SECRET
 LGElectronics

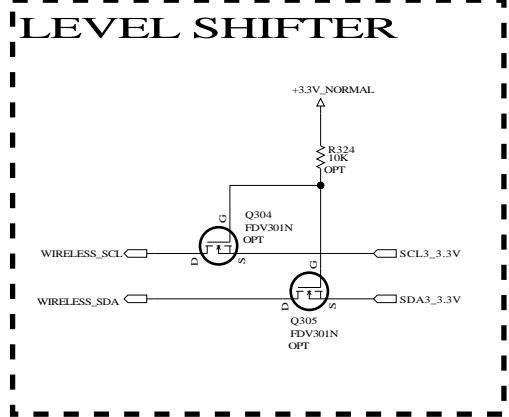


MODEL	GP2_BCM_ATSC	DATE	09/10/xx
BLOCK	HDMI_POWER	SHEET	2 / 100

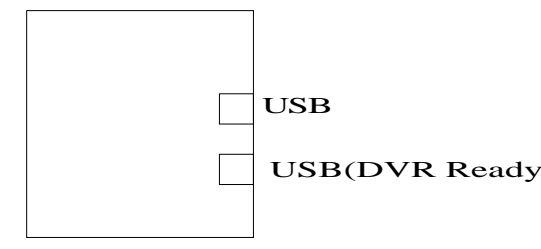
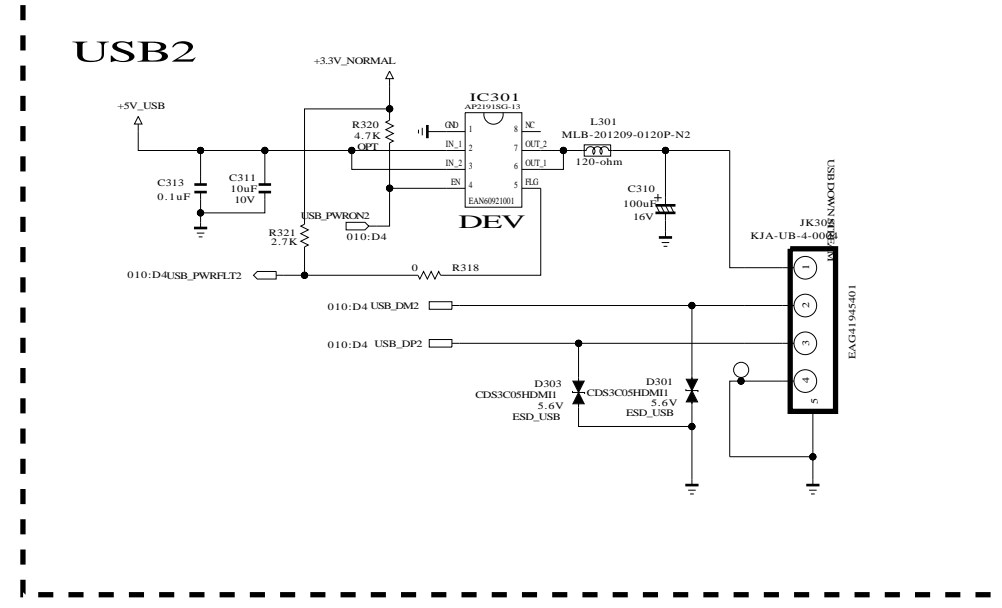
EARPHONE BLOCK



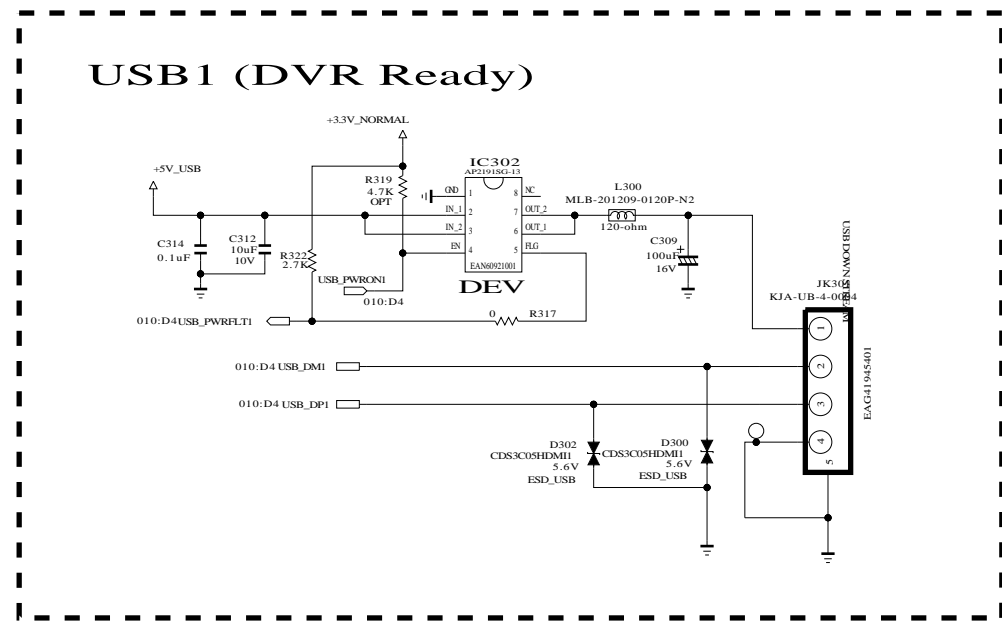
WIRELESS I2C LEVEL SHIFTER



USB BLOCK

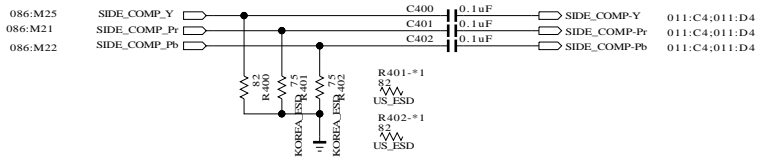


CHANGE USB_PWRFLT PULL-UP FROM 5V TO 3.3V



THE SYMBOL MARK OF THIS SCHEMATIC DIAGRAM INCORPORATES SPECIAL FEATURES IMPORTANT FOR PROTECTION FROM X-RADIATION, FILRE AND ELECTRICAL SHOCK HAZARDS, WHEN SERVICING IF IS ESSENTIAL THAT ONLY MANUFACTURES SPECIFIED PARTS BE USED FOR THE CRITICAL COMPONENTS IN THE SYMBOL MARK OF THE SCHEMATIC.

SIDE COMPONENT LINE



CLOSE TO MAIN IC

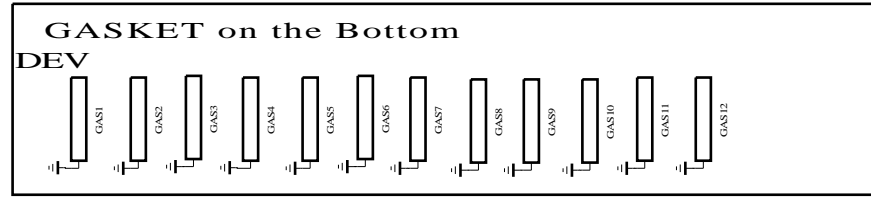
THE SYMBOL MARK OF THIS SCHEMATIC DIAGRAM INCORPORATES SPECIAL FEATURES IMPORTANT FOR PROTECTION FROM X-RADIATION. FILRE AND ELECTRICAL SHOCK HAZARDS. WHEN SERVICING IF IS ESSENTIAL THAT ONLY MANUFACTURES SPECIFIED PARTS BE USED FOR THE CRITICAL COMPONENTS IN THE SYMBOL MARK OF THE SCHEMATIC.

SECRET
 LGElectronics

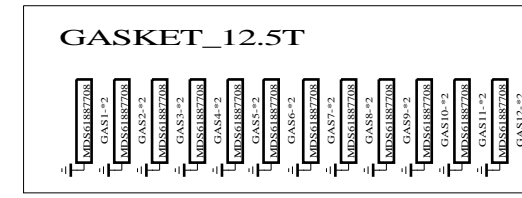


MODEL	SIDE_GENDER_LINE	DATE	09/10/xx
BLOCK	SIDE_GENDER_LINE	SHEET	4 / 100

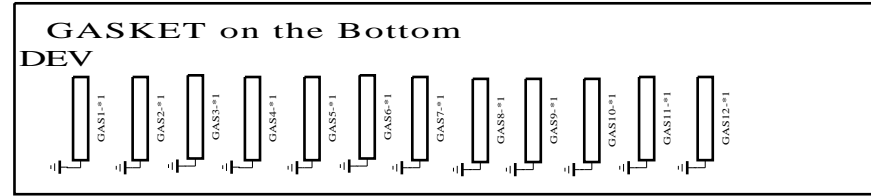
SMD GASKET FOR EMI (8*6*5.5 FOR LE5400/5500/7500)



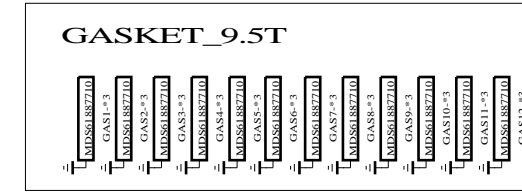
SMD GASKET FOR EMI (8*6*12.5T)



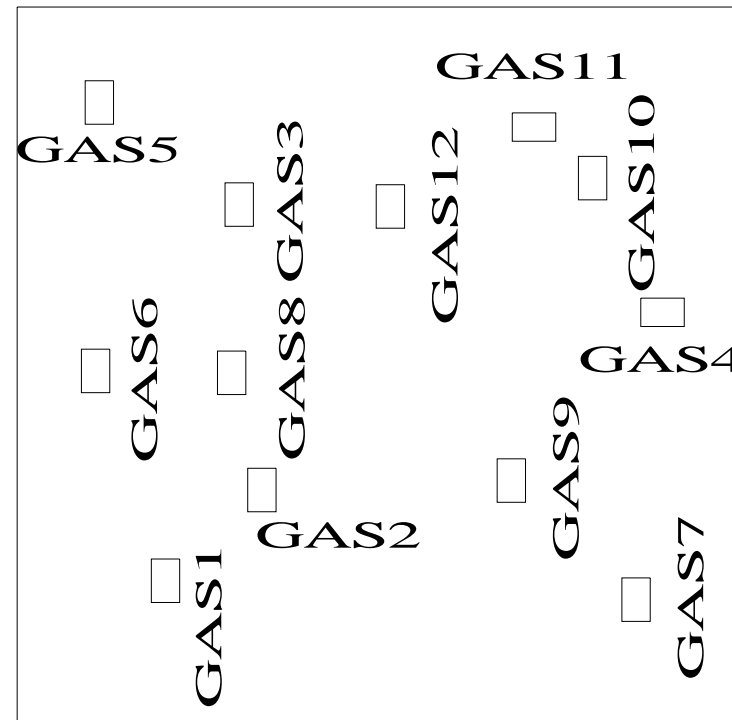
SMD GASKET FOR EMI (8*6*7.5 FOR LE8500)



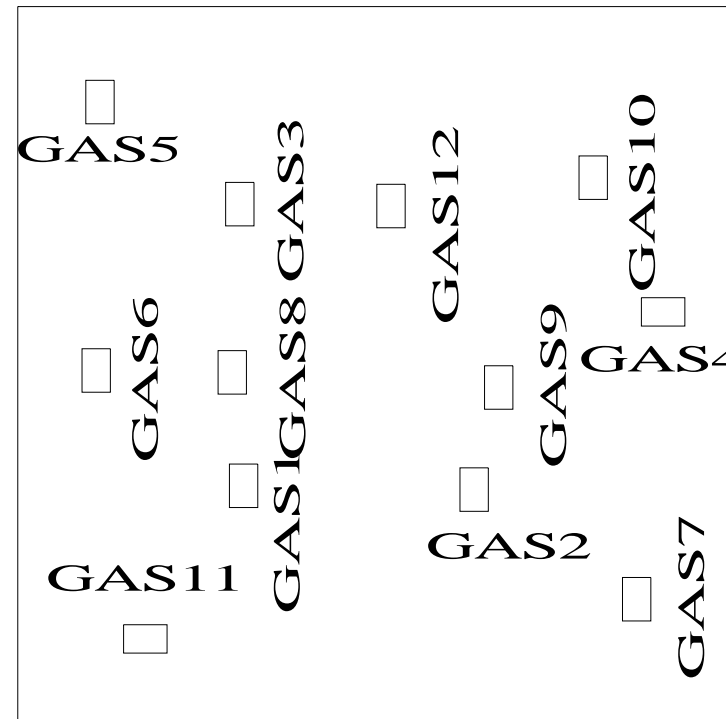
SMD GASKET FOR EMI (8*6* 9.5T)



Draw bottom location when make a new pcb

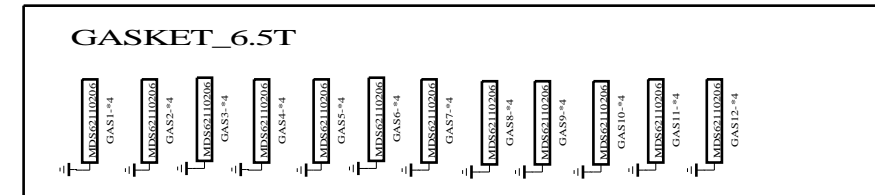


EAX61538101



EAX61746401

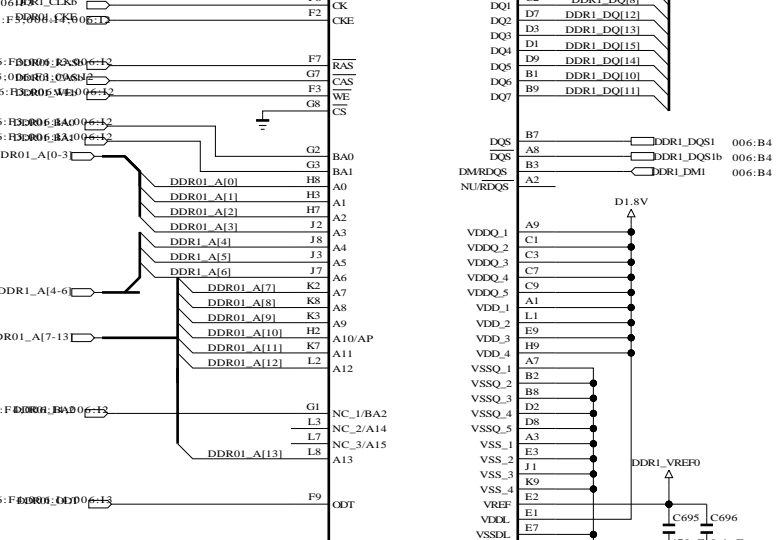
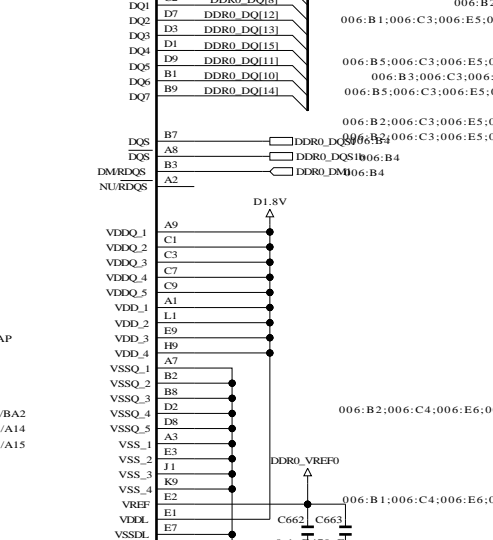
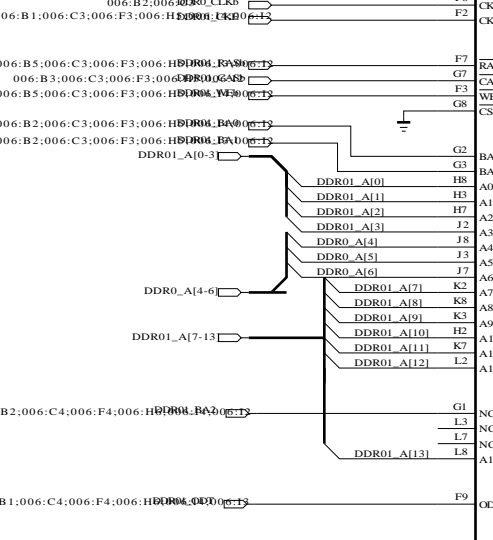
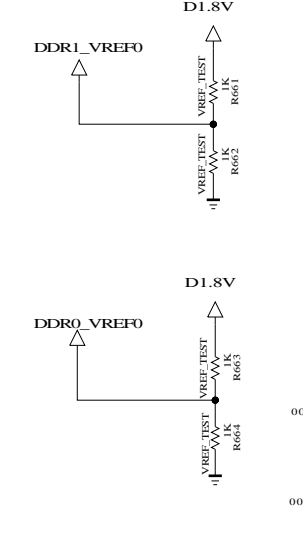
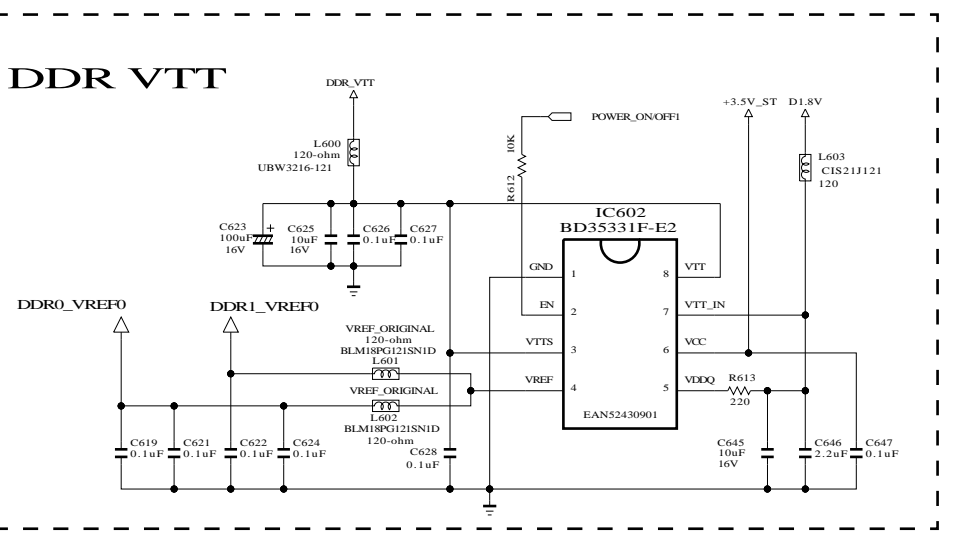
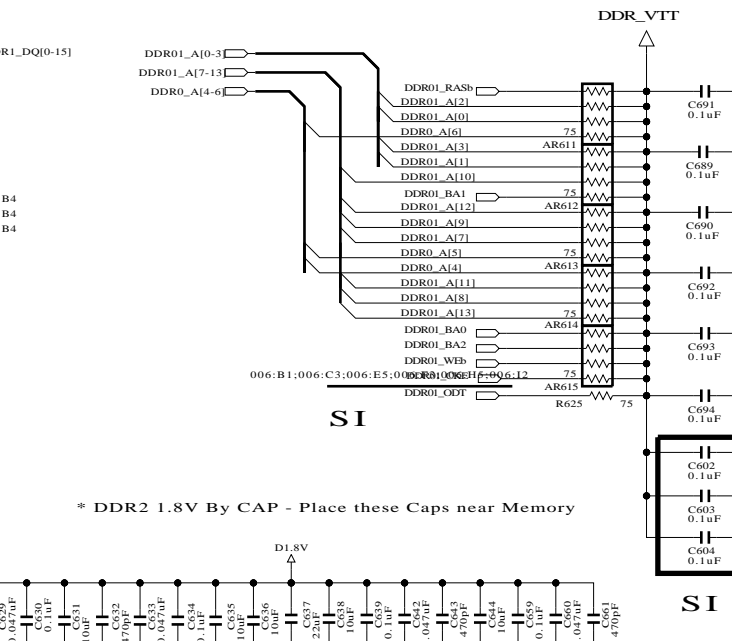
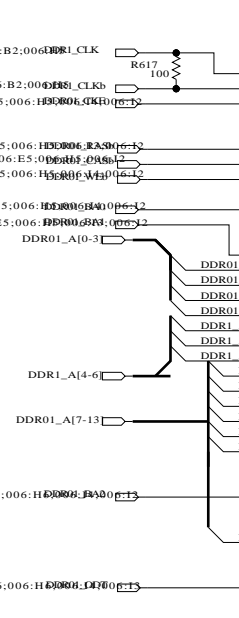
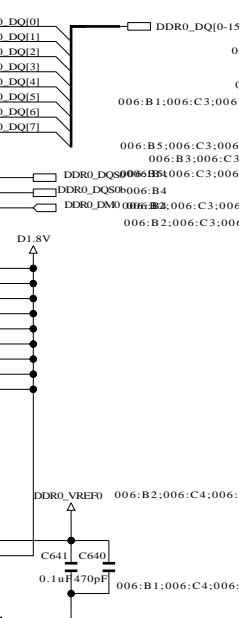
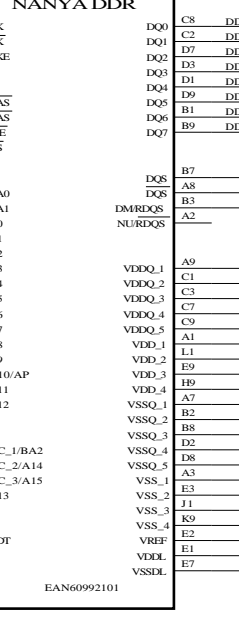
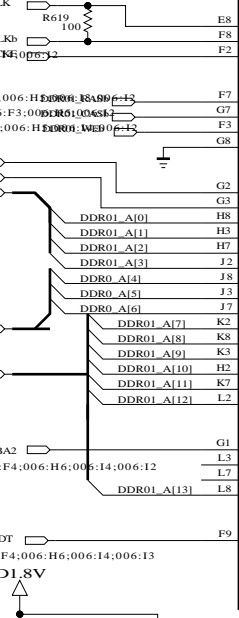
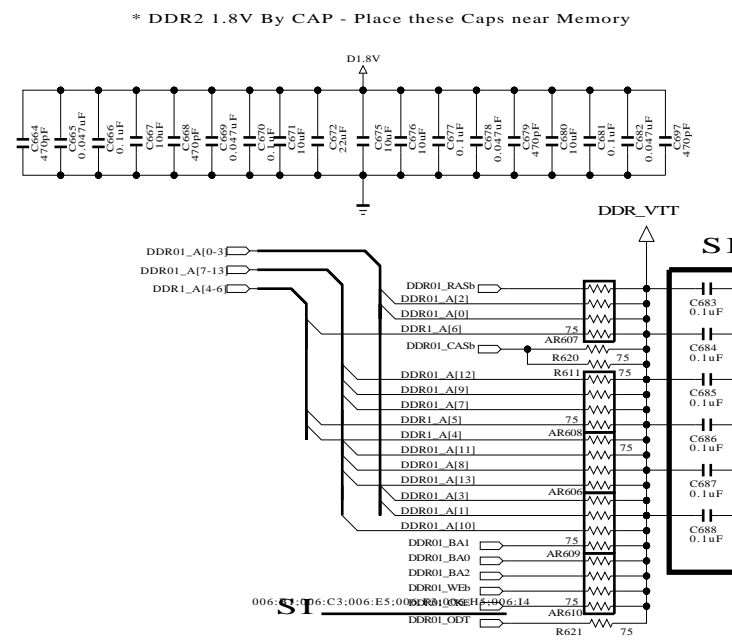
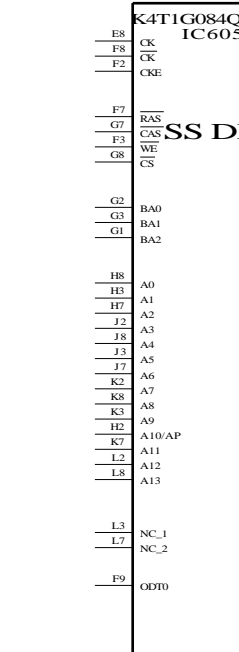
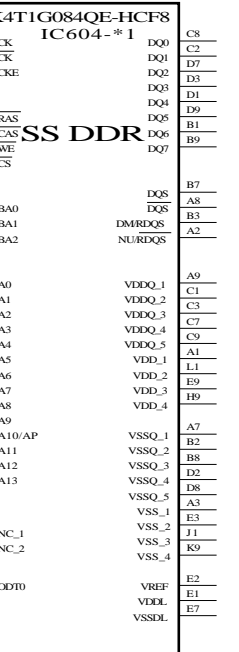
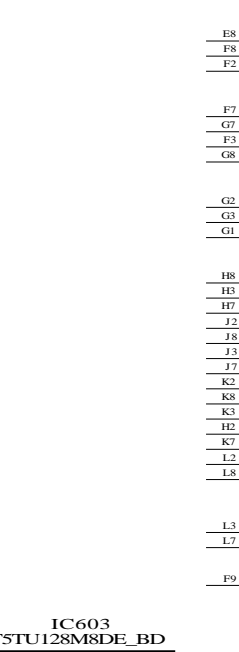
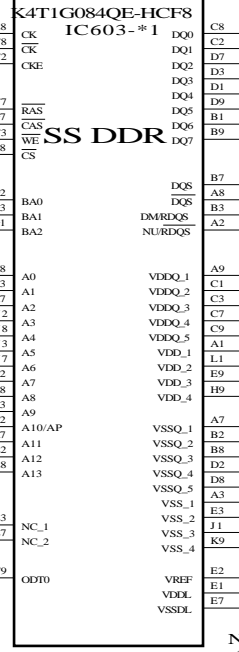
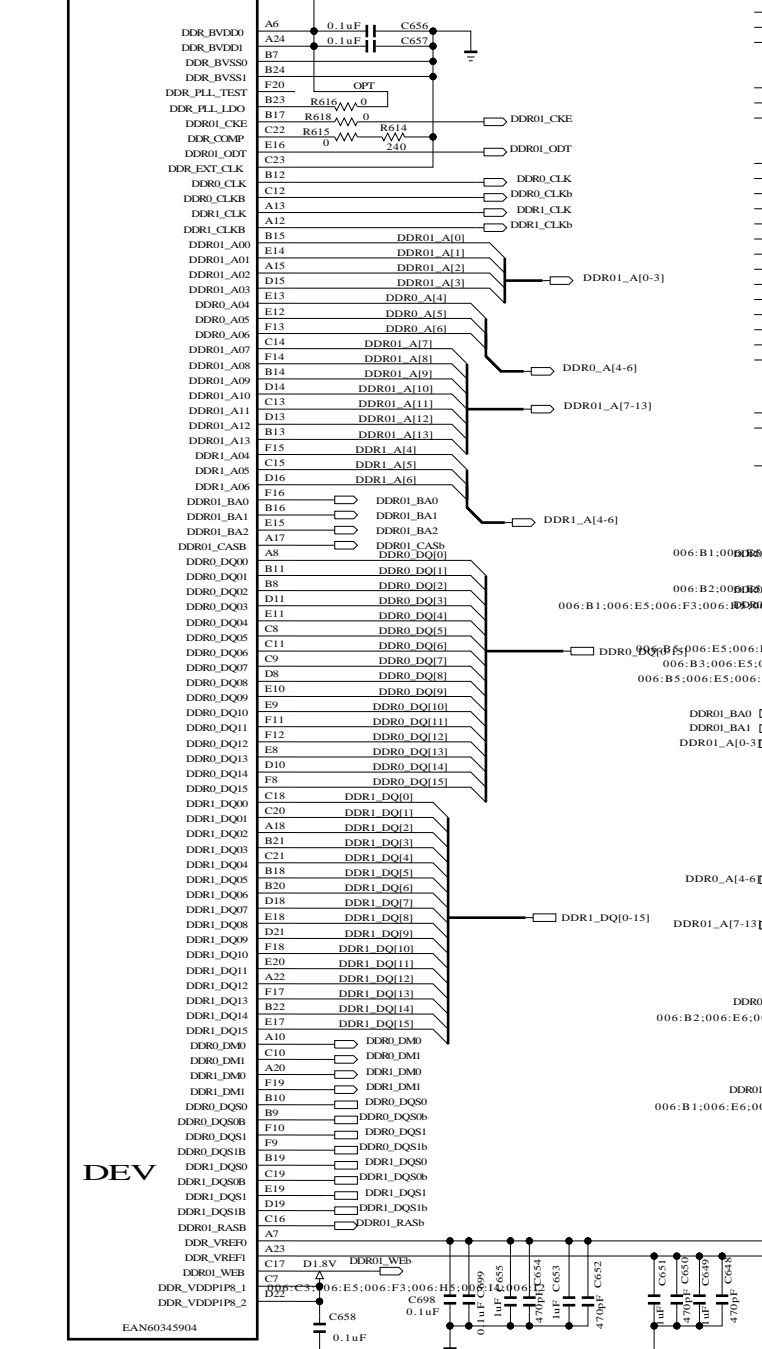
SMD GASKET FOR EMI (8*6*6.5 FOR 32LE7500)



THE SYMBOL MARK OF THIS SCHEMATIC DIAGRAM INCORPORATES SPECIAL FEATURES IMPORTANT FOR PROTECTION FROM X-RADIATION, FILRE AND ELECTRICAL SHOCK HAZARDS, WHEN SERVICING IF IS ESSENTIAL THAT ONLY MANUFACTURES SPECIFIED PARTS BE USED FOR THE CRITICAL COMPONENTS IN THE SYMBOL MARK OF THE SCHEMATIC.

BCM-DDR

IC900
LGE3549XQ (B2 VERSION)



THE SYMBOL MARK OF THIS SCHEMATIC DIAGRAM INCORPORATES SPECIAL FEATURES IMPORTANT FOR PROTECTION FROM X-RADIATION. FILRE AND ELECTRICAL SHOCK HAZARDS, WHEN SERVICING IF IS ESSENTIAL THAT ONLY MANUFACTURES SPECIFIED PARTS BE USED FOR THE CRITICAL COMPONENTS IN THE SYMBOL MARK OF THE SCHEMATIC.

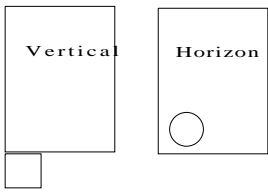
SECRET
LGElectronics



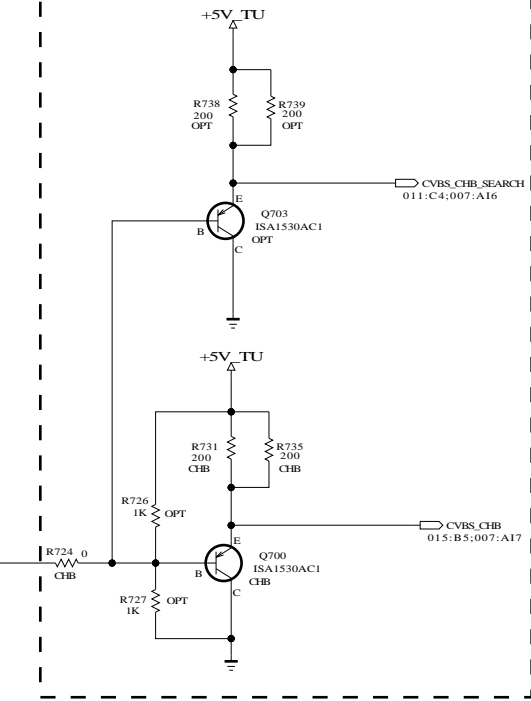
MODEL	GP2 BCM AT6C	DATE	09/10/xx
BLOCK	BCM-DDR	SHEET	6 / 100

ATSC TUNER

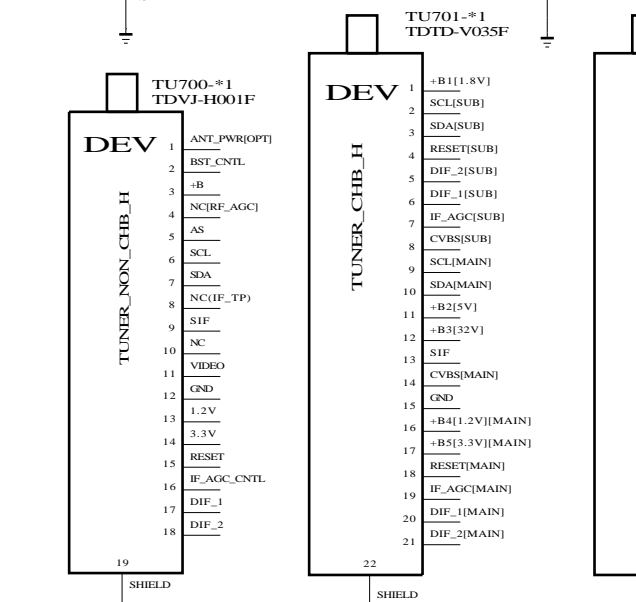
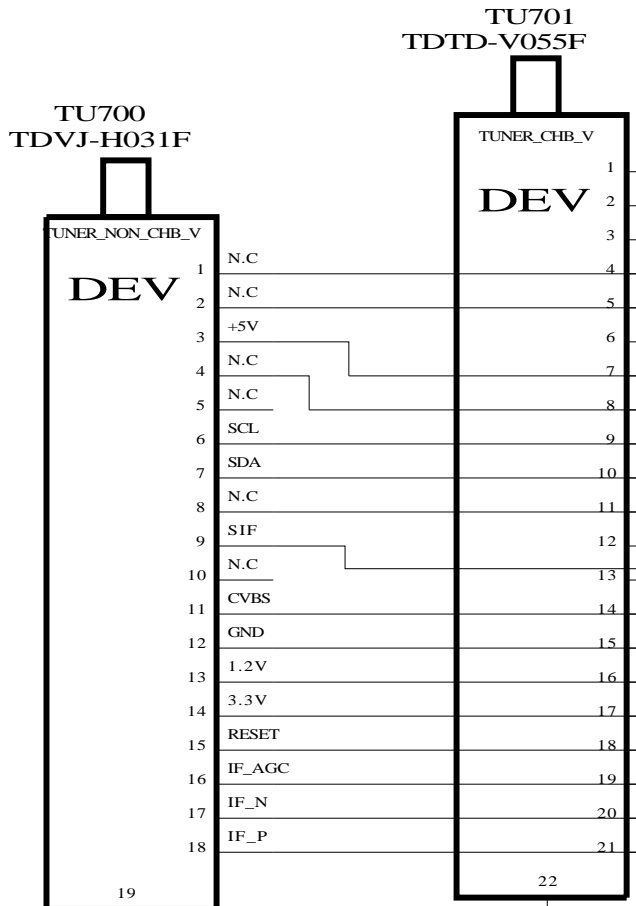
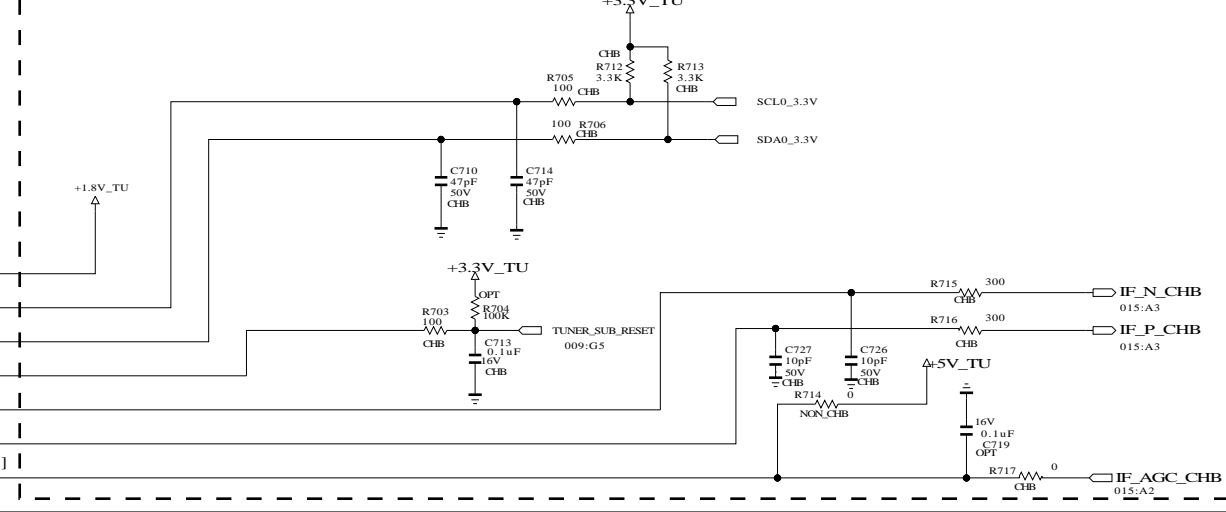
TUNER TYPE



CHB OPTION



CHB OPTION

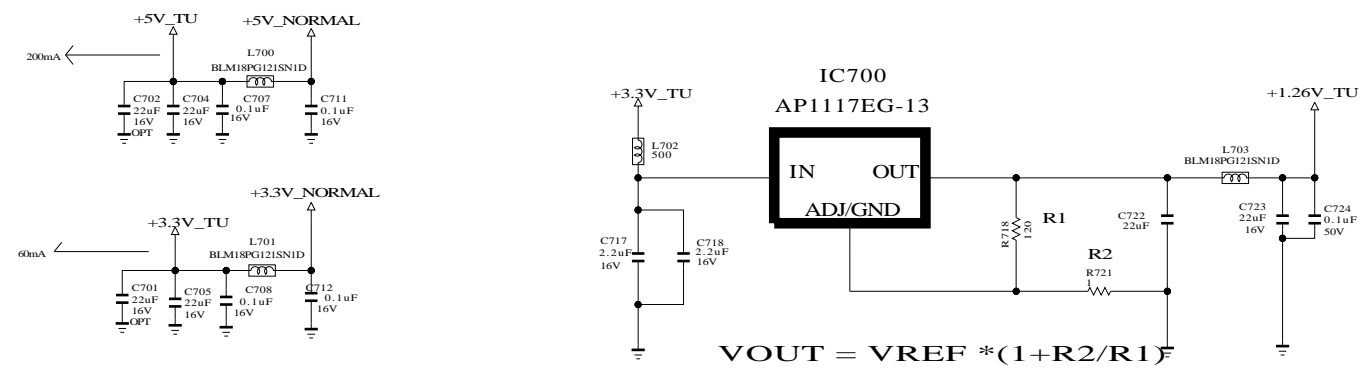
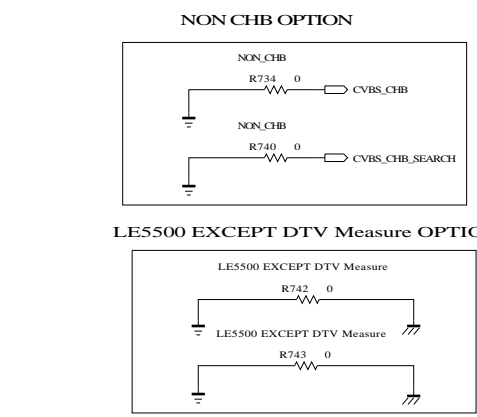


THE SYMBOL MARK OF THIS SCHEMATIC DIAGRAM INCORPORATES SPECIAL FEATURES IMPORTANT FOR PROTECTION FROM X-RADIATION, FILRE AND ELECTRICAL SHOCK HAZARDS, WHEN SERVICING IF IS ESSENTIAL THAT ONLY MANUFACTURES SPECIFIED PARTS BE USED FOR THE CRITICAL COMPONENTS IN THE SYMBOL MARK OF THE SCHEMATIC.

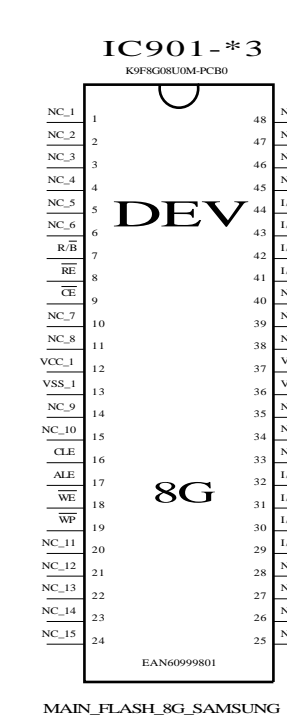
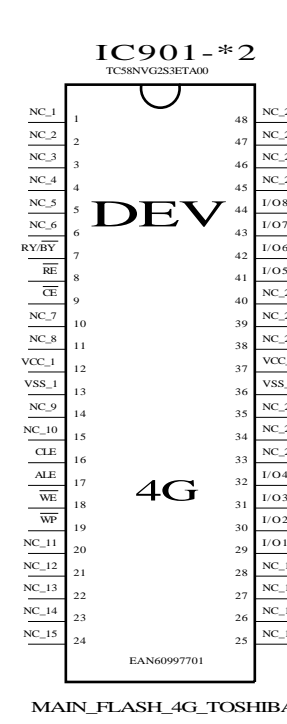
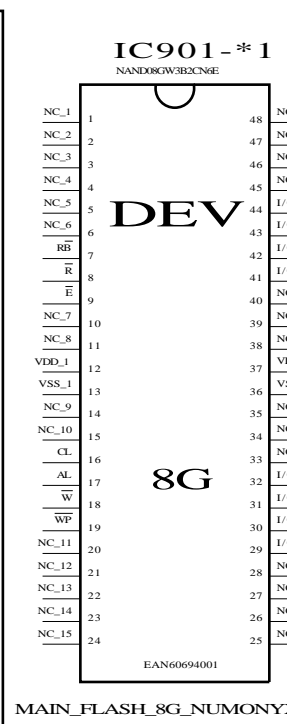
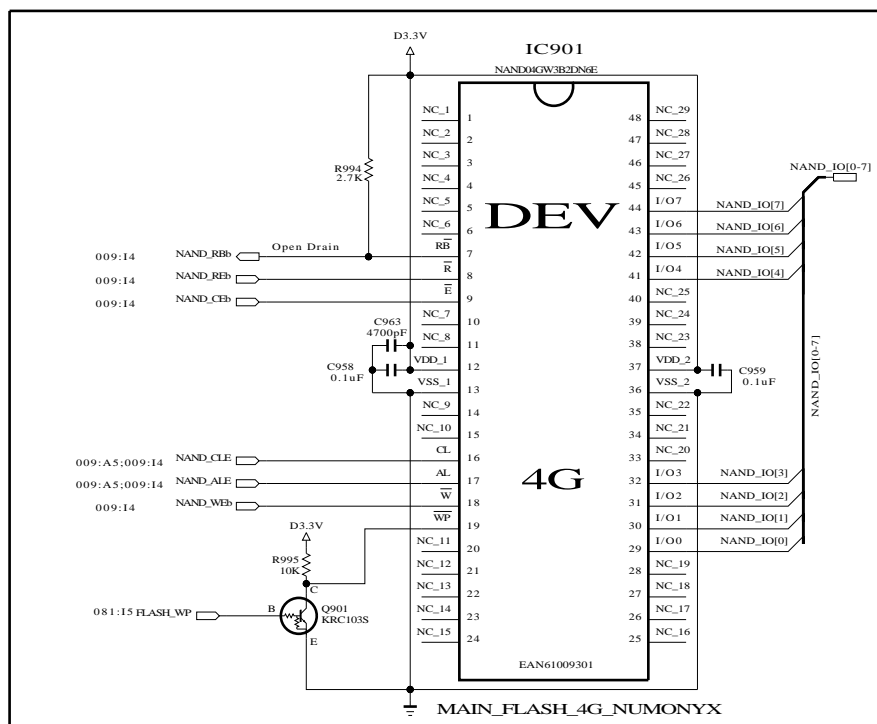
SECRET
LGElectronics



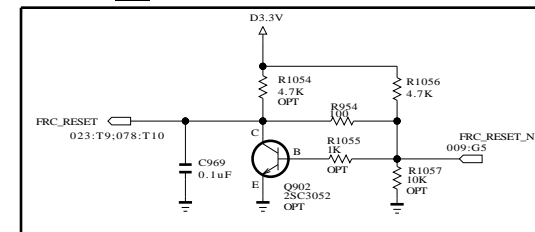
MODEL	GP2_BCM_ATSC	DATE	09/10/xx
BLOCK	ATSC_TUNER	SHEET	7 / 100



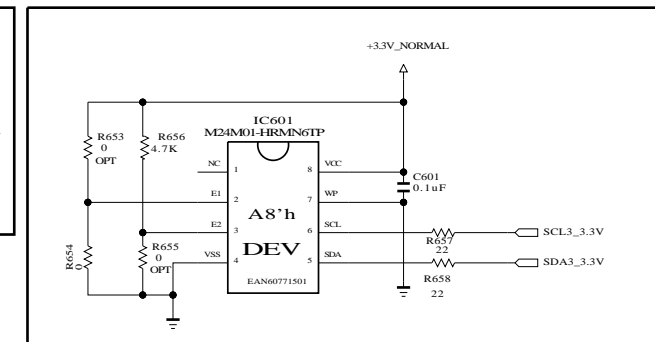
NAND FLASH MEMORY



FRC_RESET



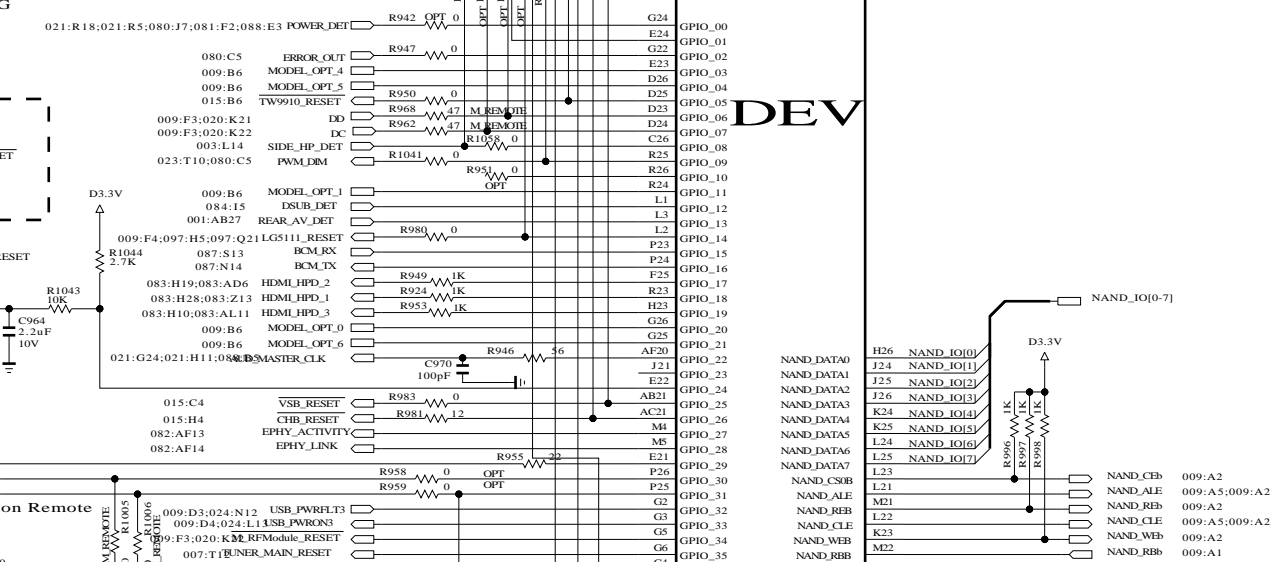
NVRAM



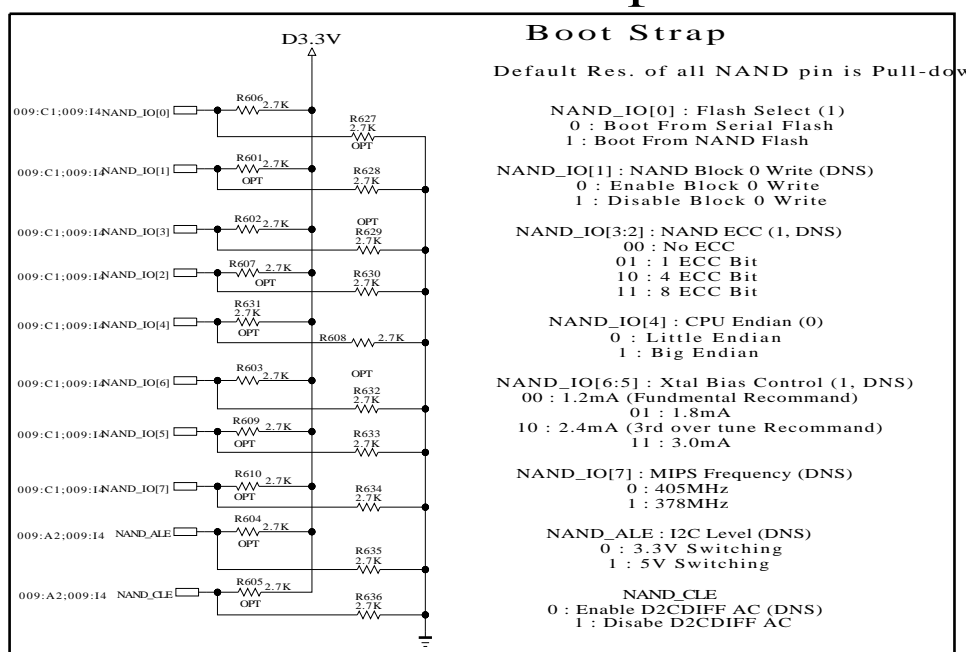
BCM3549 GPIO

IC900

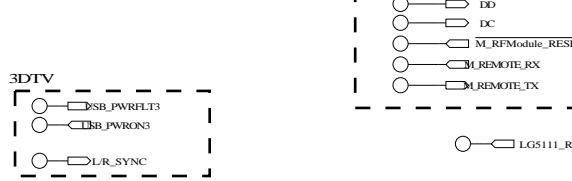
LGE3549XQ (B2 VERSION)



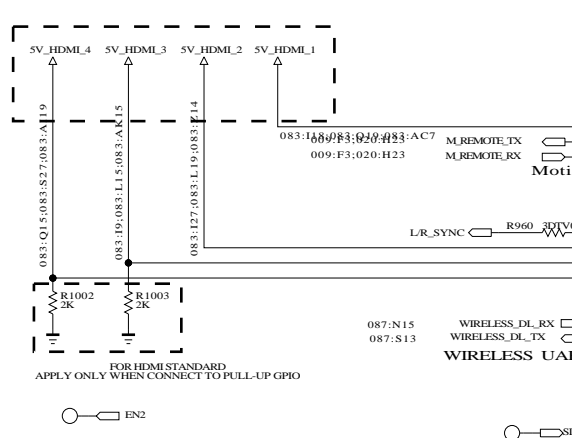
BCM3549 Boot Strap



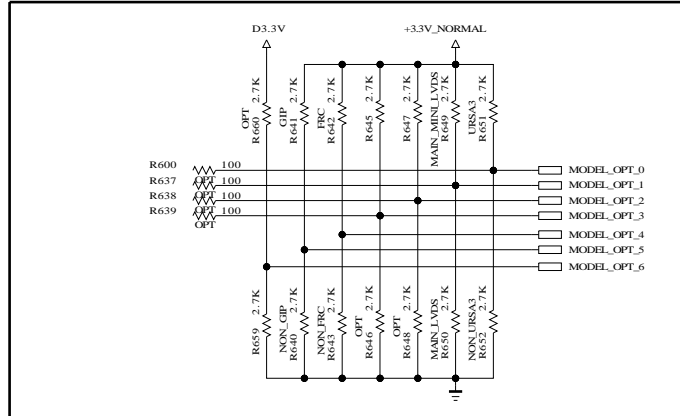
Motion Remote



FOR HDMI STANDARD



MODEL OPTION



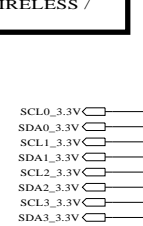
PIN NAME	PIN NO.	HIGH	LOW
MODEL_OPT_0	G26	URSA3	NON_URSA3
MODEL_OPT_1	R24	MAIN_MINI_LVDS	MAIN_LVDS
MODEL_OPT_2	K22	DDR-512M	DDR-256M
MODEL_OPT_3	K1	FHD	HD
MODEL_OPT_4	E23	FRC	NON_FRC
MODEL_OPT_5	D26	GIP	NON_GIP
MODEL_OPT_6	G25	OLED	NON_OLED

MODEL_OPT_0	MODEL_OPT_4
LOW	NO FRC
HIGH	URSA3 Internal
LOW	HIGH
HIGH	URSA3 External
LOW	PWIZ Panel T-con with LG FRC

I2C MAP

- * I2C_0: AT TUNER(C2,10) / CHB TUNER
- * I2C_1: MICOM(52) / NTP7000(54) / URSA3(B4)
- * I2C_2: HDMI SW(C0) / VIDEO ENC. / VSB DEMOD.CH BLOWER, SUB AMP
- * I2C_3: NVRAM(A8) / LG5111(1E) / P-GAMMA(E8) / WIRELESS / MEMC_240

Wireless I2C connection with I2C_3 Address : 0X20



THE SYMBOL MARK OF THIS SCHEMATIC DIAGRAM INCORPORATES SPECIAL FEATURES IMPORTANT FOR PROTECTION FROM X-RADIATION. FILRE AND ELECTRICAL SHOCK HAZARDS, WHEN SERVICING IF IS ESSENTIAL THAT ONLY MANUFACTURES SPECIFIED PARTS BE USED FOR THE CRITICAL COMPONENTS IN THE SYMBOL MARK OF THE SCHEMATIC.

SECRET
LGElectronics

LG ELECTRONICS

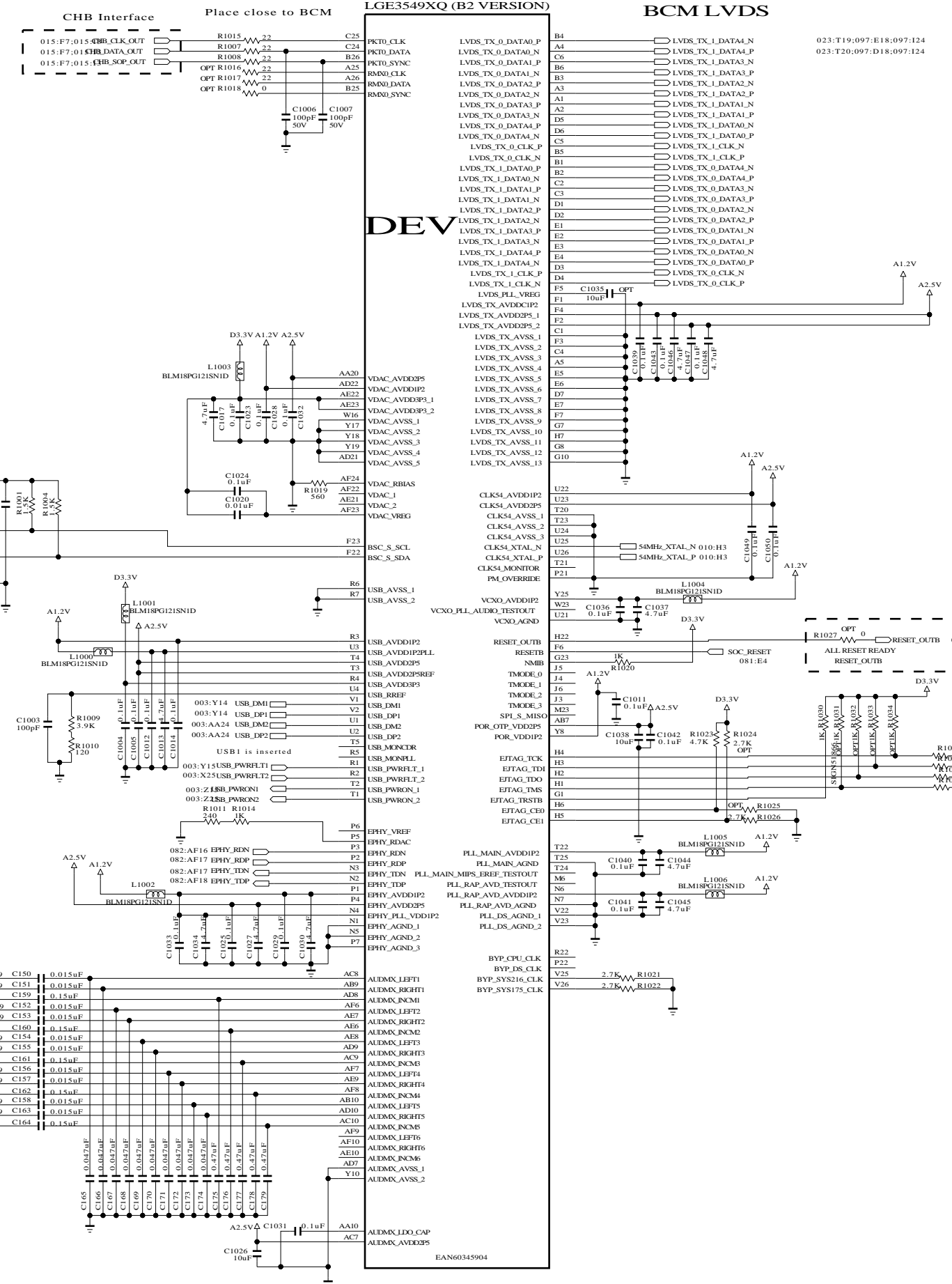
MODEL BLOCK	GP2_BCM_ATS	DATE SHEET	09/10/xx
	BCM-BOOT/FLASH/GPIO		9 / 100

BCM3549 LVDS/AUDIO

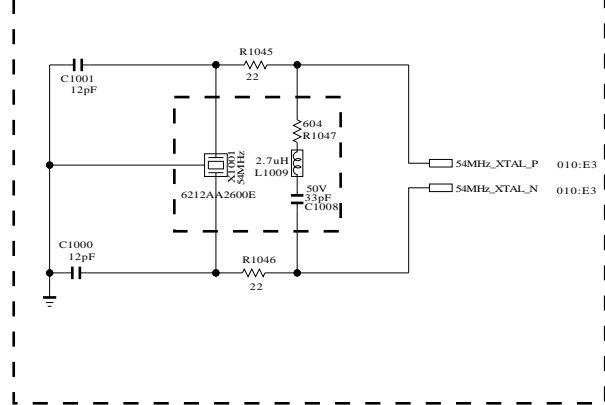
IC900

LGE3549XQ (B2 VERSION)

BCM LVDS



3rd Overtone Crystal

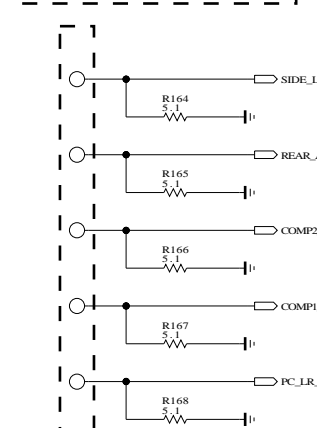


RESET

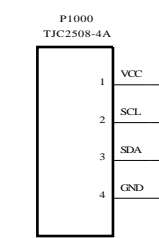


AUDIO INCM

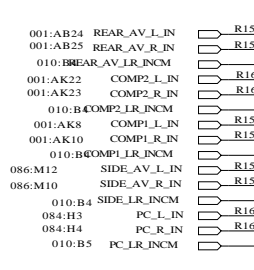
Route INCM between associated left and right signals of same channel. The INCM trace ends at the same point where the connector ground connects to the board ground (thru-hole connector pin).



BBS CONNECT



BCM AUDIO



#CAUTION
Location number is mixed
100 & 1000

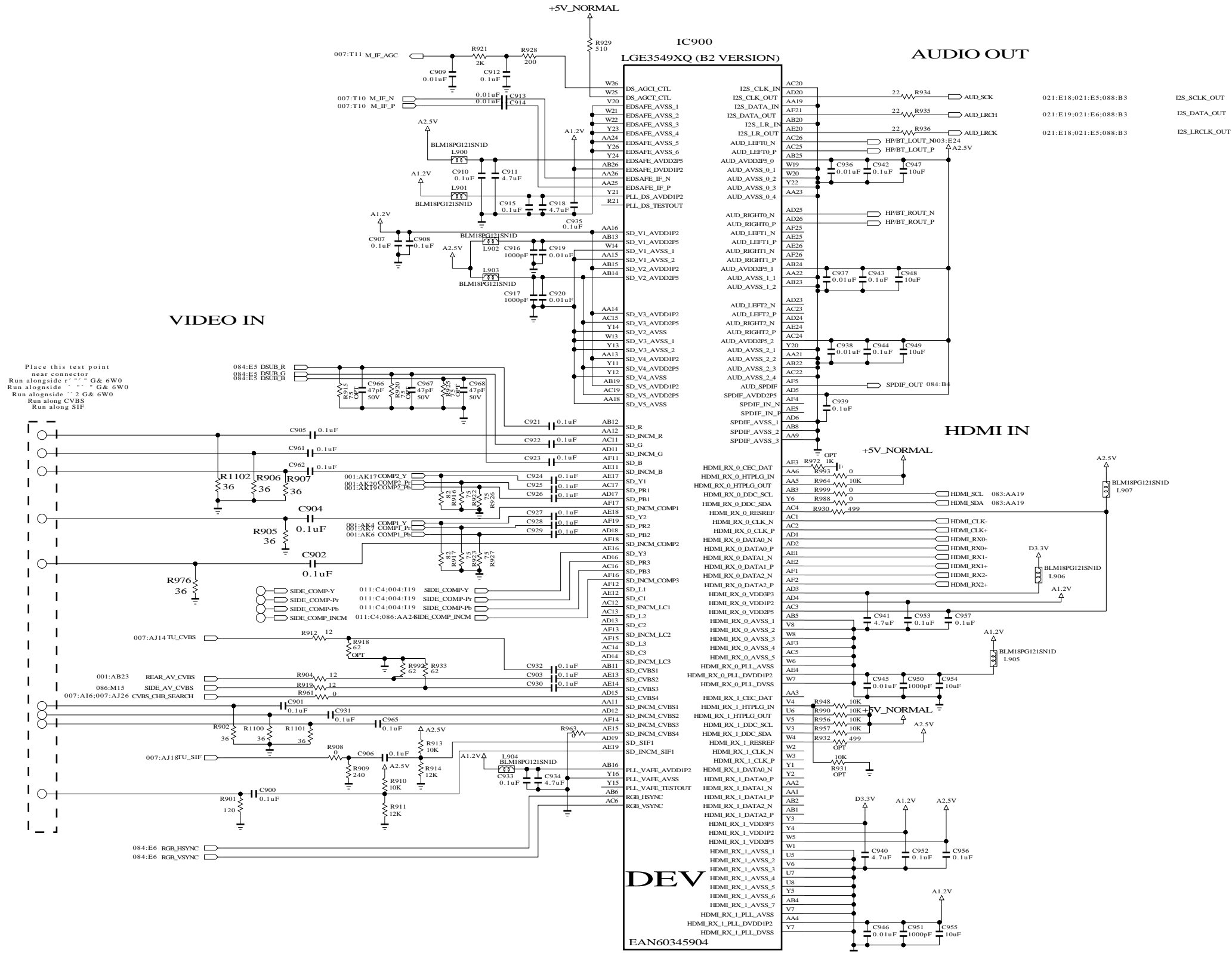
THE SYMBOL MARK OF THIS SCHEMATIC DIAGRAM INCORPORATES SPECIAL FEATURES IMPORTANT FOR PROTECTION FROM X-RADIATION. FILRE AND ELECTRICAL SHOCK HAZARDS, WHEN SERVICING IF IS ESSENTIAL THAT ONLY MANUFACTURES SPECIFIED PARTS BE USED FOR THE CRITICAL COMPONENTS IN THE SYMBOL MARK OF THE SCHEMATIC.

SECRET
LGElectronics



MODEL	GP2_BCM_ATS	DATE	09/10/xx
BLOCK	BCM-LVDS/AUDIO	SHEET	10 / 100

BCM3549 VIDEO



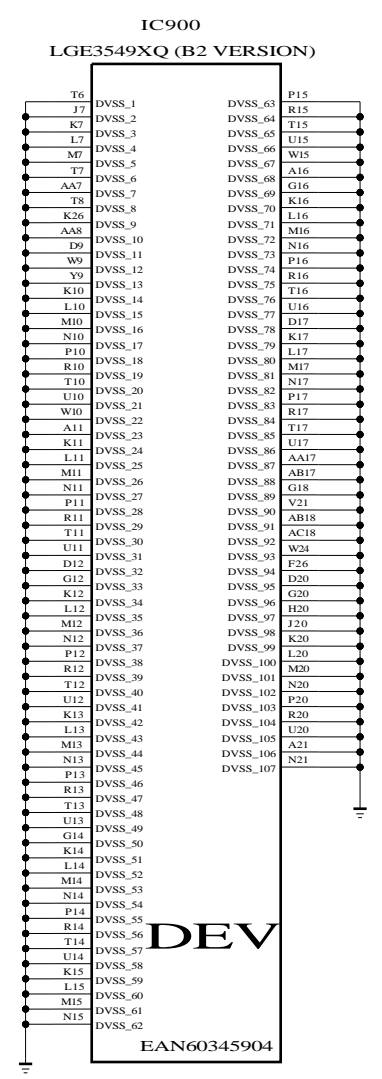
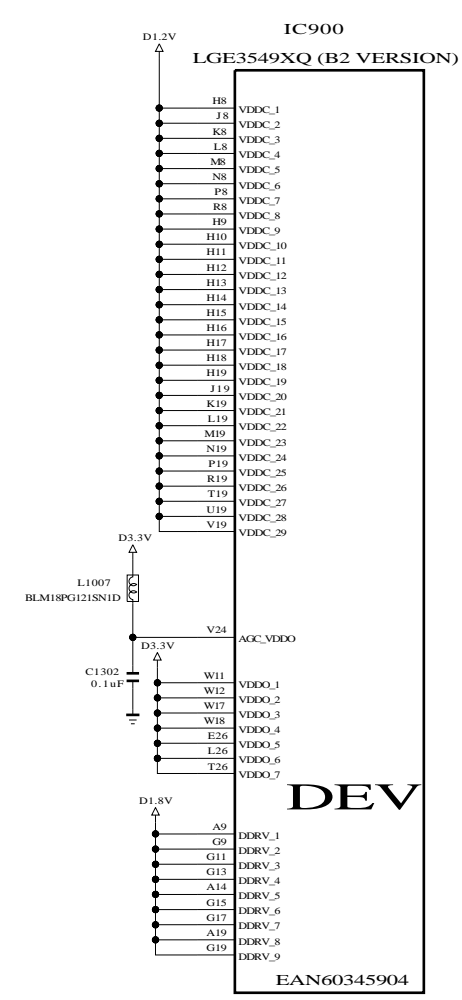
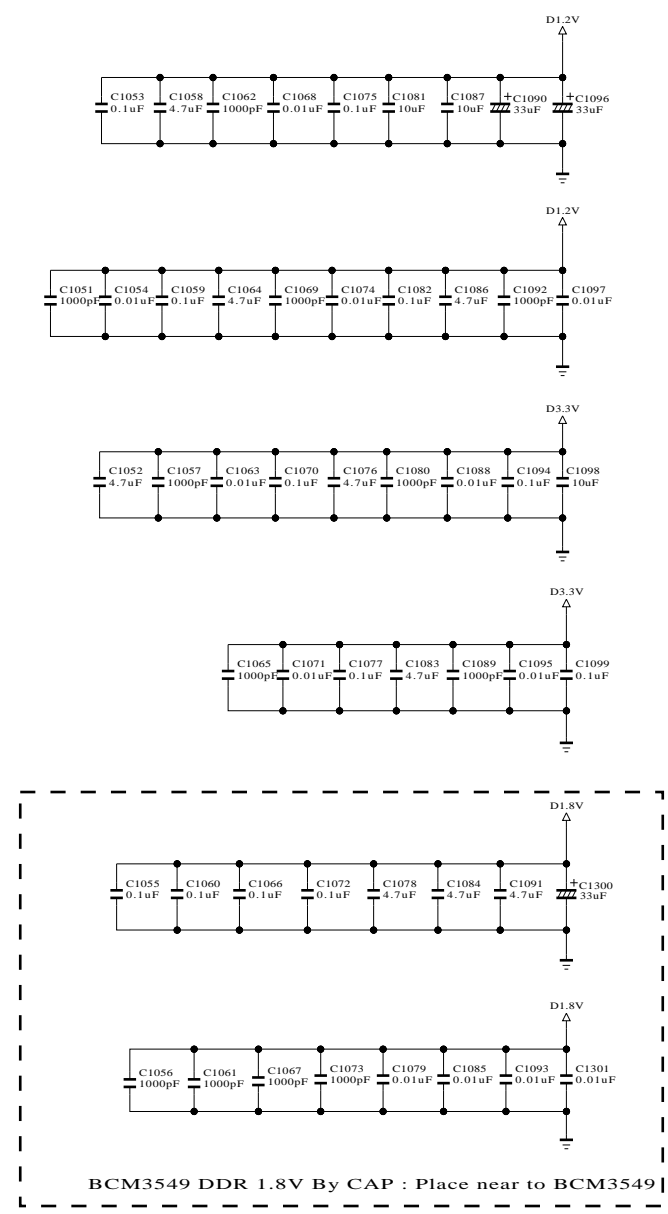
THE SYMBOL MARK OF THIS SCHEMATIC DIAGRAM INCORPORATES SPECIAL FEATURES IMPORTANT FOR PROTECTION FROM X-RADIATION. FILRE AND ELECTRICAL SHOCK HAZARDS, WHEN SERVICING IF IS ESSENTIAL THAT ONLY MANUFACTURES SPECIFIED PARTS BE USED FOR THE CRITICAL COMPONENTS IN THE SYMBOL MARK OF THE SCHEMATIC.

SECRET
LGElectronics



MODEL	GP2_BCM_ATSC	DATE	09/10/x x
BLOCK	BCM-VIDEO	SHEET	11 / 100

BCM3549 POWER



THE SYMBOL MARK OF THIS SCHEMATIC DIAGRAM INCORPORATES SPECIAL FEATURES IMPORTANT FOR PROTECTION FROM X-RADIATION, FILRE AND ELECTRICAL SHOCK HAZARDS, WHEN SERVICING IF IS ESSENTIAL THAT ONLY MANUFACTURES SPECIFIED PARTS BE USED FOR THE CRITICAL COMPONENTS IN THE SYMBOL MARK OF THE SCHEMATIC.

SECRET
LGElectronics

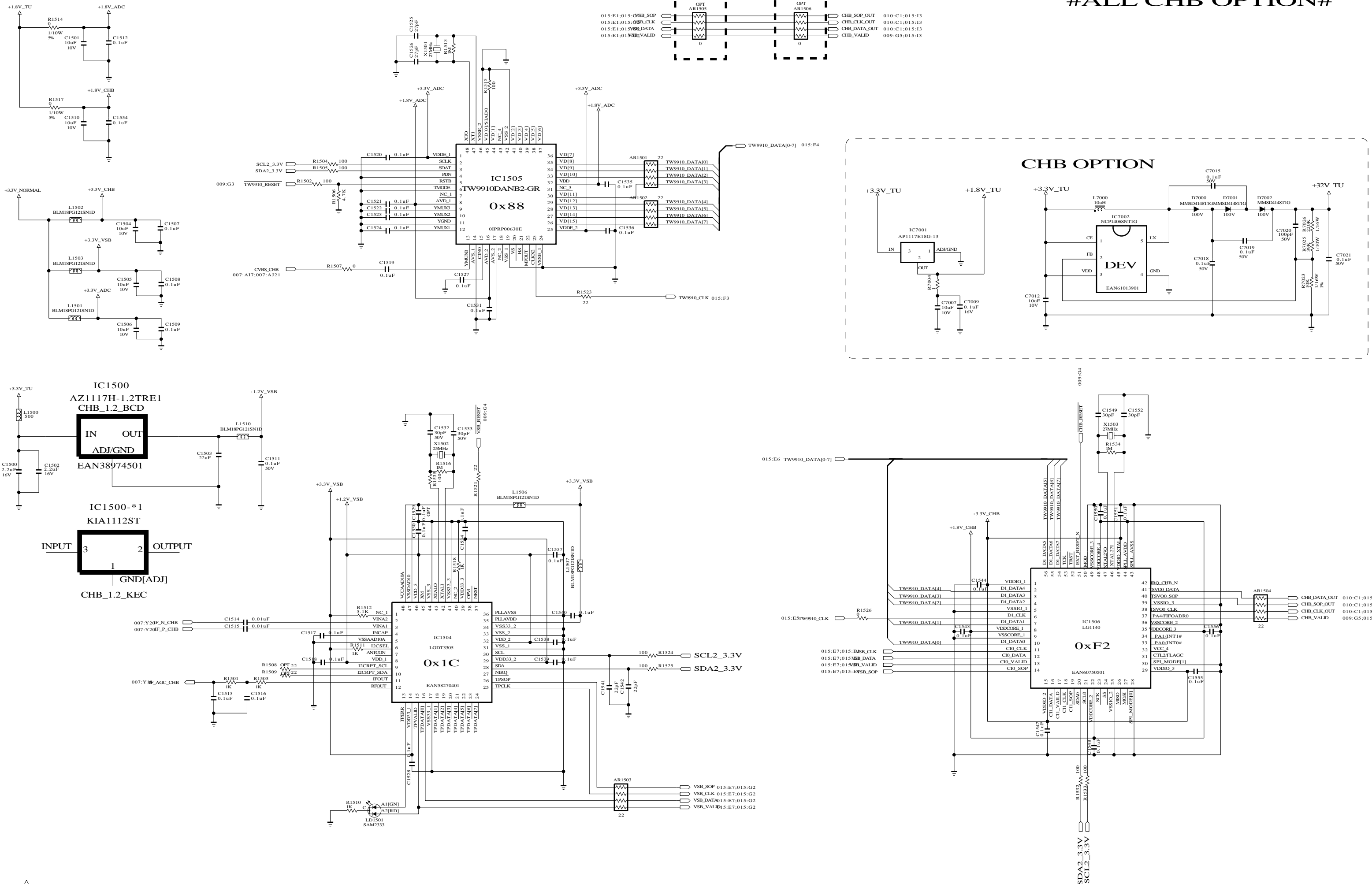
JANG JAE HO



MODEL	GP2_BCM_ATS	DATE	09/04/xx
BLOCK	BCM-POWER	SHEET	13 / 100

Channel Browser

#ALL CHB OPTION#



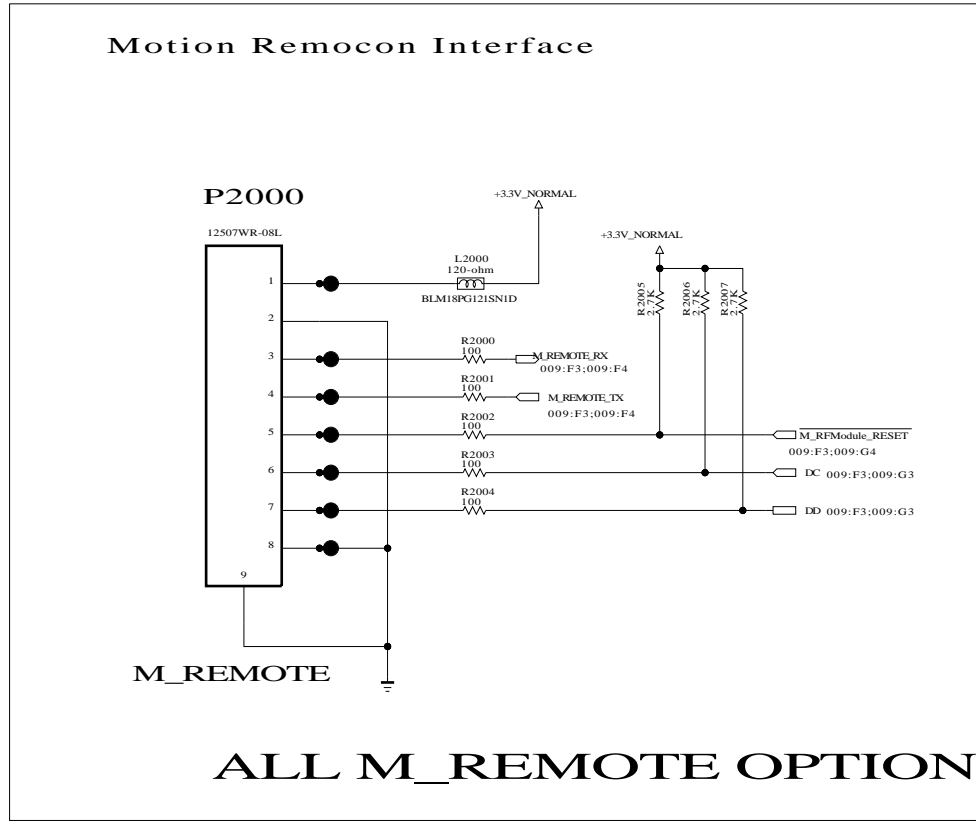
THE SYMBOL MARK OF THIS SCHEMATIC DIAGRAM INCORPORATES SPECIAL FEATURES IMPORTANT FOR PROTECTION FROM X-RADIATION, FILRE AND ELECTRICAL SHOCK HAZARDS, WHEN SERVICING IF IS ESSENTIAL THAT ONLY MANUFACTURES SPECIFIED PARTS BE USED FOR THE CRITICAL COMPONENTS IN THE SYMBOL MARK OF THE SCHEMATIC.

SECRET
LGElectronics



MODEL	GP2_BCM_ATSC	DATE	09.10
BLOCK	CHB	SHEET	15 / 100

Motion Remote controller



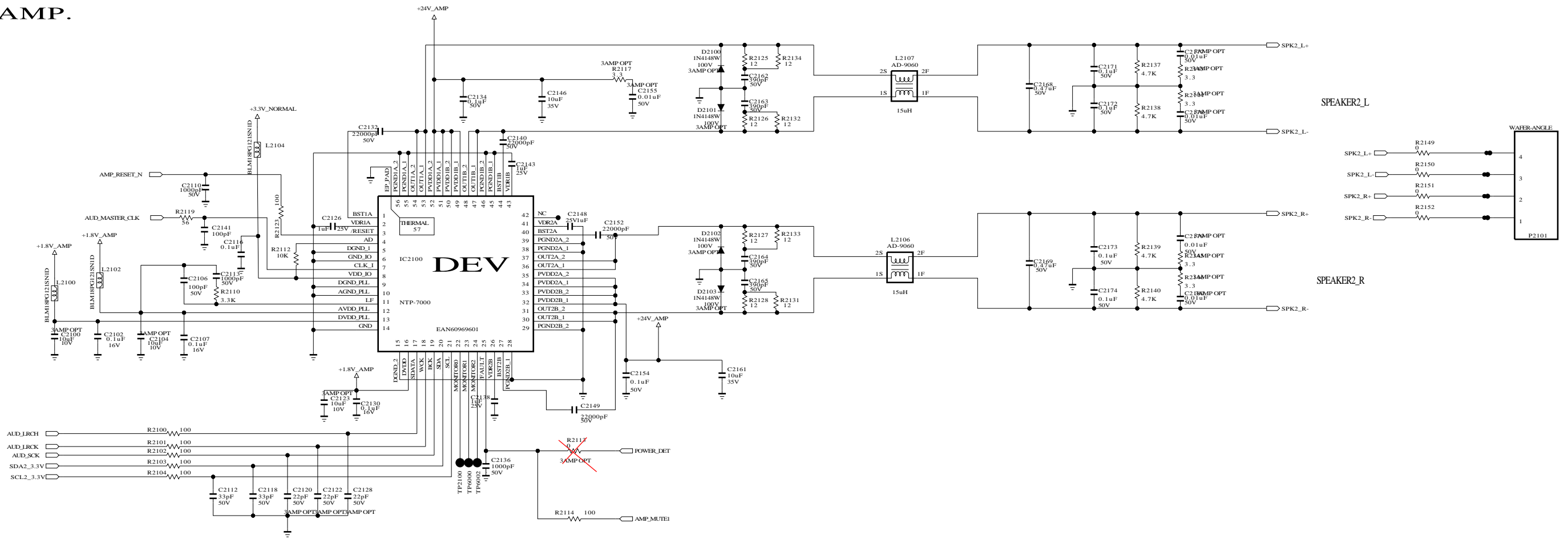
THE SYMBOL MARK OF THIS SCHEMATIC DIAGRAM INCORPORATES SPECIAL FEATURES IMPORTANT FOR PROTECTION FROM X-RADIATION. FILRE AND ELECTRICAL SHOCK HAZARDS, WHEN SERVICING IF IS ESSENTIAL THAT ONLY MANUFACTURES SPECIFIED PARTS BE USED FOR THE CRITICAL COMPONENTS IN THE SYMBOL MARK OF THE SCHEMATIC.

SECRET
LGElectronics

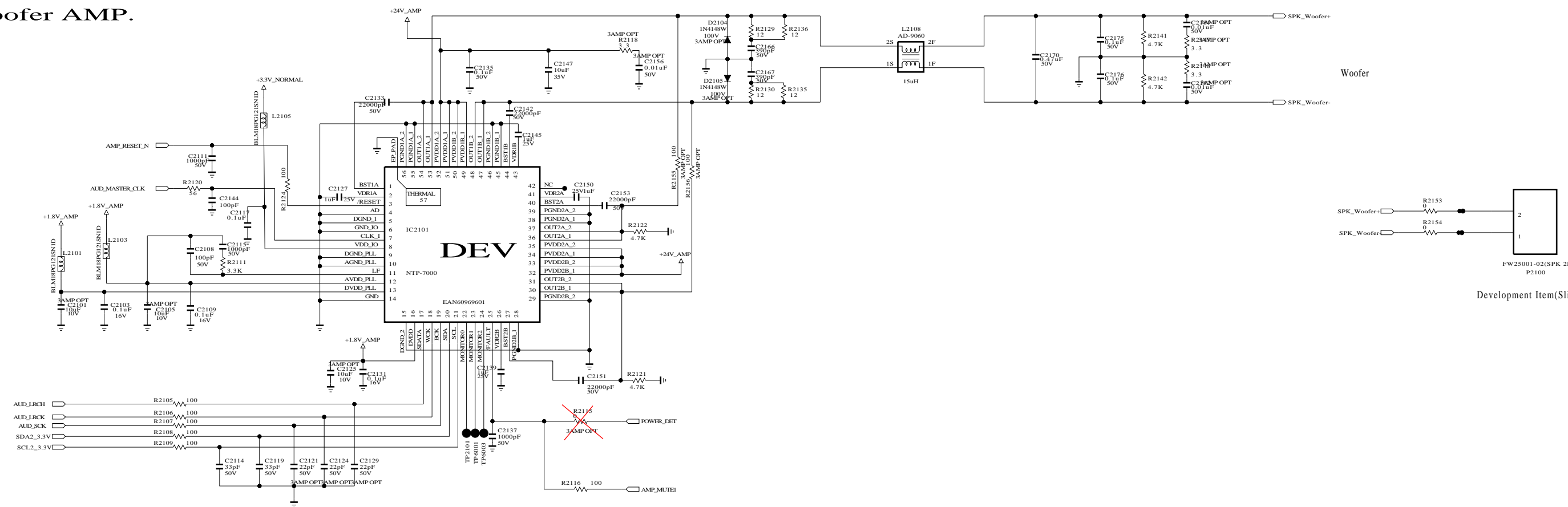
LG ELECTRONICS

MODEL	GP2_BCM_ATSC	DATE	09/10/xx
BLOCK	MOTION_REMOCO	SHEET	20 / 100

Sub AMP.



Woofers AMP.



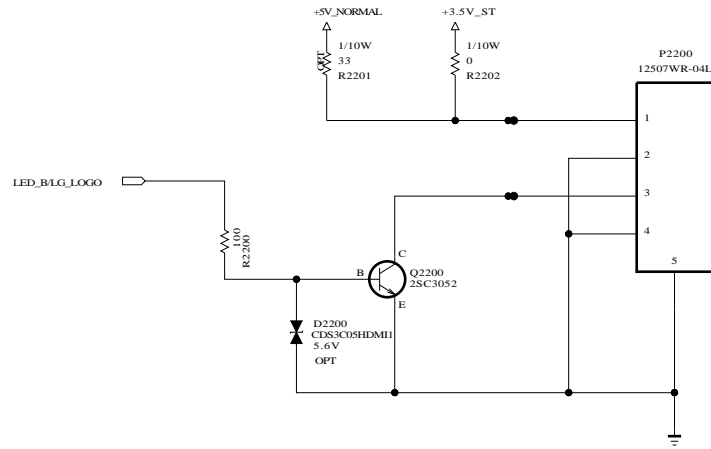
THE SYMBOL MARK OF THIS SCHEMATIC DIAGRAM INCORPORATES SPECIAL FEATURES IMPORTANT FOR PROTECTION FROM X-RADIATION. FILRE AND ELECTRICAL SHOCK HAZARDS, WHEN SERVING IF IS ESSENTIAL THAT ONLY MANUFACTURES SPECIFIED PARTS BE USED FOR THE CRITICAL COMPONENTS IN THE SYMBOL MARK OF THE SCHEMATIC.

SECRET
LGElectronics



MODEL	GP2_BCM_ATSC	DATE	09.10
BLOCK	AMP_SUB_NTP	SHEET	21 / 100

LG LOGO FOR LE9500

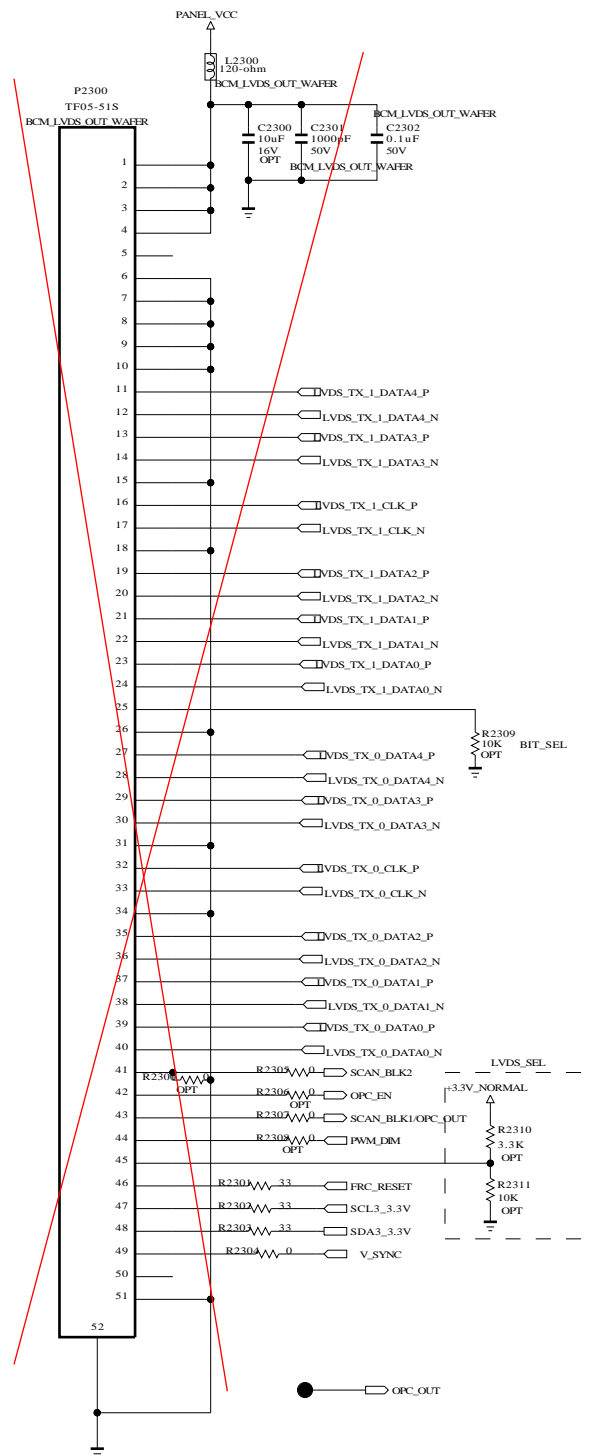


THE SYMBOL MARK OF THIS SCHEMATIC DIAGRAM INCORPORATES SPECIAL FEATURES IMPORTANT FOR PROTECTION FROM X-RADIATION. FILRE AND ELECTRICAL SHOCK HAZARDS, WHEN SERVICING IF IS ESSENTIAL THAT ONLY MANUFACTURES SPECIFIED PARTS BE USED FOR THE CRITICAL COMPONENTS IN THE SYMBOL MARK OF THE SCHEMATIC.

SECRET	LG ELECTRONICS
LGElectronics	

MODEL	GP2_BCM_ATSC	DATE	09/10/xx
BLOCK	LG_LOGO_LE9500	SHEET	22 / 100

[51Pin LVDS Connector]
(For FHD 60Hz)



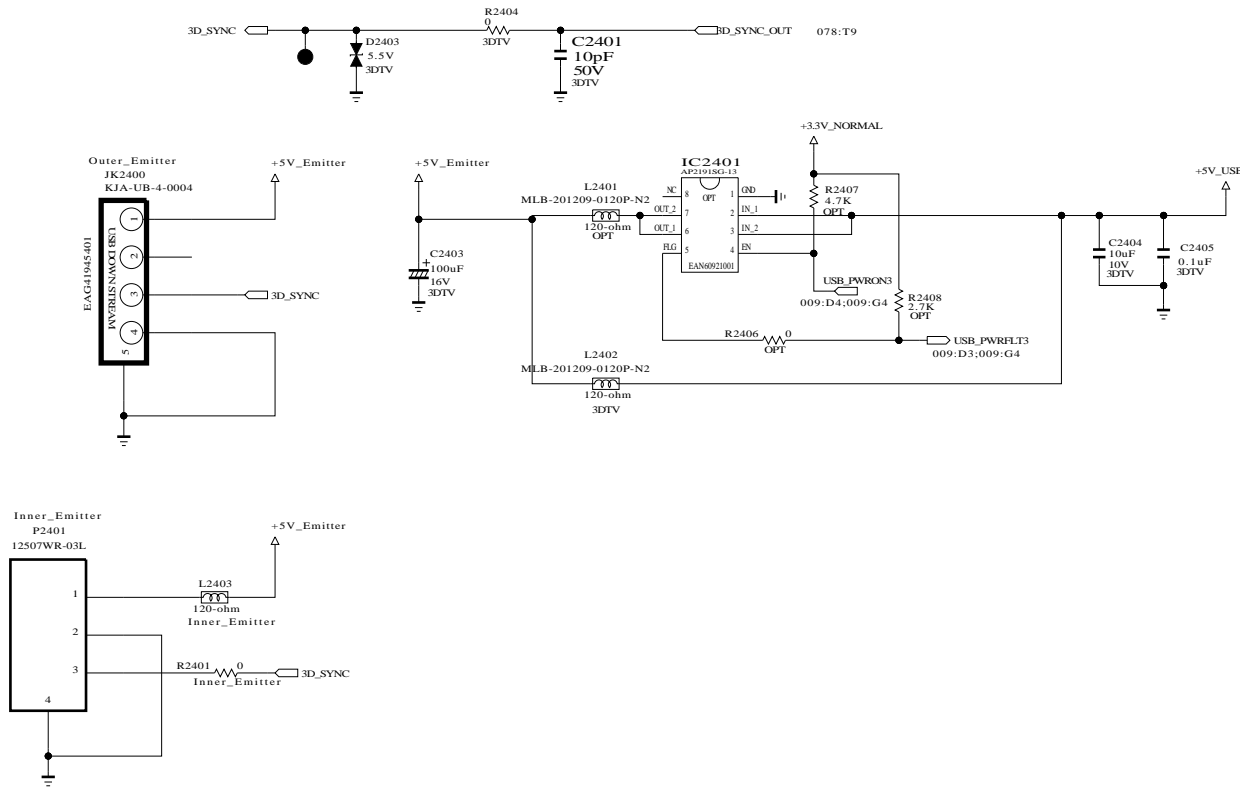
THE SYMBOL MARK OF THIS SCHEMATIC DIAGRAM INCORPORATES SPECIAL FEATURES IMPORTANT FOR PROTECTION FROM X-RADIATION. FILRE AND ELECTRICAL SHOCK HAZARDS, WHEN SERVICING IF IS ESSENTIAL THAT ONLY MANUFACTURES SPECIFIED PARTS BE USED FOR THE CRITICAL COMPONENTS IN THE SYMBOL MARK OF THE SCHEMATIC.


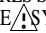
SECRET
LGElectronics



MODEL	GP2_BCM_ATSC	DATE	09.10
BLOCK	LVDS_LE9500	SHEET	23 / 100

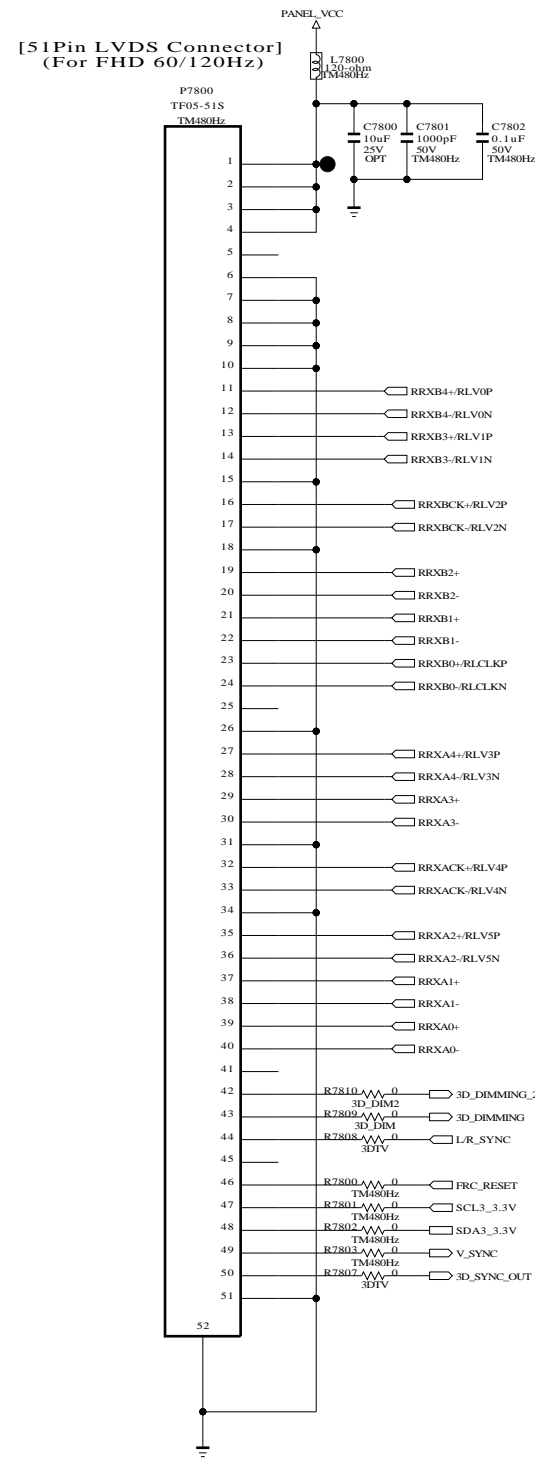
SIDE IR Emitter sync USB JACK



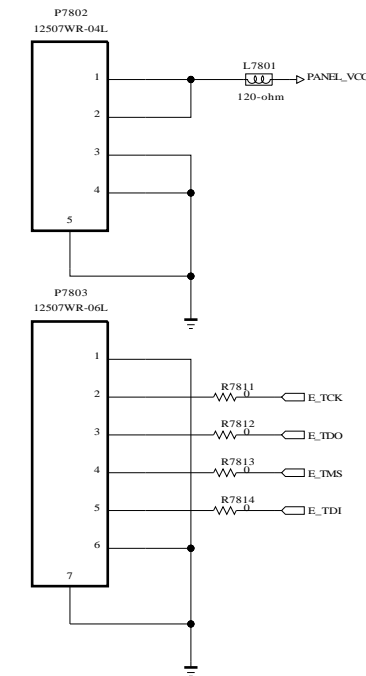
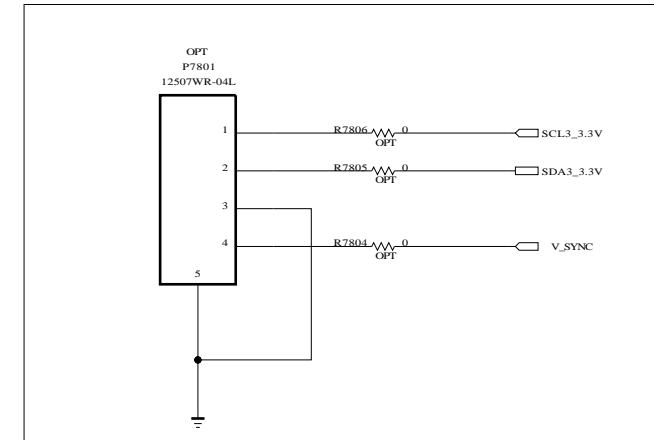
THE  SYMBOL MARK OF THIS SCHEMATIC DIAGRAM INCORPORATES SPECIAL FEATURES IMPORTANT FOR PROTECTION FROM X-RADIATION. FILRE AND ELECTRICAL SHOCK HAZARDS. WHEN SERVICING IF IS ESSENTIAL THAT ONLY MANUFACTURES SPECIFIED PARTS BE USED FOR THE CRITICAL COMPONENTS IN THE  SYMBOL MARK OF THE SCHEMATIC.

SECRET	 LG ELECTRONICS
LG Electronics	

MODEL	GP2_BCM_ATSC	DATE	09/11/18
BLOCK	3D_IR_GENDER	SHEET	24 / 100



I2C_#3 Check(LG5111, LG1120, etc)



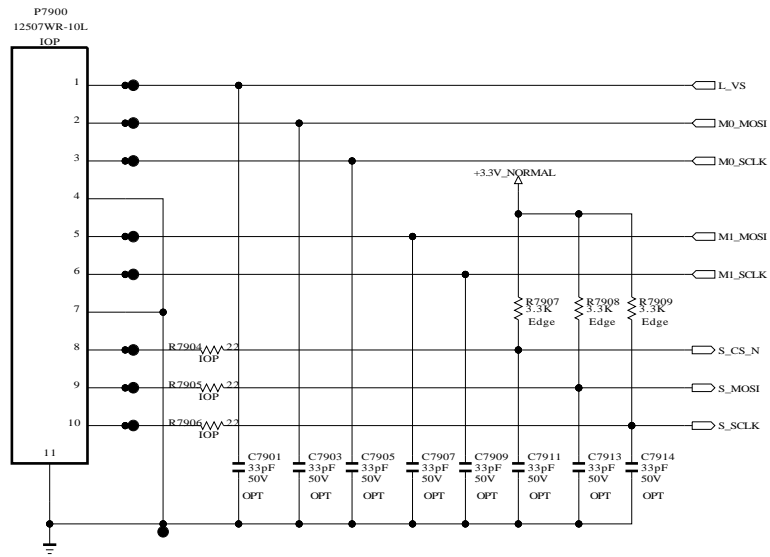
THE SYMBOL MARK OF THIS SCHEMATIC DIAGRAM INCORPORATES SPECIAL FEATURES IMPORTANT FOR PROTECTION FROM X-RADIATION. FILRE AND ELECTRICAL SHOCK HAZARDS, WHEN SERVICING IF IS ESSENTIAL THAT ONLY MANUFACTURES SPECIFIED PARTS BE USED FOR THE CRITICAL COMPONENTS IN THE SYMBOL MARK OF THE SCHEMATIC.

SECRET
LGElectronics

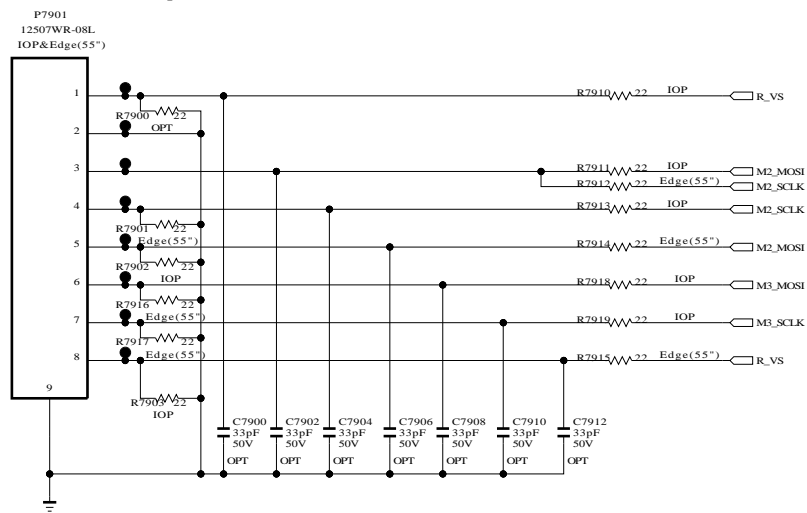
LG ELECTRONICS

MODEL	COMMON	DATE	09/10/xx
BLOCK	LG5111 60Hz LVDS	SHEET	78 / 100

[To MASTER LED DRIVER]



[To SLAVE LED DRIVER]



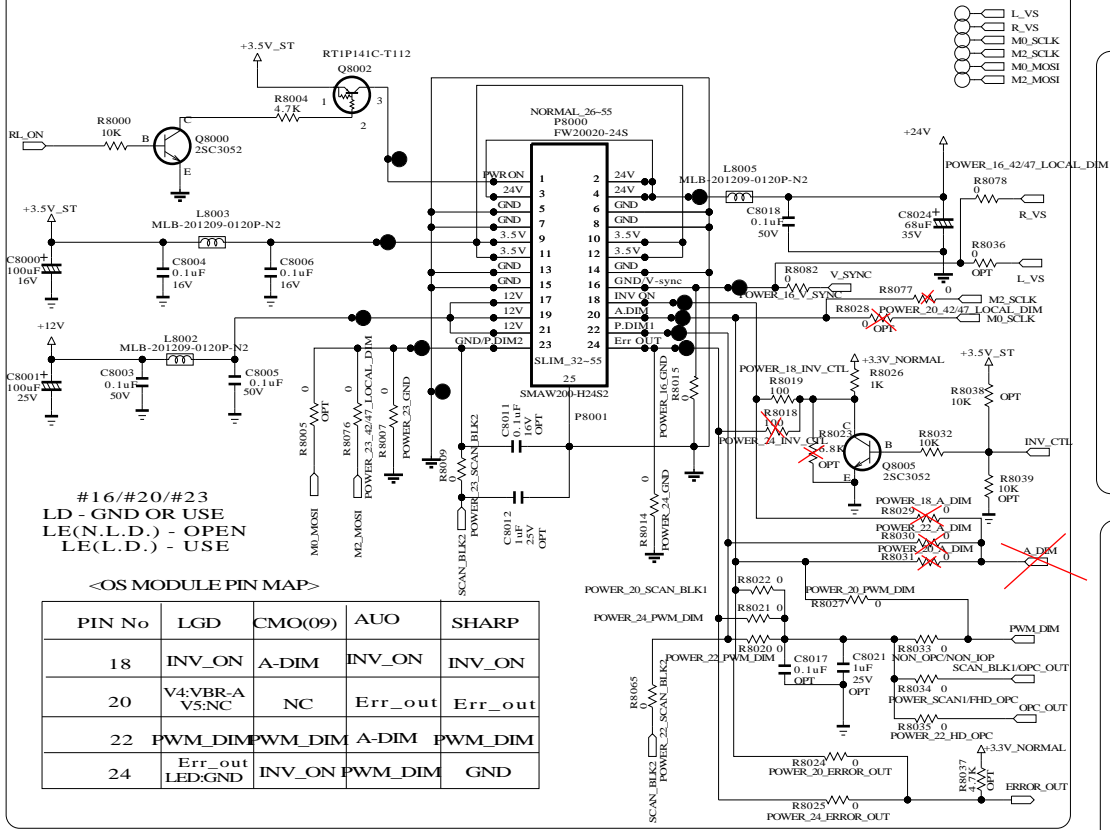
THE SYMBOL MARK OF THIS SCHEMATIC DIAGRAM INCORPORATES SPECIAL FEATURES IMPORTANT FOR PROTECTION FROM X-RADIATION. FILRE AND ELECTRICAL SHOCK HAZARDS, WHEN SERVICING IF IS ESSENTIAL THAT ONLY MANUFACTURES SPECIFIED PARTS BE USED FOR THE CRITICAL COMPONENTS IN THE SYMBOL MARK OF THE SCHEMATIC.

SECRET
LGElectronics

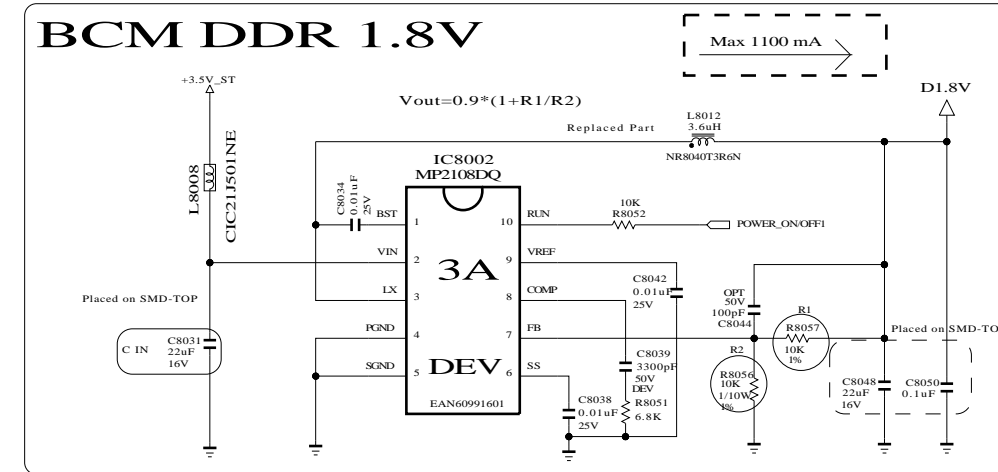
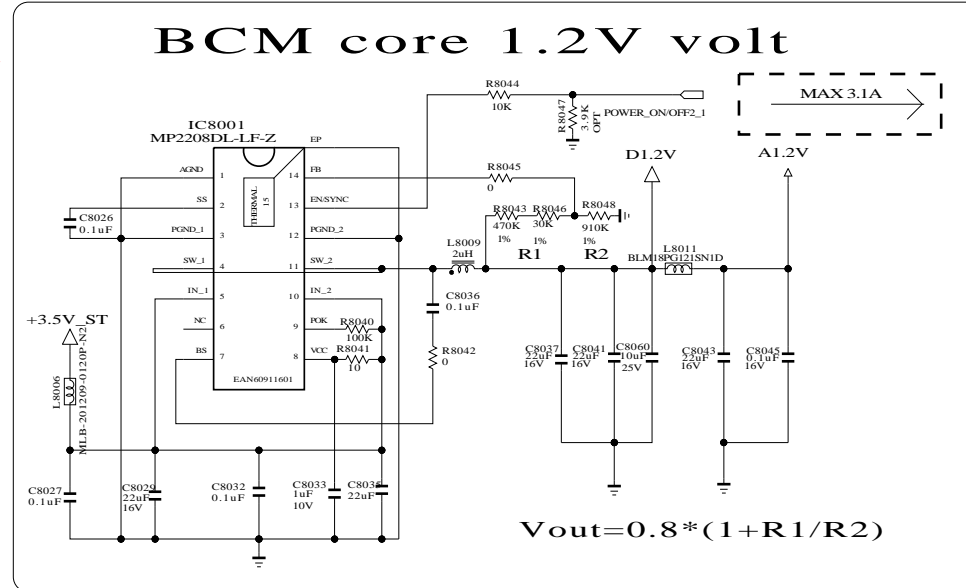
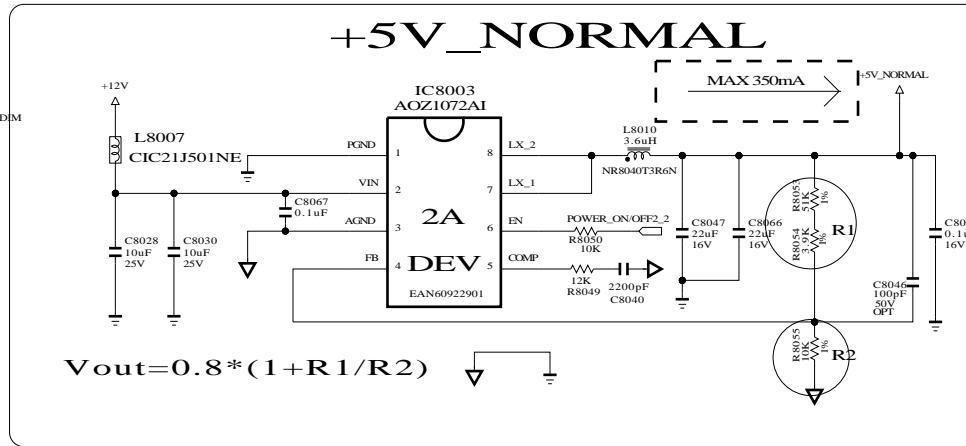
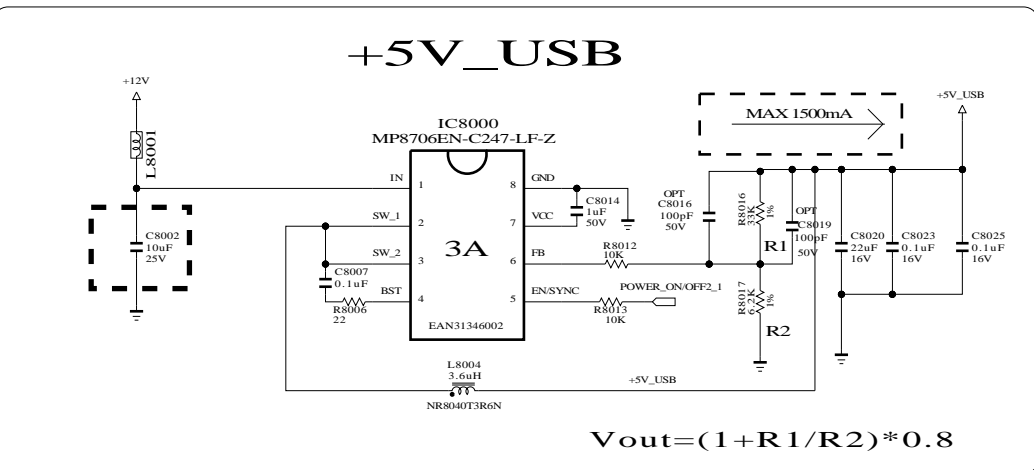
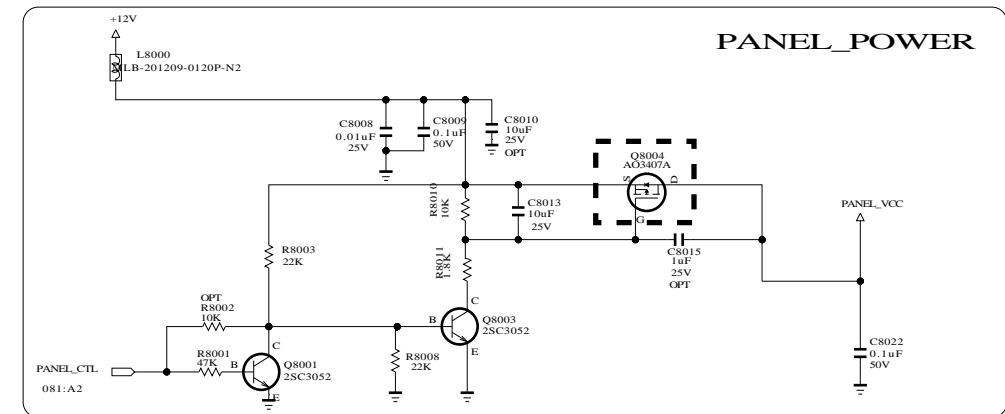


MODEL	GP2_Saturn7M	DATE	Ver. 1.0
BLOCK	Interface for LG511	SHEET	72 /

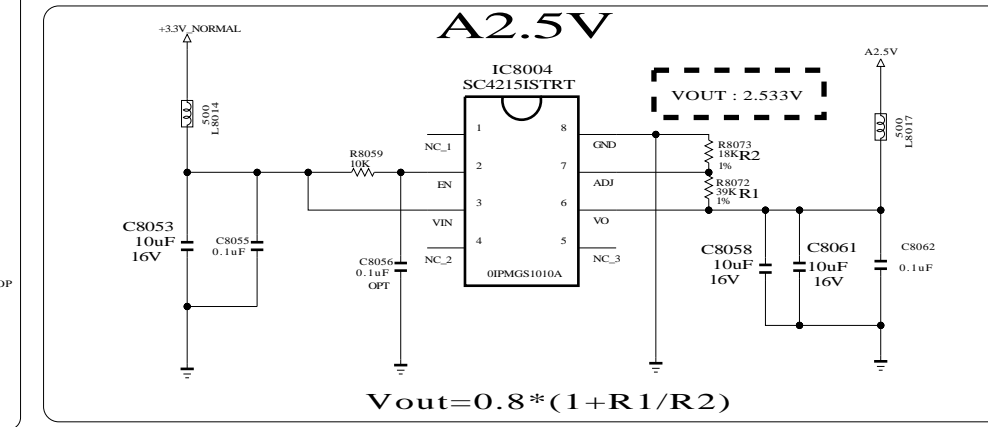
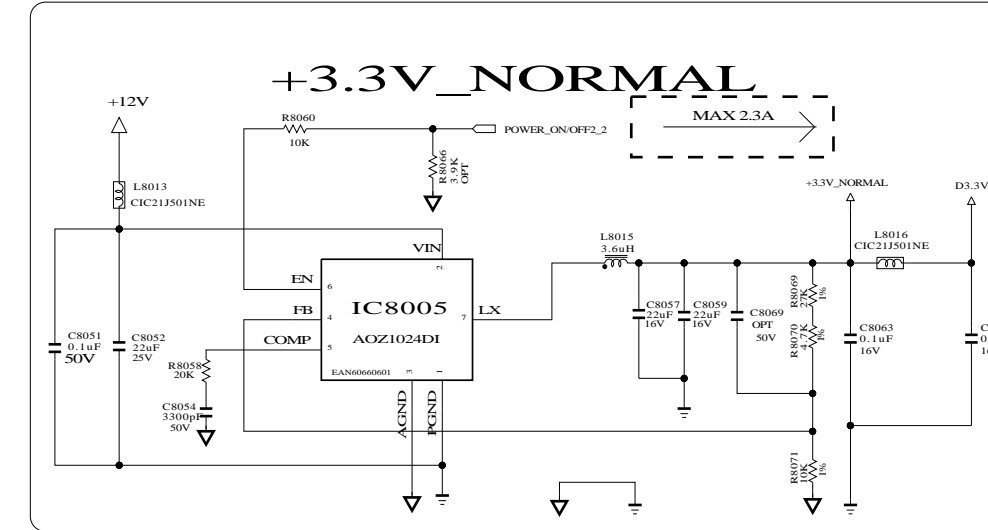
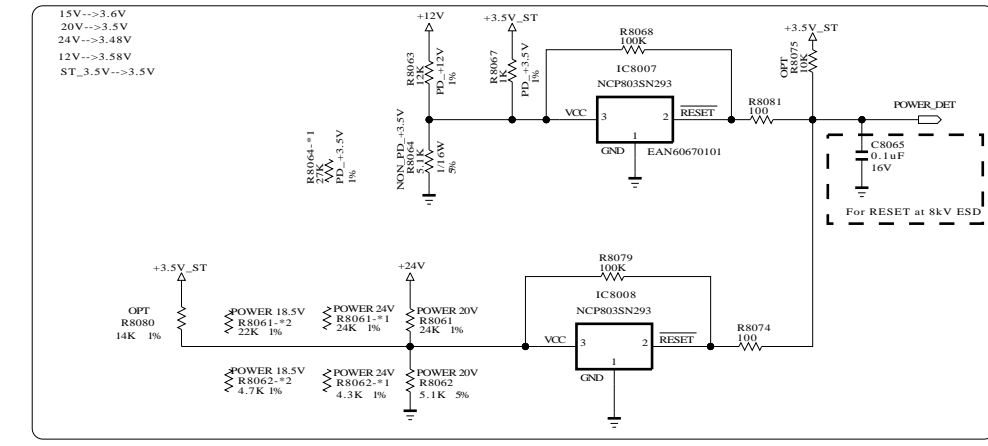
FROM LIPS & POWER B/D



CHECK PWR/MODULE PIN MAP



Power_DET

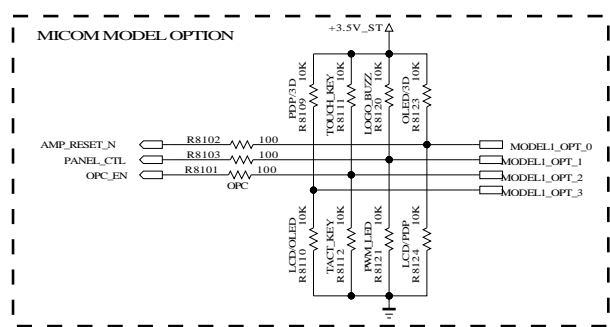
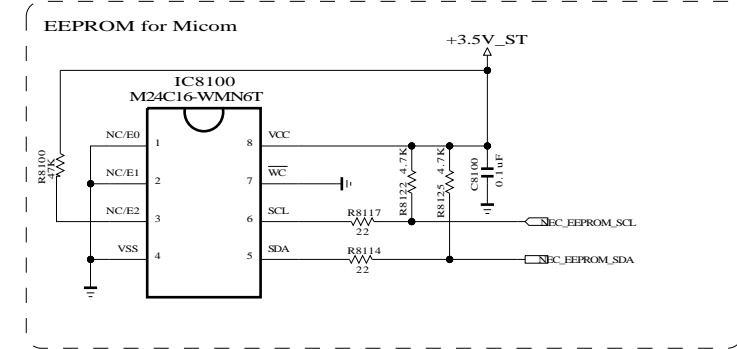
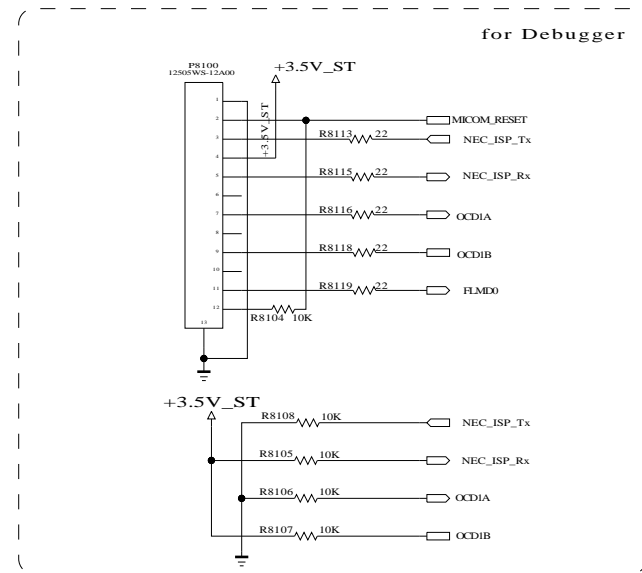
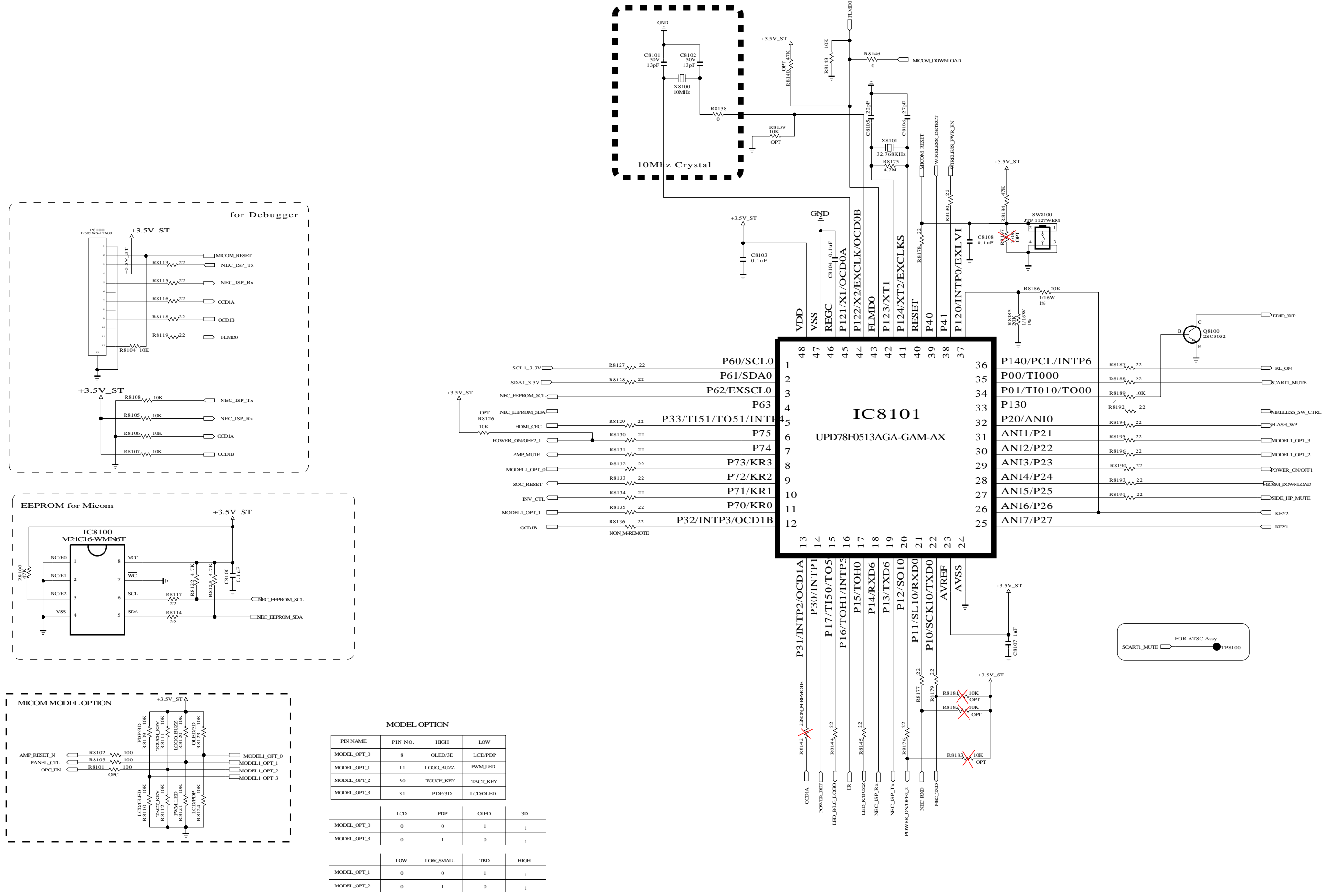


THE SYMBOL MARK OF THIS SCHEMATIC DIAGRAM INCORPORATES SPECIAL FEATURES IMPORTANT FOR PROTECTION FROM X-RADIATION. FILRE AND ELECTRICAL SHOCK HAZARDS, WHEN SERVICING IF IS ESSENTIAL THAT ONLY MANUFACTURES SPECIFIED PARTS BE USED FOR THE CRITICAL COMPONENTS IN THE SYMBOL MARK OF THE SCHEMATIC.

SECRET
LGElectronics



MODEL	COMMON	DATE	09/10/xx
BLOCK	POWER	SHEET	80 / 100

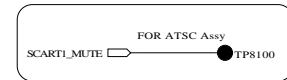


MODEL OPTION

PIN NAME	PIN NO.	HIGH	LOW
MODEL_OPT_0	8	OLED/3D	LCD/PDP
MODEL_OPT_1	11	LOGO_BUZZ	PWM_LED
MODEL_OPT_2	30	TOUCH_KEY	TACT_KEY
MODEL_OPT_3	31	PDP/3D	LCD/OLED

	LCD	PDP	OLED	3D
MODEL_OPT_0	0	0	1	1
MODEL_OPT_3	0	1	0	1

	LOW	LOW_SMALL	TBD	HIGH
MODEL_OPT_1	0	0	1	1
MODEL_OPT_2	0	1	0	1



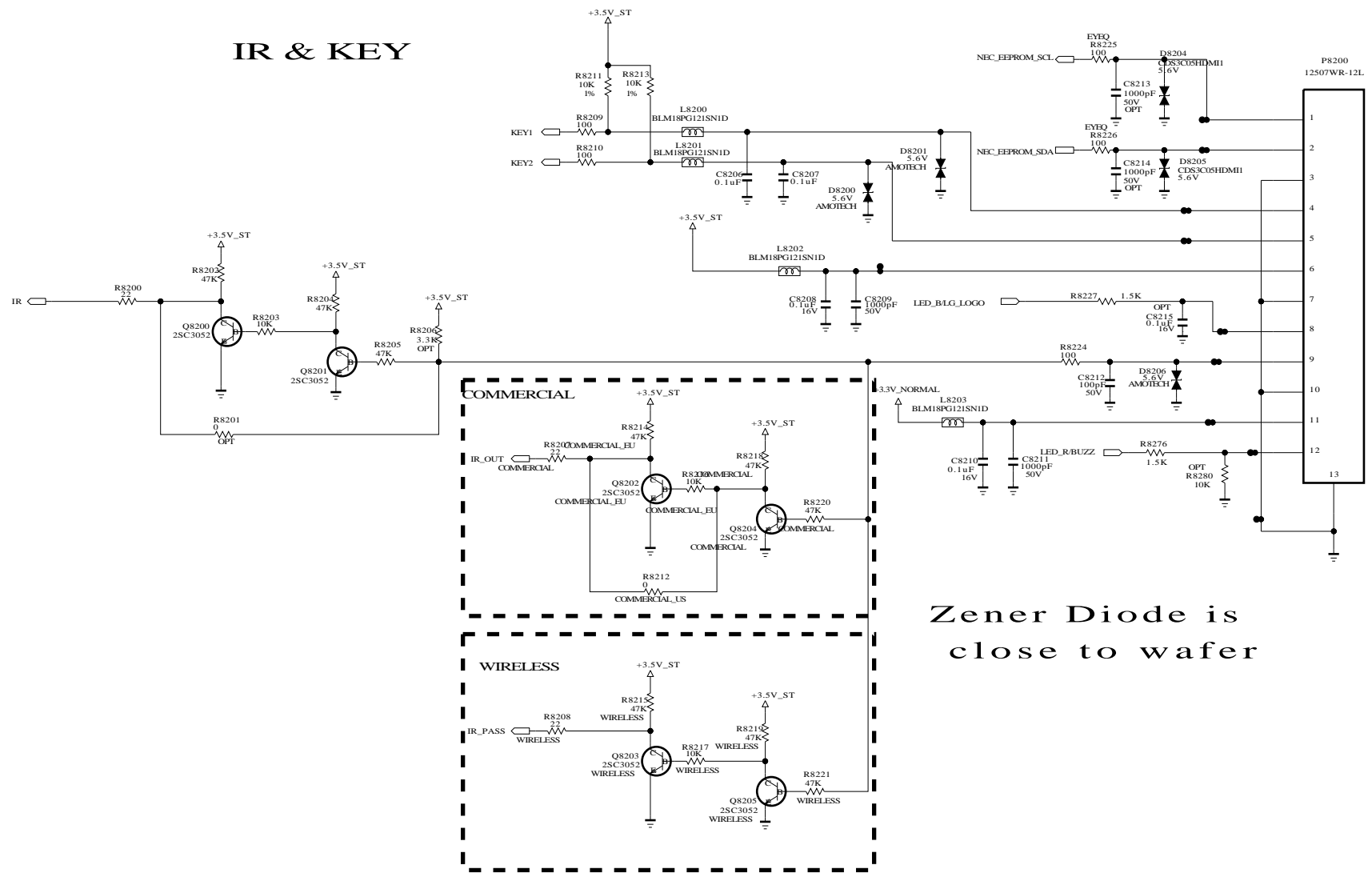
THE SYMBOL MARK OF THIS SCHEMATIC DIAGRAM INCORPORATES SPECIAL FEATURES IMPORTANT FOR PROTECTION FROM X-RADIATION. FILRE AND ELECTRICAL SHOCK HAZARDS, WHEN SERVICING IF IS ESSENTIAL THAT ONLY MANUFACTURES SPECIFIED PARTS BE USED FOR THE CRITICAL COMPONENTS IN THE SYMBOL MARK OF THE SCHEMATIC.

SECRET
LGElectronics



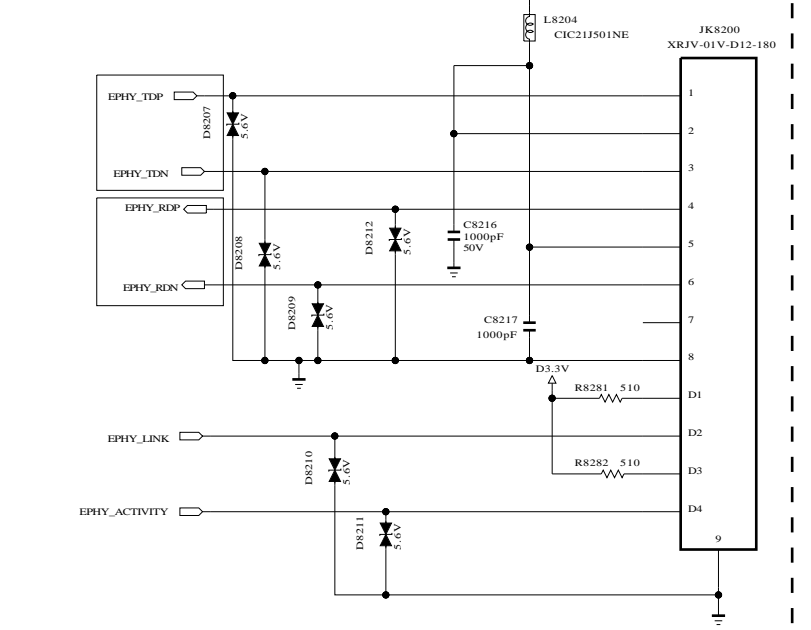
MODEL	GP2_Saturn7M	DATE	Ver. 1.4
BLOCK	MICOM	SHEET	5 /

IR & KEY



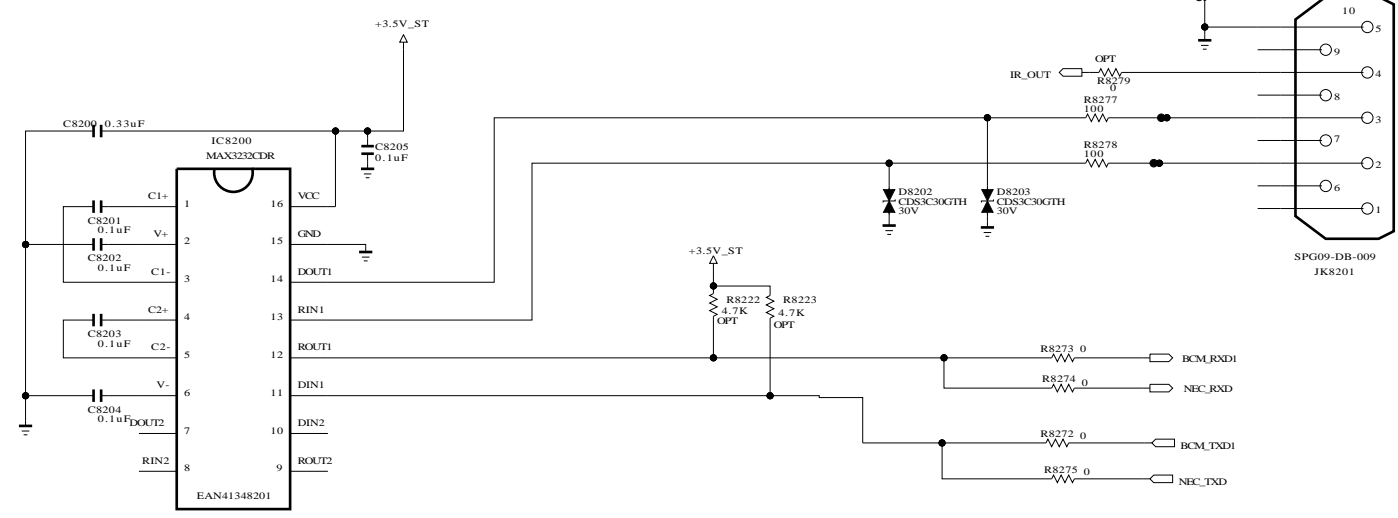
Zener Diode is close to wafer

ETHERNET CONNECT



Trace impedance : 100 ohm differential impedance to GND plane | 5 mils trace width with 7 mils air gap on P/N pair. Adjacent TX/RX differential pairs should be separated by more than 15 mils to each other

RS232C

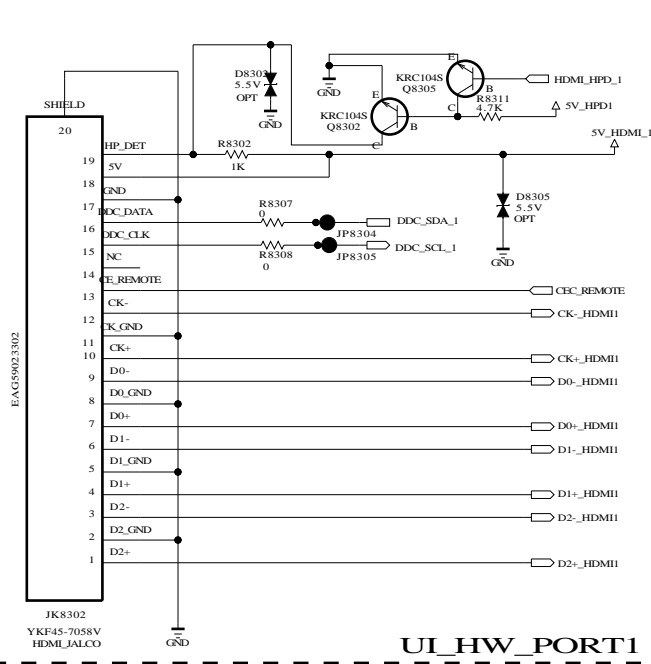


THE SYMBOL MARK OF THIS SCHEMATIC DIAGRAM INCORPORATES SPECIAL FEATURES IMPORTANT FOR PROTECTION FROM X-RADIATION. FILRE AND ELECTRICAL SHOCK HAZARDS, WHEN SERVICING IF IS ESSENTIAL THAT ONLY MANUFACTURES SPECIFIED PARTS BE USED FOR THE CRITICAL COMPONENTS IN THE SYMBOL MARK OF THE SCHEMATIC.

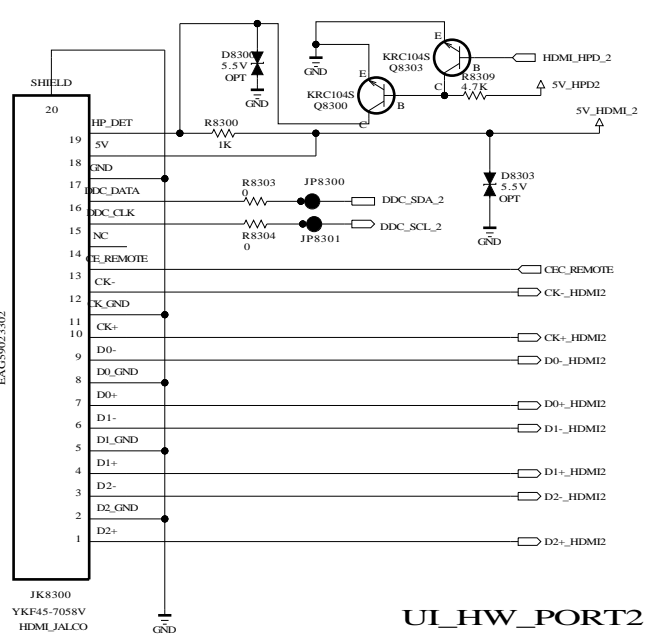
SECRET
LGElectronics



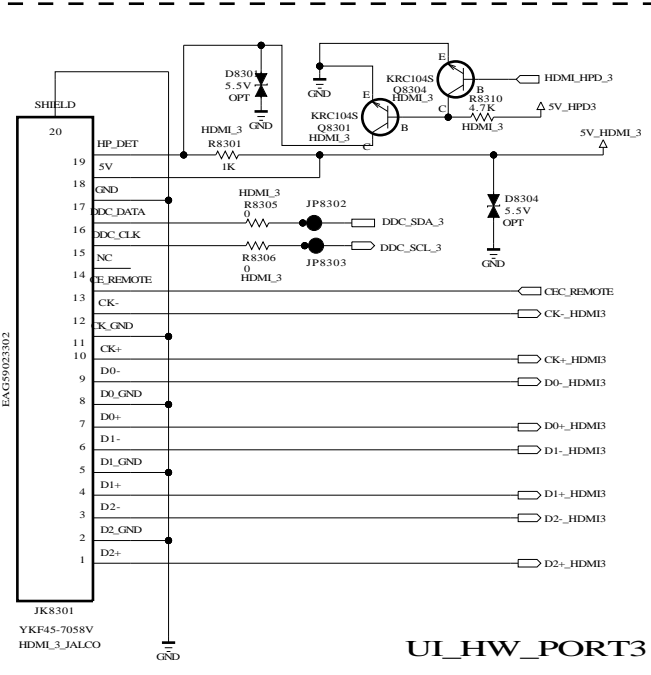
MODEL		DATE	
BLOCK		SHEET	



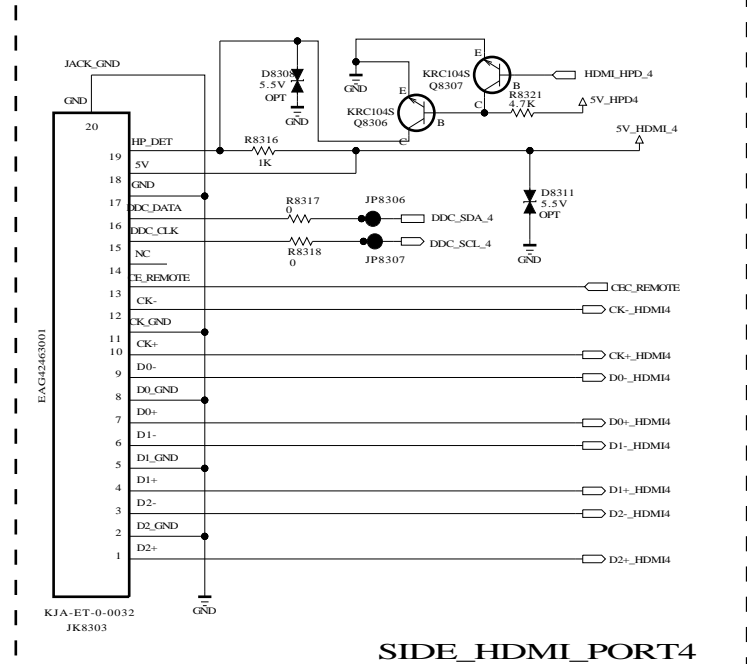
UI_HW_PORT1



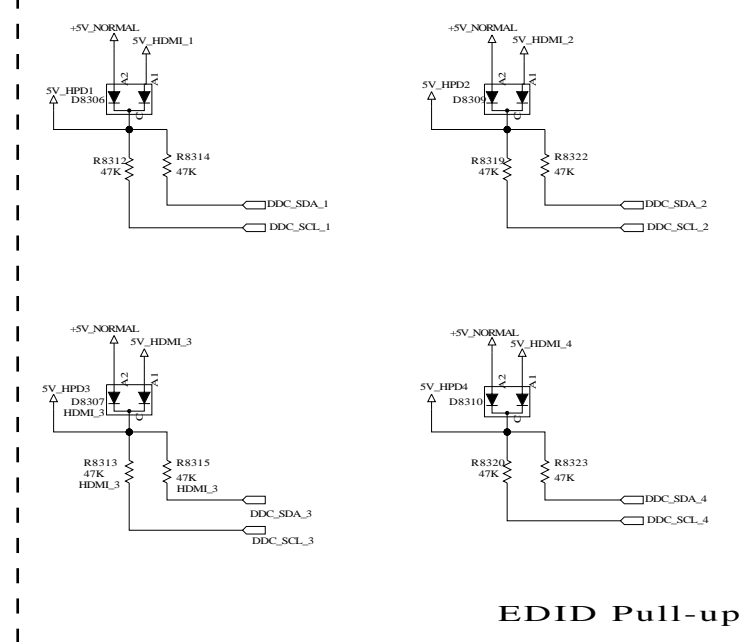
UI_HW_PORT2



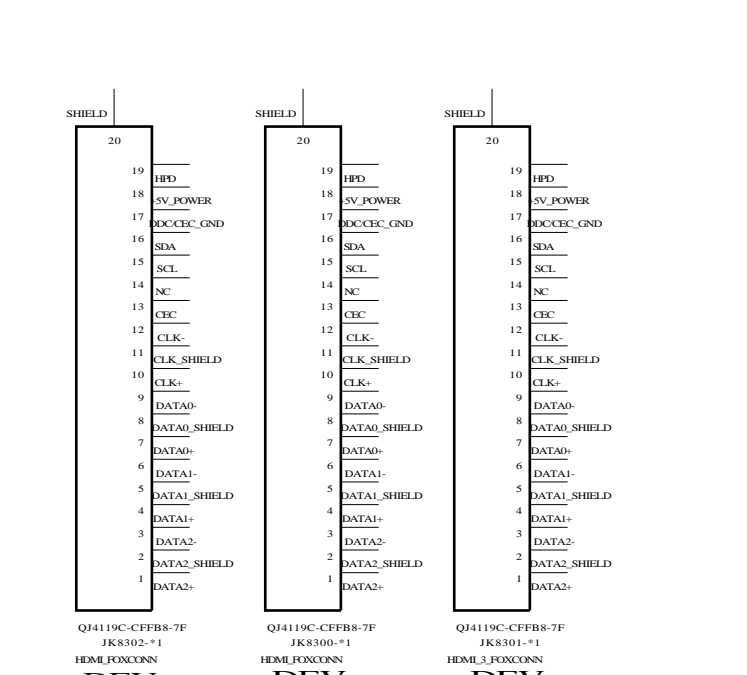
UI_HW_PORT3



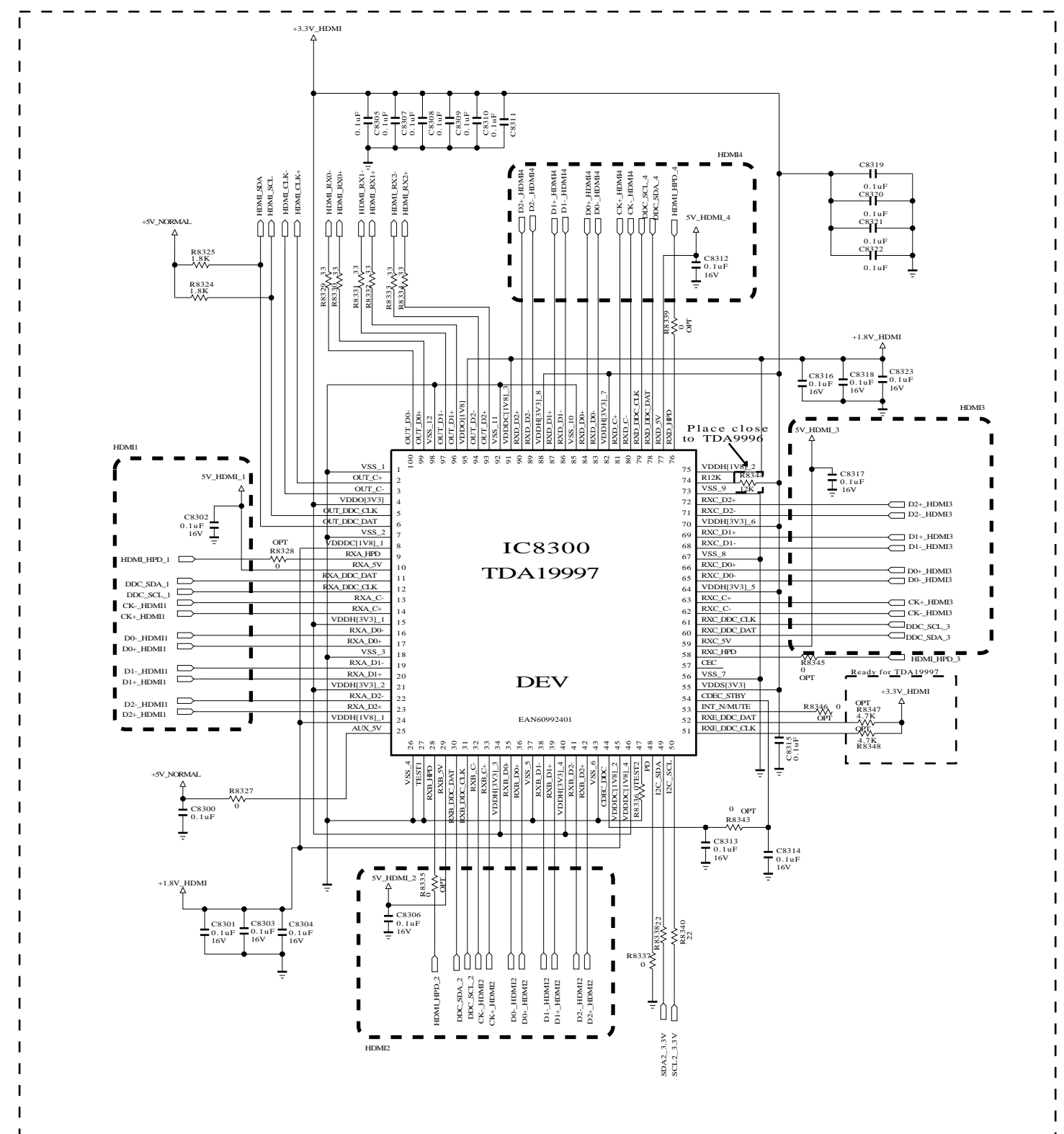
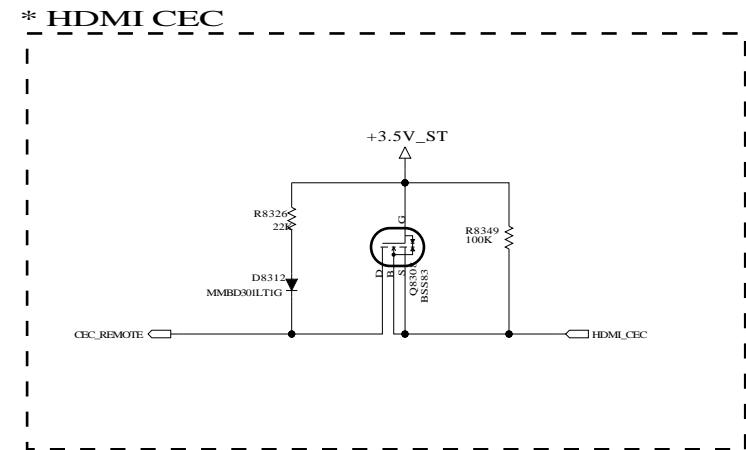
SIDE_HDMI_PORT4



EDID Pull-up



DEV DEV DEV



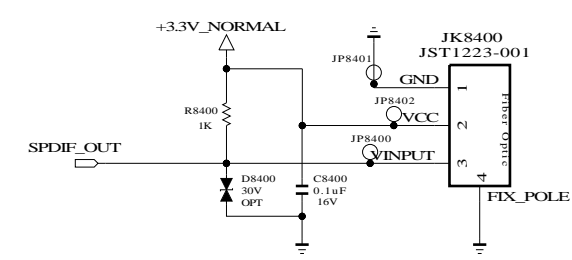
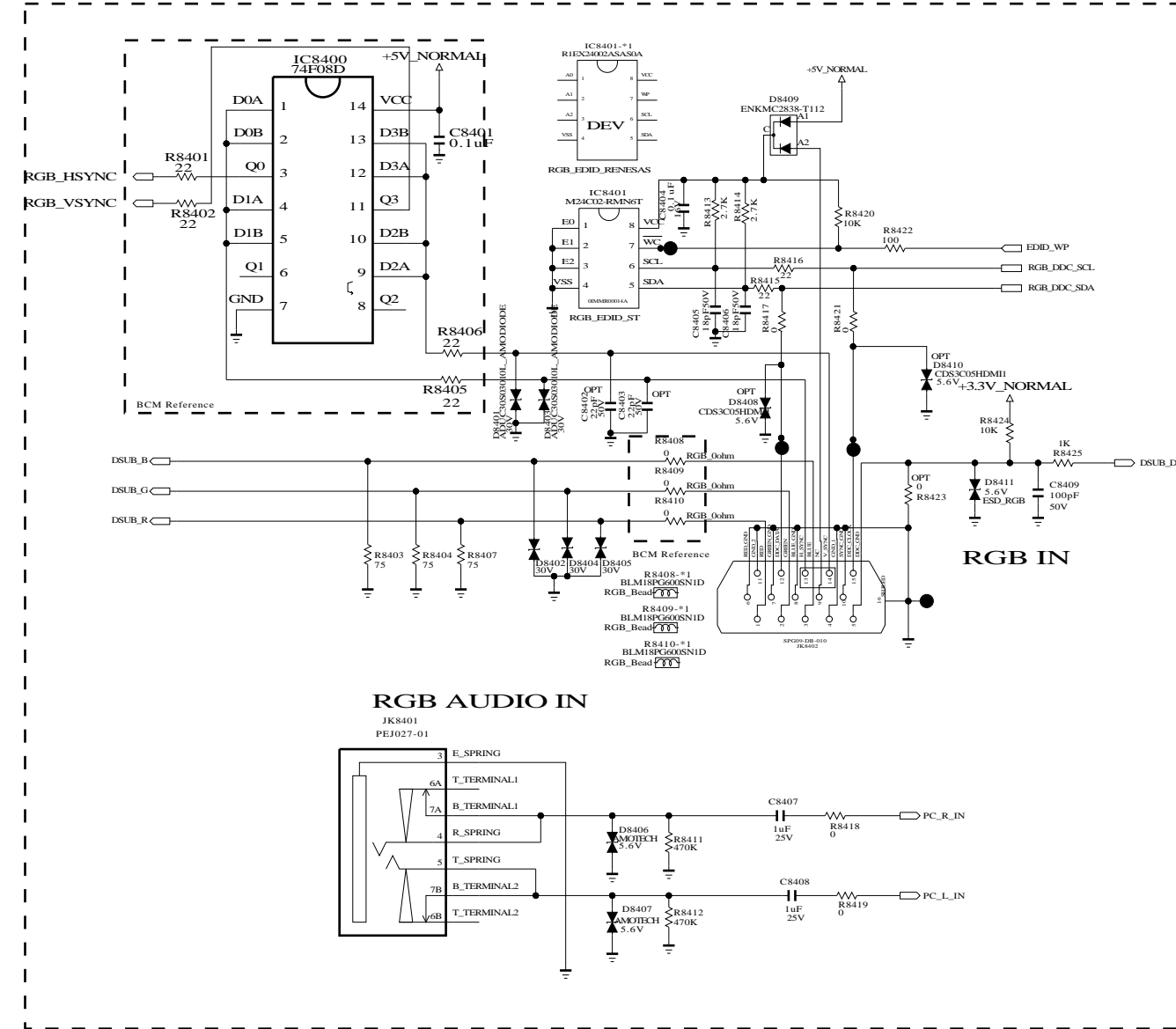
THE SYMBOL MARK OF THIS SCHEMATIC DIAGRAM INCORPORATES SPECIAL FEATURES IMPORTANT FOR PROTECTION FROM X-RADIATION. FILRE AND ELECTRICAL SHOCK HAZARDS, WHEN SERVICING IF IS ESSENTIAL THAT ONLY MANUFACTURES SPECIFIED PARTS BE USED FOR THE CRITICAL COMPONENTS IN THE SYMBOL MARK OF THE SCHEMATIC.

SECRET
LGElectronics



MODEL	COMMON	DATE	09/10/xx
BLOCK	HDMI	SHEET	83 / 100

RGB PC



THE SYMBOL MARK OF THIS SCHEMATIC DIAGRAM INCORPORATES SPECIAL FEATURES IMPORTANT FOR PROTECTION FROM X-RADIATION. FILRE AND ELECTRICAL SHOCK HAZARDS, WHEN SERVICING IF IS ESSENTIAL THAT ONLY MANUFACTURES SPECIFIED PARTS BE USED FOR THE CRITICAL COMPONENTS IN THE SYMBOL MARK OF THE SCHEMATIC.

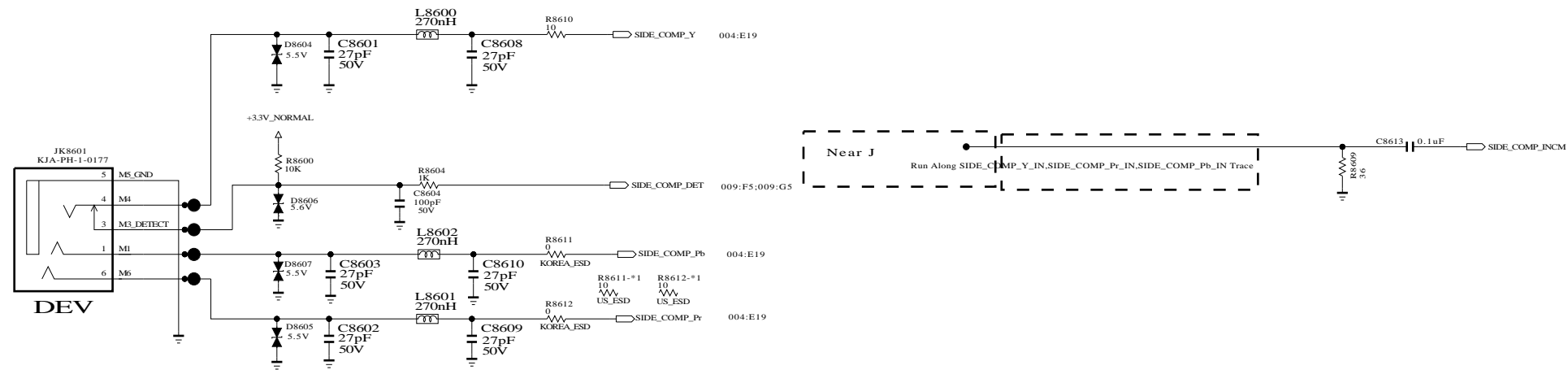
SECRET
LGElectronics



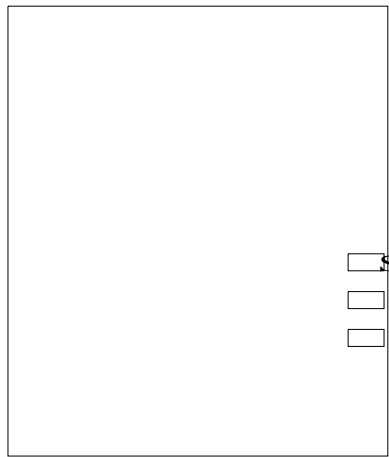
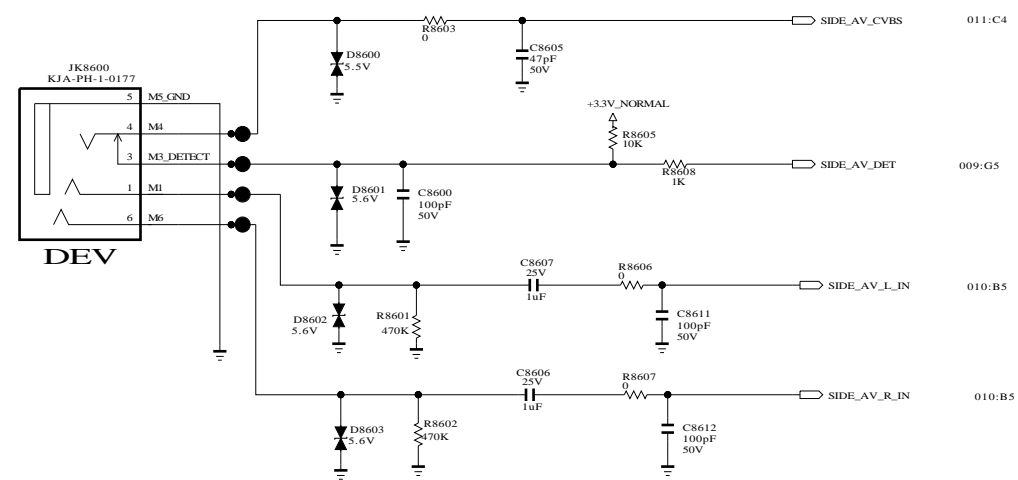
MODEL	COMMON	DATE	09/10/xx
BLOCK	RGB/SPDIF	SHEET	84 / 100

SIDE_GENDER

SIDE COMPONENT PHONE JACK



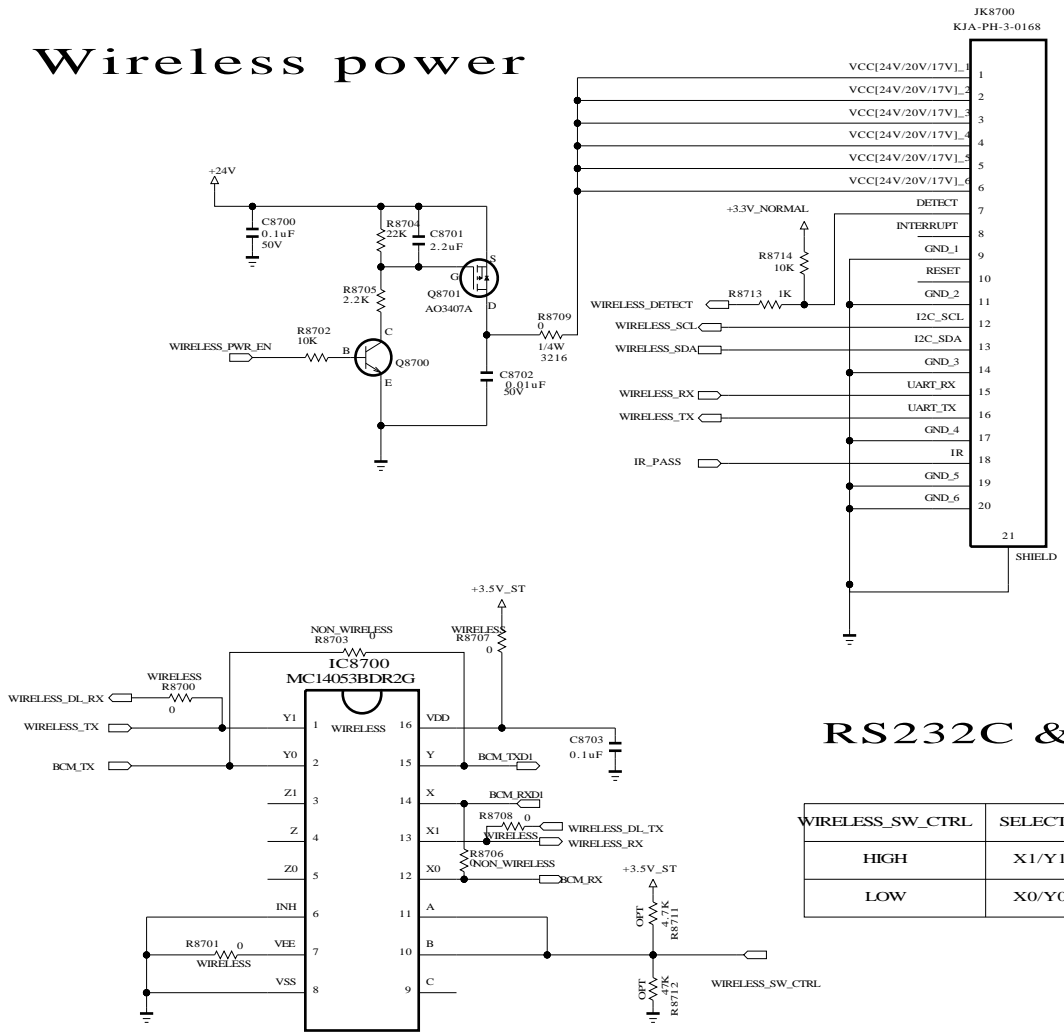
SIDE CVBS PHONE JACK



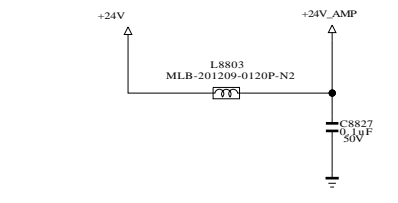
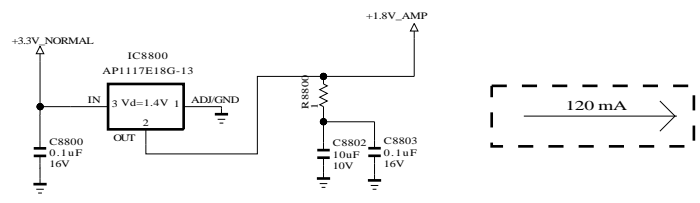
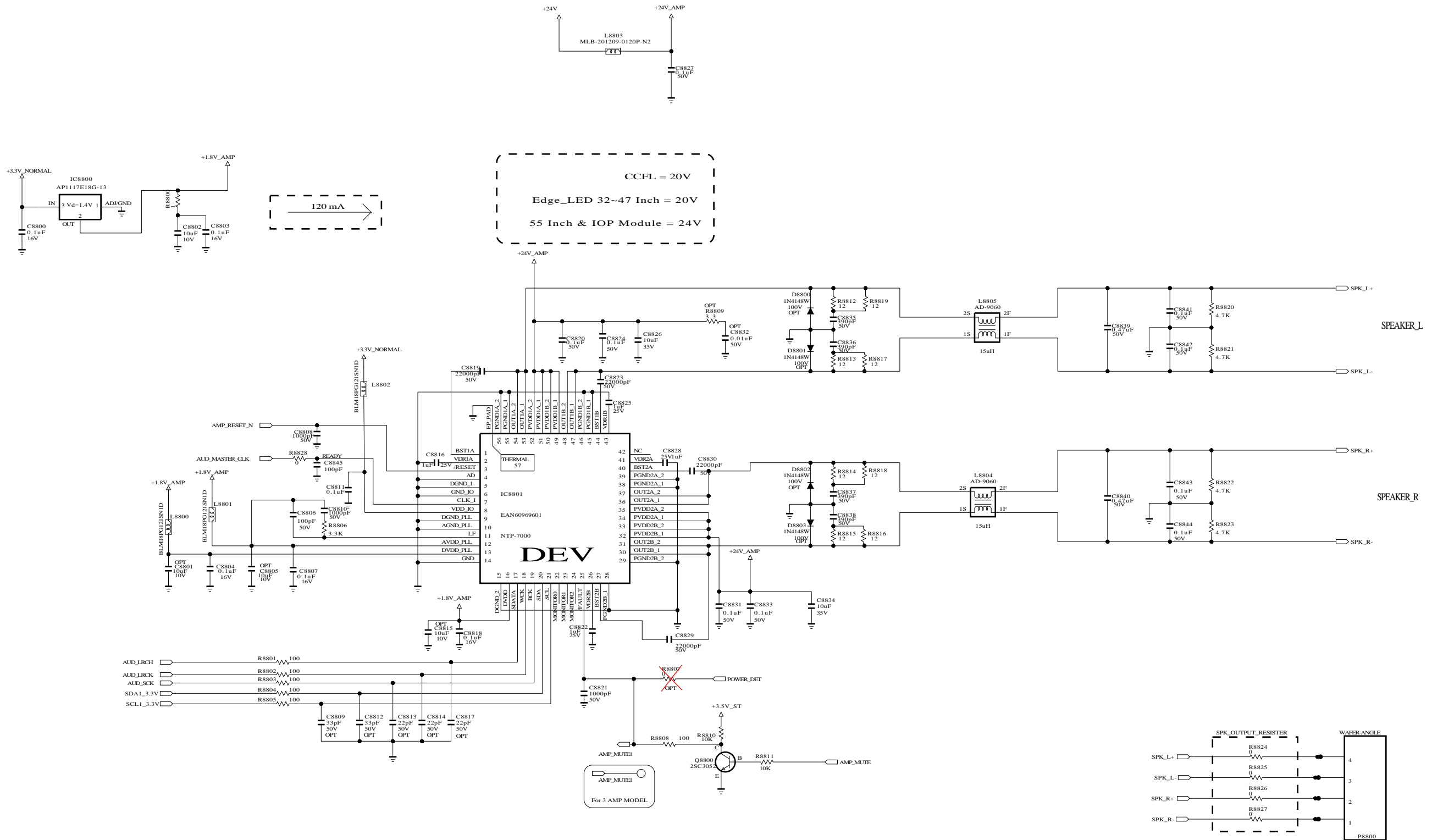
- SIDE_COMPONENT_PHONE_JACK
- SIDE_CVBS_PHONE_JACK
- SIDE_HEAD_PHONE_JACK

THE SYMBOL MARK OF THIS SCHEMATIC DIAGRAM INCORPORATES SPECIAL FEATURES IMPORTANT FOR PROTECTION FROM X-RADIATION. FILRE AND ELECTRICAL SHOCK HAZARDS, WHEN SERVICING IF IS ESSENTIAL THAT ONLY MANUFACTURES SPECIFIED PARTS BE USED FOR THE CRITICAL COMPONENTS IN THE SYMBOL MARK OF THE SCHEMATIC.

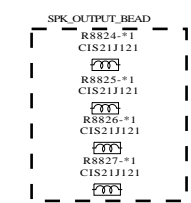
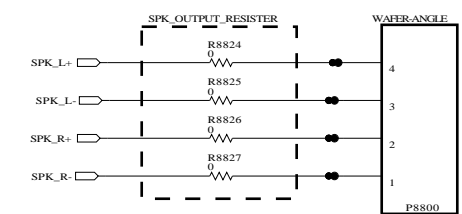
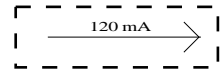
Wireless power



THE SYMBOL MARK OF THIS SCHEMATIC DIAGRAM INCORPORATES SPECIAL FEATURES IMPORTANT FOR PROTECTION FROM X-RADIATION. FILRE AND ELECTRICAL SHOCK HAZARDS, WHEN SERVICING IF IS ESSENTIAL THAT ONLY MANUFATURES SPECIFIED PARTS BE USED FOR THE CRITICAL COMPONENTS IN THE SYMBOL MARK OF THE SCHEMATIC.



CCFL = 20V
 Edge_LED 32~47 Inch = 20V
 55 Inch & IOP Module = 24V

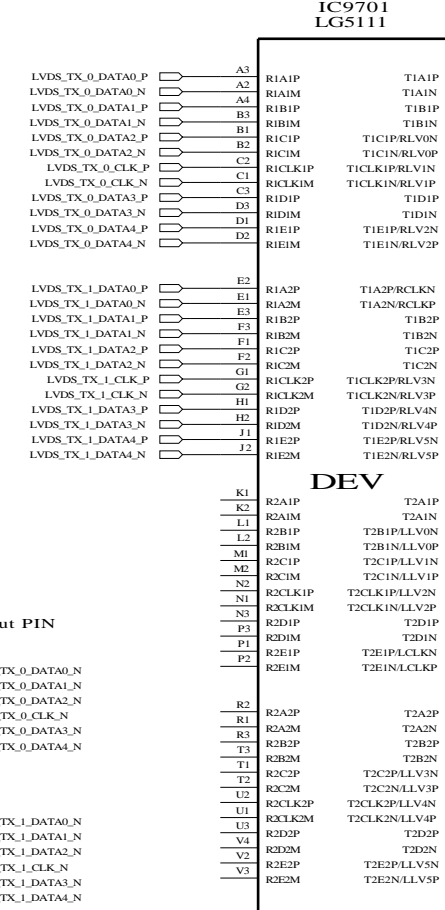


THE SYMBOL MARK OF THIS SCHEMATIC DIAGRAM INCORPORATES SPECIAL FEATURES IMPORTANT FOR PROTECTION FROM X-RADIATION. FILRE AND ELECTRICAL SHOCK HAZARDS, WHEN SERVICING IF IS ESSENTIAL THAT ONLY MANUFACTURES SPECIFIED PARTS BE USED FOR THE CRITICAL COMPONENTS IN THE SYMBOL MARK OF THE SCHEMATIC.

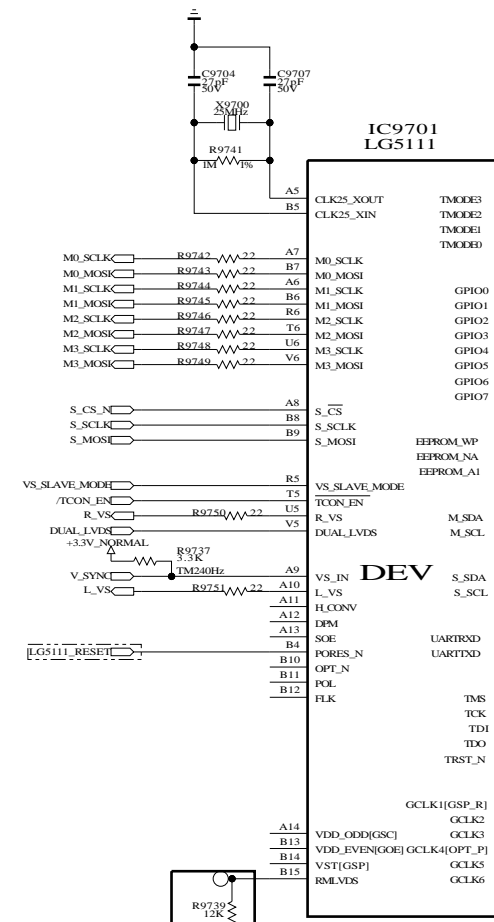
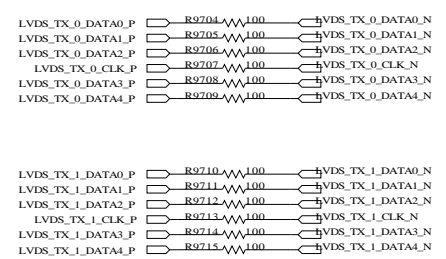
SECRET
 LGElectronics



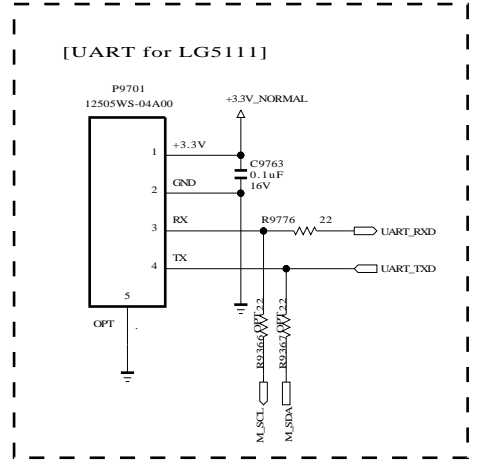
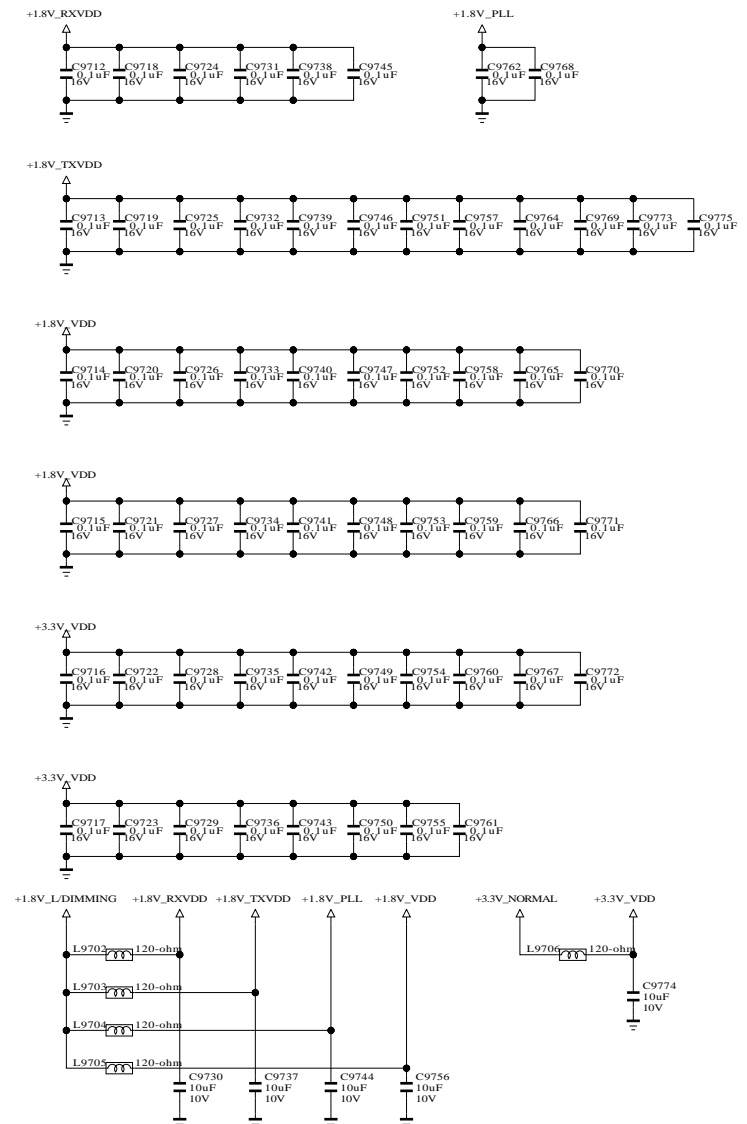
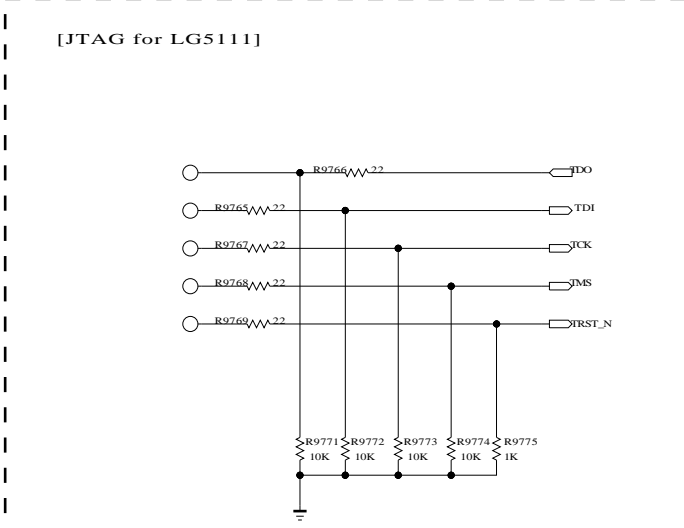
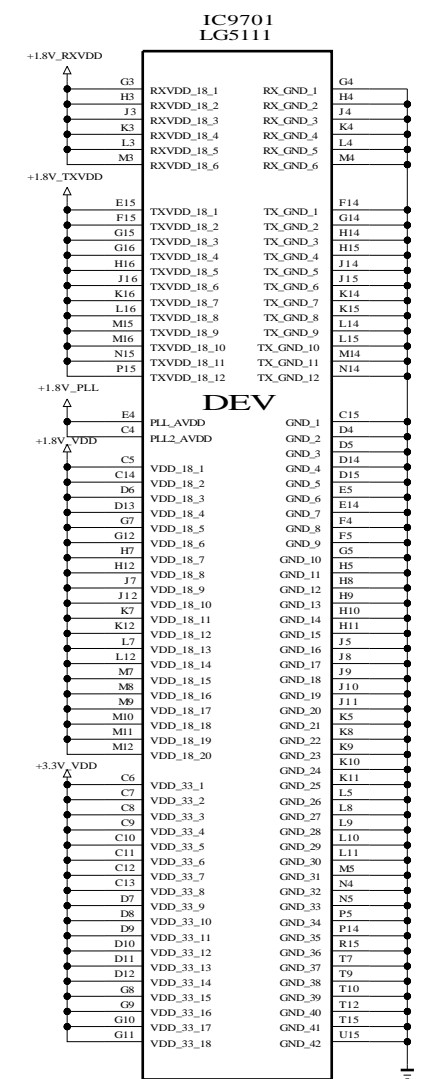
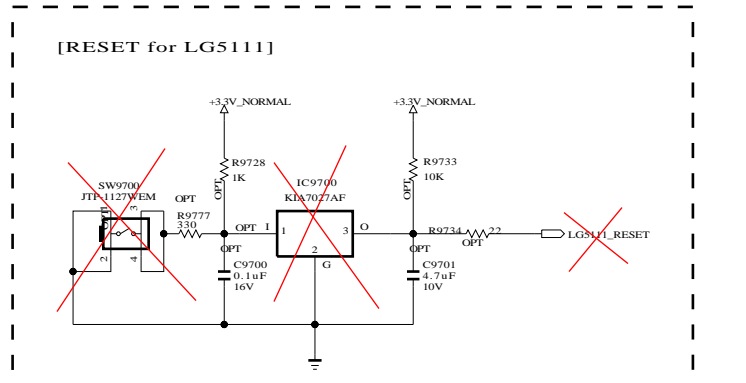
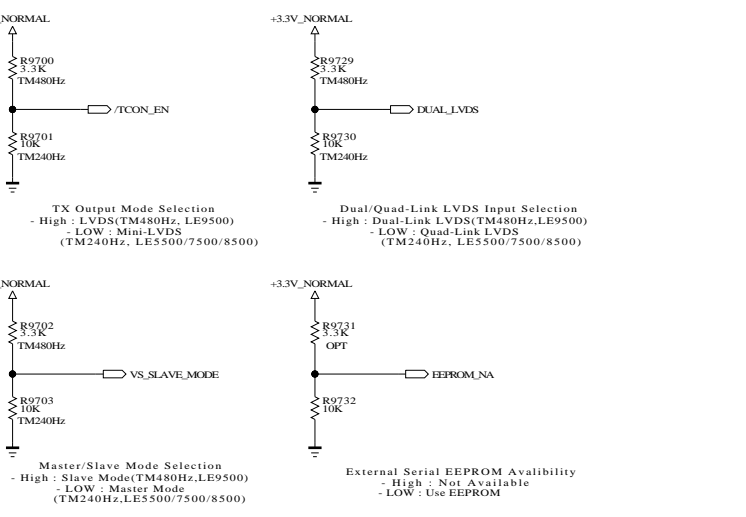
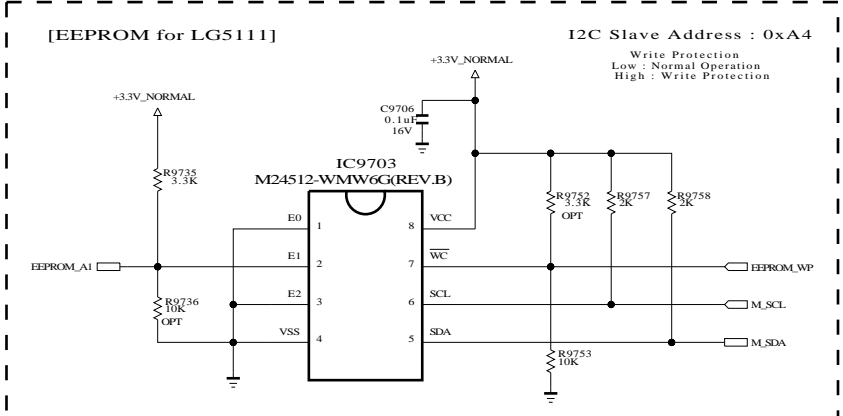
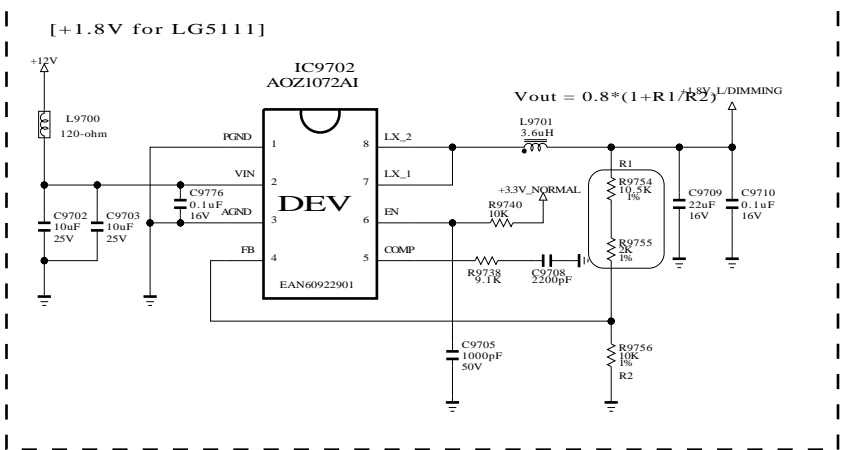
MODEL	COMMON	DATE	09/10/xx
BLOCK	NTP7000	SHEET	88 / 100



Close to LG5111 LVDS Input PIN



- [Mini-LVDS Signal Strength]
- Adjust Mini-LVDS Tx voltage swing level (swing level can be affected by FFC cable)
 - Add resistor and make option for each model



THE SYMBOL MARK OF THIS SCHEMATIC DIAGRAM INCORPORATES SPECIAL FEATURES IMPORTANT FOR PROTECTION FROM X-RADIATION. FILRE AND ELECTRICAL SHOCK HAZARDS, WHEN SERVICING IF IS ESSENTIAL THAT ONLY MANUFACTURES SPECIFIED PARTS BE USED FOR THE CRITICAL COMPONENTS IN THE SYMBOL MARK OF THE SCHEMATIC.

SECRET
LGElectronics



MODEL	COMMON_LD_400/480HZ	DATE	09/10/13
BLOCK	LG5111 (L.D.) from BCN	SHEET	97