



LG

North/Latin America
Europe/Africa
Asia/Oceania

<http://aic.lgservice.com>
<http://eic.lgservice.com>
<http://biz.lgservice.com>

LED LCD TV

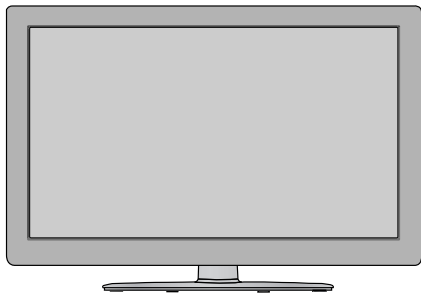
Schematics and Exploded View

CHASSIS : LA02R

MODEL : 55LX6500 55LX6500-UB

CAUTION

BEFORE SERVICING THE CHASSIS,
READ THE SAFETY PRECAUTIONS IN THIS MANUAL.



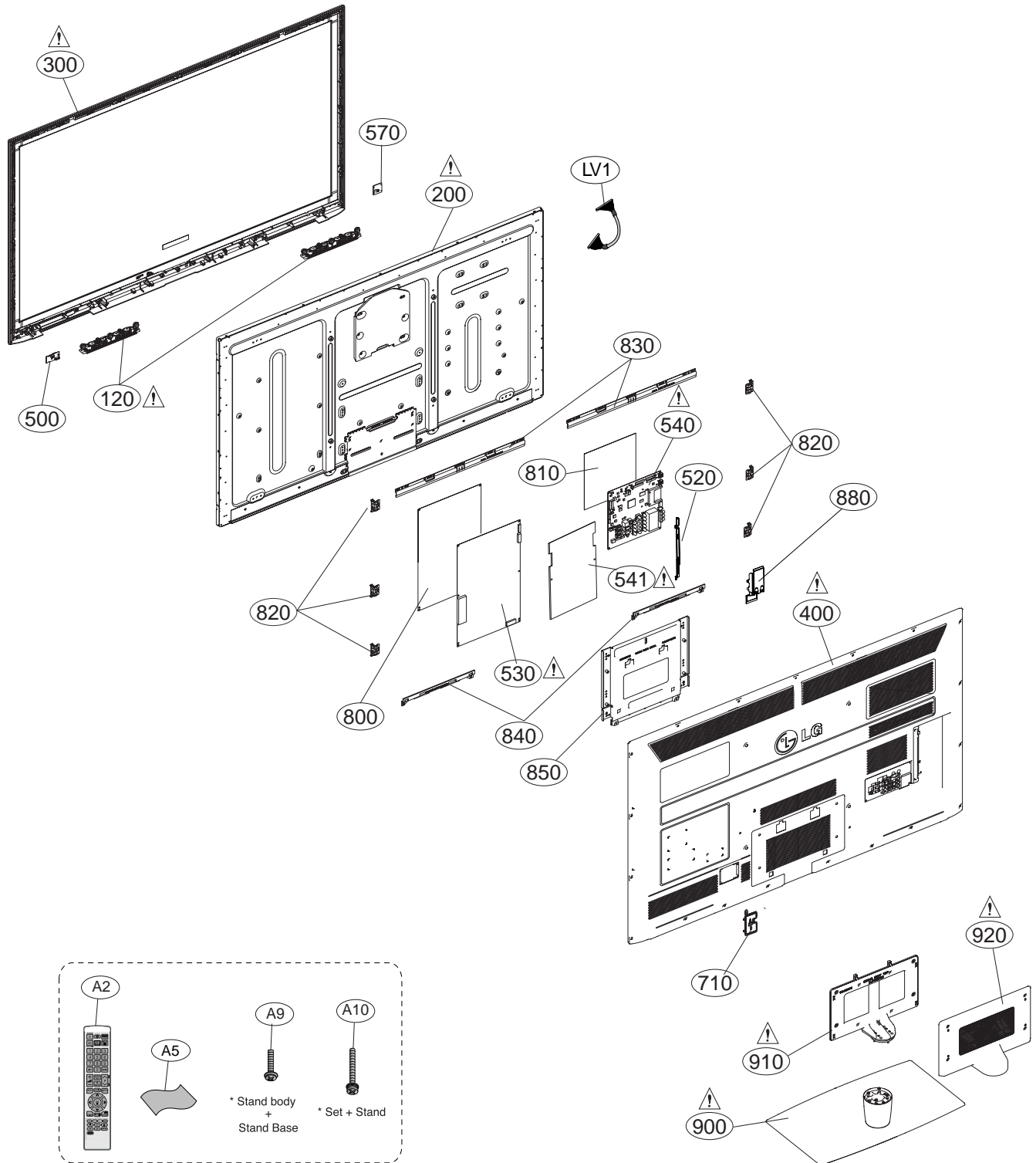
P/NO : MFL63727203 (1005-REV00)

Printed in Korea

EXPLODED VIEW

IMPORTANT SAFETY NOTICE

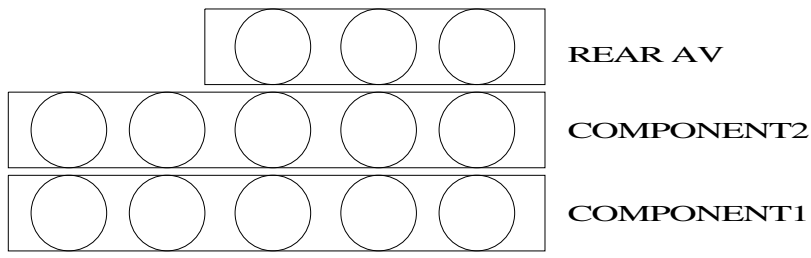
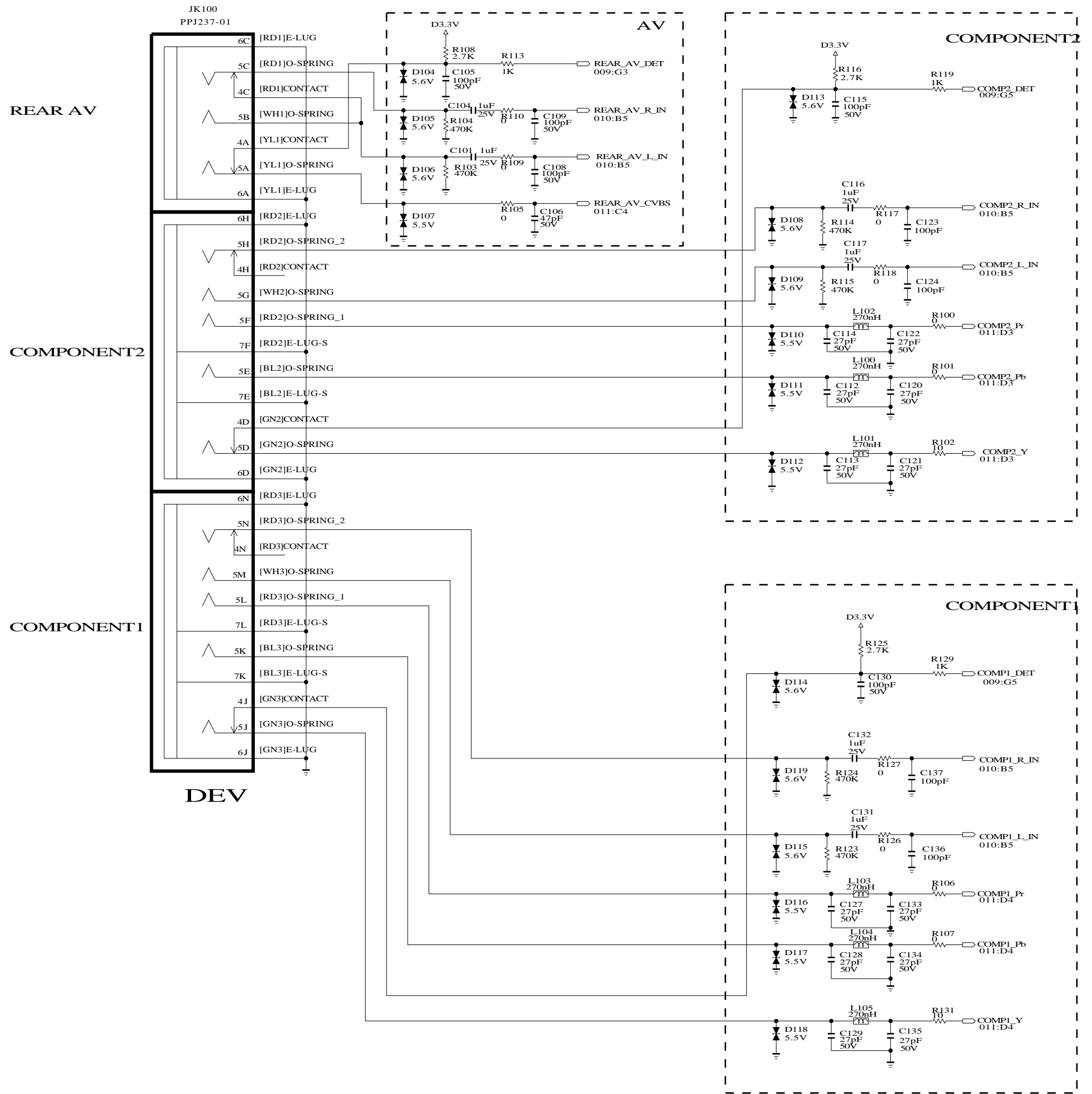
Many electrical and mechanical parts in this chassis have special safety-related characteristics. These parts are identified by ⚠ in the Schematic Diagram and EXPLODED VIEW. It is essential that these special safety parts should be replaced with the same components as recommended in this manual to prevent X-RADIATION, Shock, Fire, or other Hazards. Do not modify the original design without permission of manufacturer.



55LX6500 EXPLODED VIEW PARTS LIST

ITEM	PART No	DESCRIPTION
120	EAB60961501	Speakers (Front) 10W 8OHM 78DB 150HZ 188x20x18
200	EAJ61111801	TFT Panel 240Hz 1920X1080 16/9 1300:1(Includes Inverter boards)
300	ABJ72988733	Cabinet Assembly Ft Frame
400	ACQ75453534	Back Cover
500	EBR64966201	IR and Intelligent Sensor Board
520	MGJ62006021	Metal Plate Side AV Metal Bracket
530	EAY60908802	SMPS Power Supply
540	EBR69488901	Main Board 55LX6500-UB_AUSWLJR
540	EBU60987802	Main Board 55LX6500-UB_AUSWLUR
541	EBR69489401	PCB Assembly,Sub SUB PAKING LA02Q
570	EBR69838801	3D Sync Transmitter Board Updated Part: EBR72073501
710	MAZ61972002	Bracket Cover Power Cord
800	AGU72968902	Insulation Sheet Power Supply
810	MCR62199804	Insulation Sheet Main Board
820	MJH61913504	Supporter Ft Frame
830	MJH61881002	Support Module Fixer Top
840	MJH61890701	Support Module Fixer Bottom
850	MJH61878202	Supporter EGI 55LE55/75_Metal Stand Guide
880	MAZ61991509	Bucket Cover for Tuner
900	AAN72949020	Stand Base Color(Grace Brown)
910	AAN73012002	Stand Top Bracket
920	MAZ61973703	Cover for Stand Top Bracket
A2	AKB72914018	Remote Control
A5	MAF60779001	Cloth Cleaner
A9	FAB30016431	Screw Machine L24.0 Washer1 (D:8 , T:0.8), Washer2 (D:7.0 , T:1.0)
A10	FAB30016105	Screw Set L16.0 Washer D8.5 t0.6
LV1	EAD61078209	LVDS Cable (Left Side from Main)

COMPONENT/AV REAR JACK



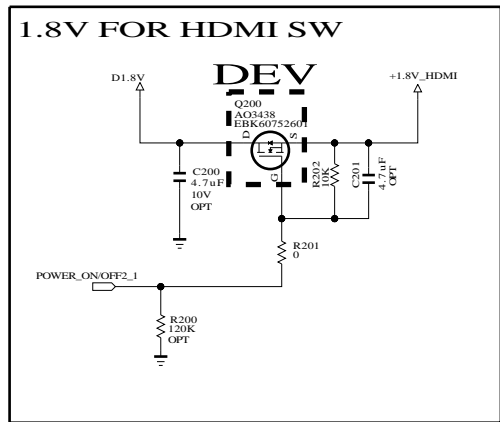
THE SYMBOL MARK OF THIS SCHEMATIC DIAGRAM INCORPORATES SPECIAL FEATURES IMPORTANT FOR PROTECTION FROM X-RADIATION. FILRE AND ELECTRICAL SHOCK HAZARDS, WHEN SERVICING IF IS ESSENTIAL THAT ONLY MANUFACTURES SPECIFIED PARTS BE USED FOR THE CRITICAL COMPONENTS IN THE SYMBOL MARK OF THE SCHEMATIC.

SECRET
LGElectronics

LG ELECTRONICS

MODEL	GP2_BCM_ATSC	DATE	09/10/x x
BLOCK	COMPONENT / AV REAR	SHEET	1 / 100

HDMI SWITCH 1.8V POWER



Seperated from Common sheet83
 N.America & Korea only use 1.8V control

THE SYMBOL MARK OF THIS SCHEMATIC DIAGRAM INCORPORATES SPECIAL FEATURES IMPORTANT FOR PROTECTION FROM X-RADIATION. FILRE AND ELECTRICAL SHOCK HAZARDS, WHEN SERVICING IF IS ESSENTIAL THAT ONLY MANUFACTURES SPECIFIED PARTS BE USED FOR THE CRITICAL COMPONENTS IN THE SYMBOL MARK OF THE SCHEMATIC.

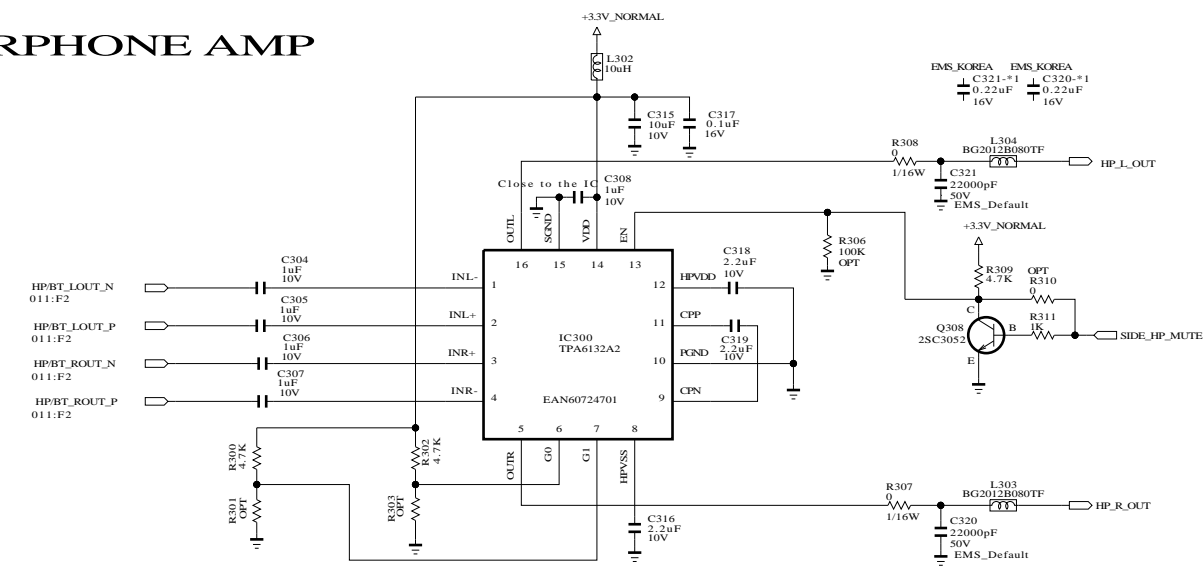
SECRET
 LGElectronics



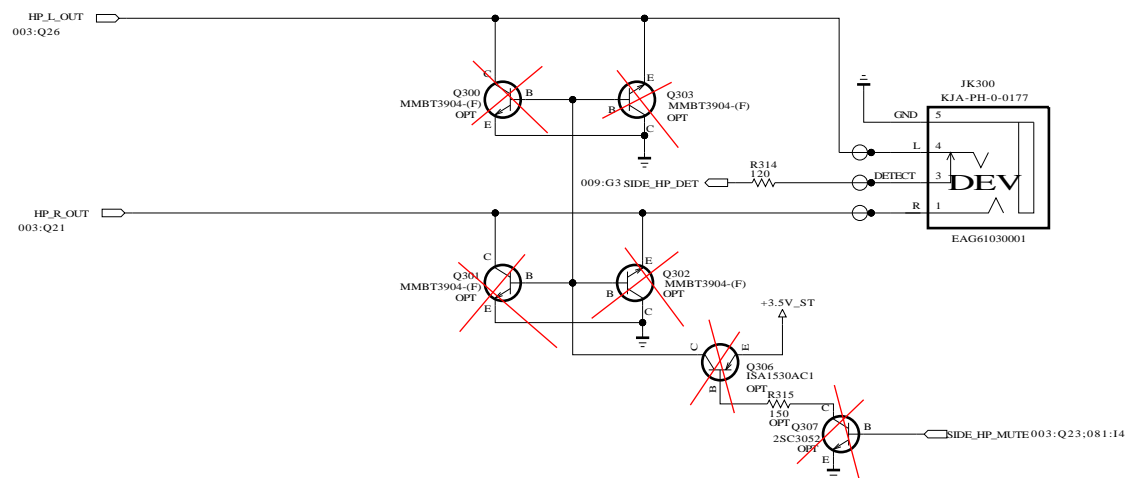
MODEL	GP2_BCM_ATSC	DATE	09/10/xx
BLOCK	HDMI_POWER	SHEET	2 / 100

EARPHONE BLOCK

EARPHONE AMP

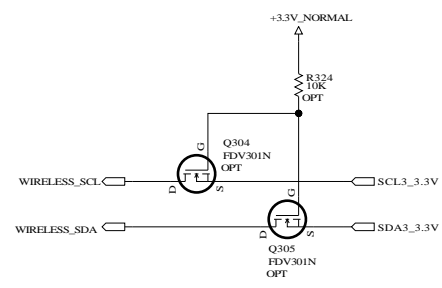


EARPHONE JACK SIDE



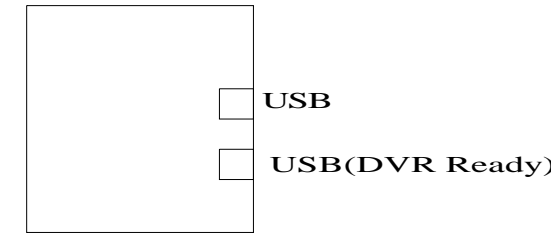
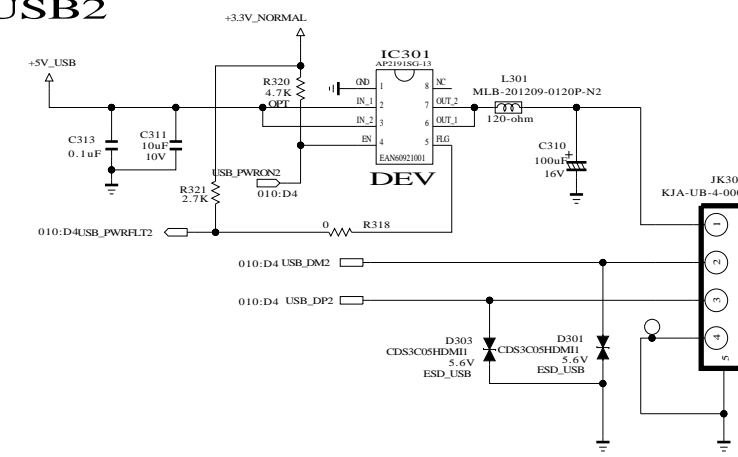
WIRELESS I2C LEVEL SHIFTER

LEVEL SHIFTER



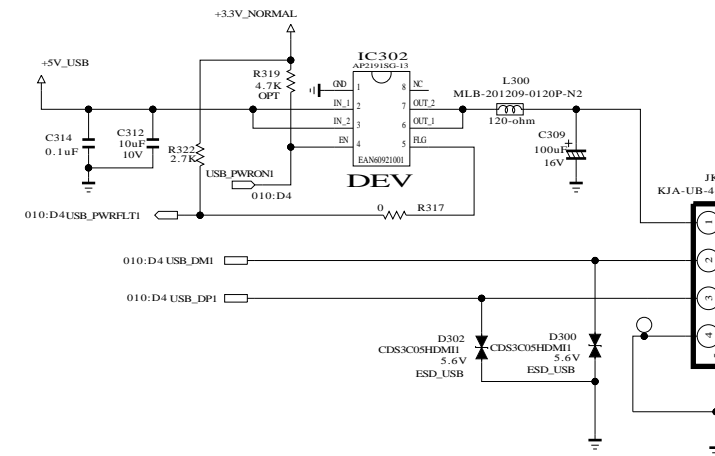
USB BLOCK

USB2



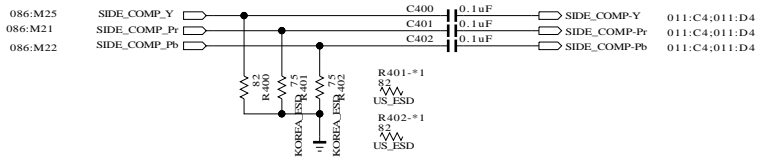
CHANGE USB_PWRFLT PULL-UP FROM 5V TO 3.3V

USB1 (DVR Ready)



THE SYMBOL MARK OF THIS SCHEMATIC DIAGRAM INCORPORATES SPECIAL FEATURES IMPORTANT FOR PROTECTION FROM X-RADIATION, FILRE AND ELECTRICAL SHOCK HAZARDS, WHEN SERVICING IF IS ESSENTIAL THAT ONLY MANUFACTURES SPECIFIED PARTS BE USED FOR THE CRITICAL COMPONENTS IN THE SYMBOL MARK OF THE SCHEMATIC.

SIDE COMPONENT LINE



CLOSE TO MAIN IC

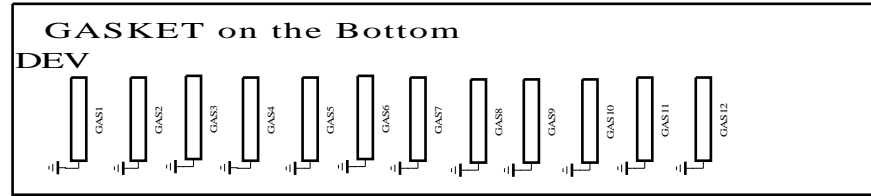
THE SYMBOL MARK OF THIS SCHEMATIC DIAGRAM INCORPORATES SPECIAL FEATURES IMPORTANT FOR PROTECTION FROM X-RADIATION. FILRE AND ELECTRICAL SHOCK HAZARDS. WHEN SERVICING IF IS ESSENTIAL THAT ONLY MANUFACTURES SPECIFIED PARTS BE USED FOR THE CRITICAL COMPONENTS IN THE SYMBOL MARK OF THE SCHEMATIC.

SECRET
 LGElectronics

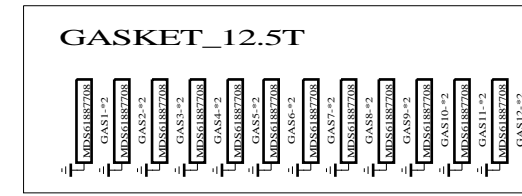


MODEL	SIDE_GENDER_LINE	DATE	09/10/xx
BLOCK	SIDE_GENDER_LINE	SHEET	4 / 100

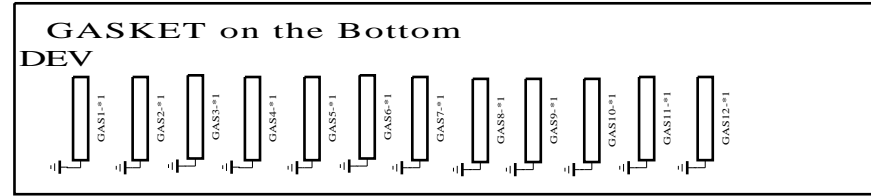
SMD GASKET FOR EMI (8*6*5.5 FOR LE5400/5500/7500)



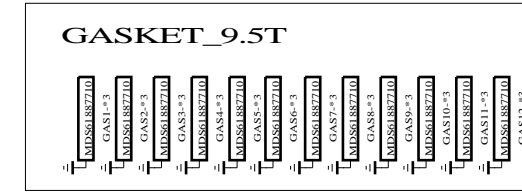
SMD GASKET FOR EMI (8*6*12.5T)



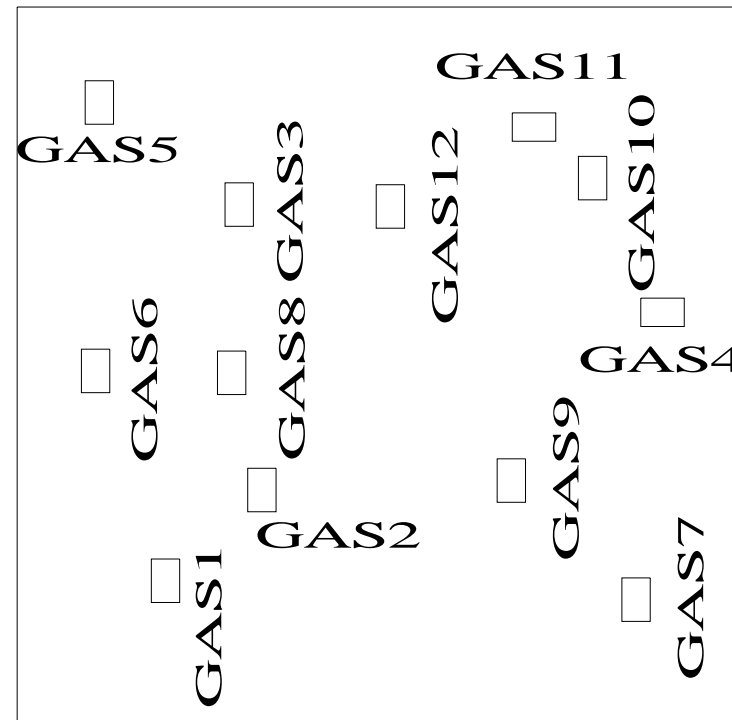
SMD GASKET FOR EMI (8*6*7.5 FOR LE8500)



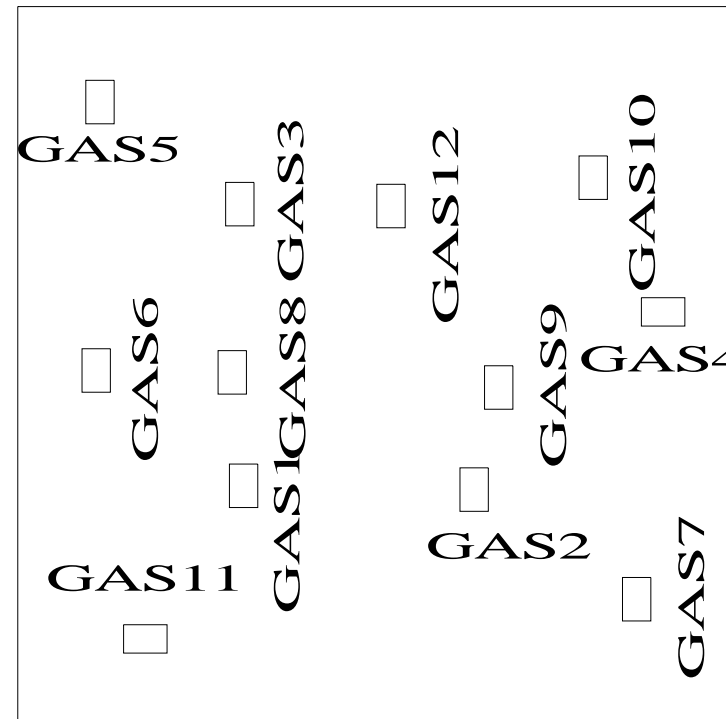
SMD GASKET FOR EMI (8*6* 9.5T)



Draw bottom location when make a new pcb

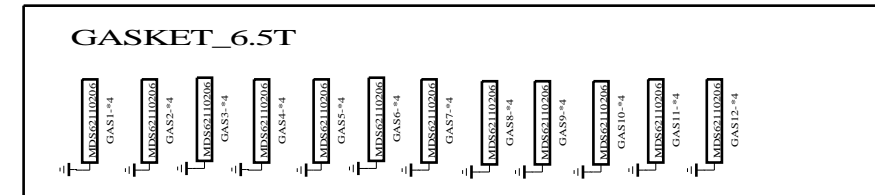


EAX61538101



EAX61746401

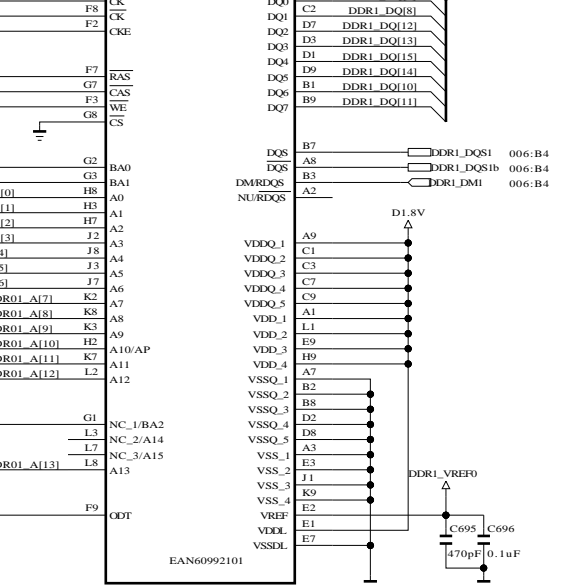
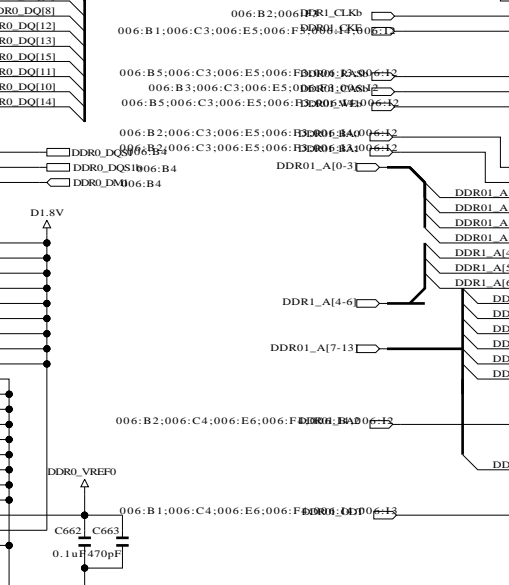
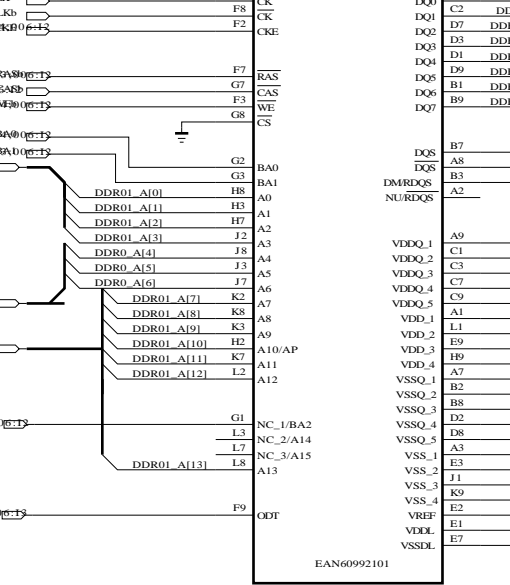
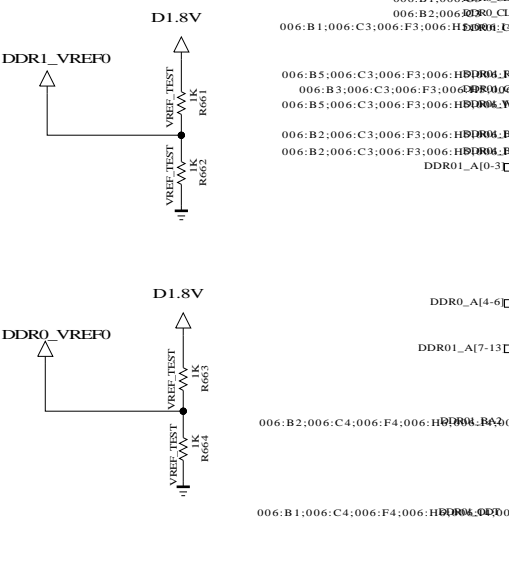
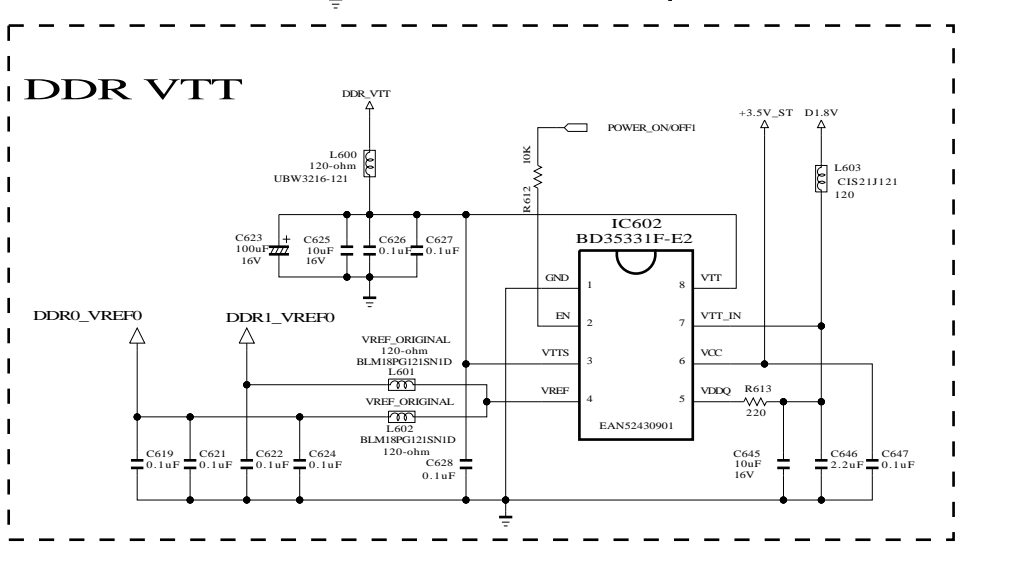
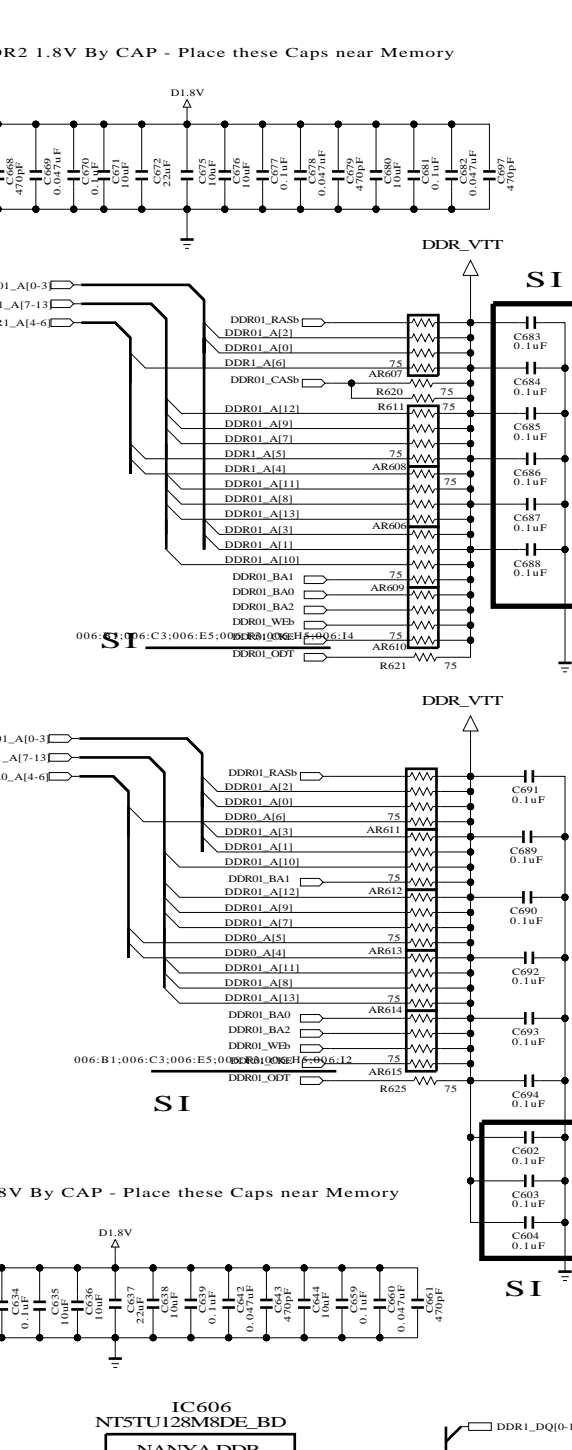
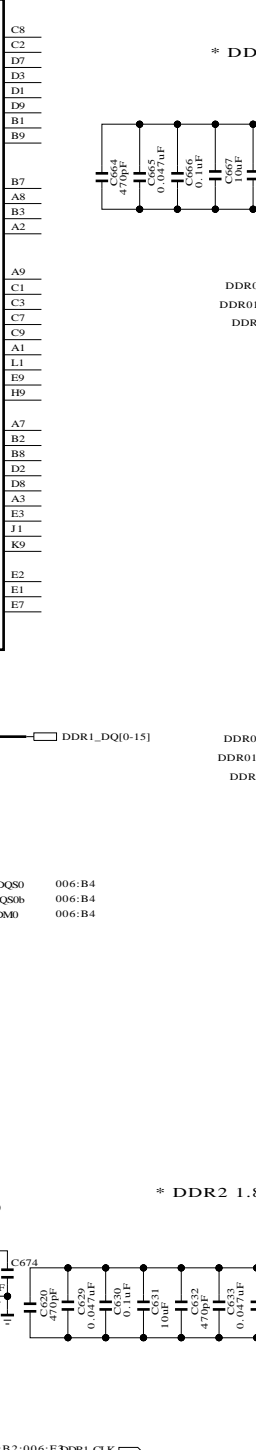
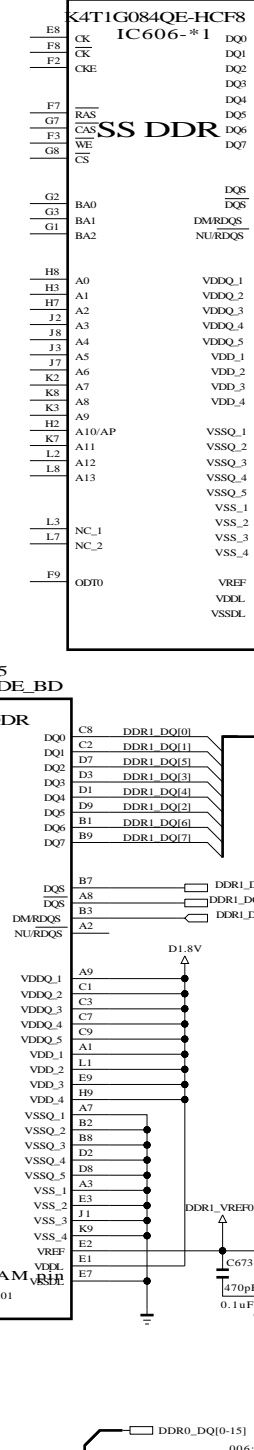
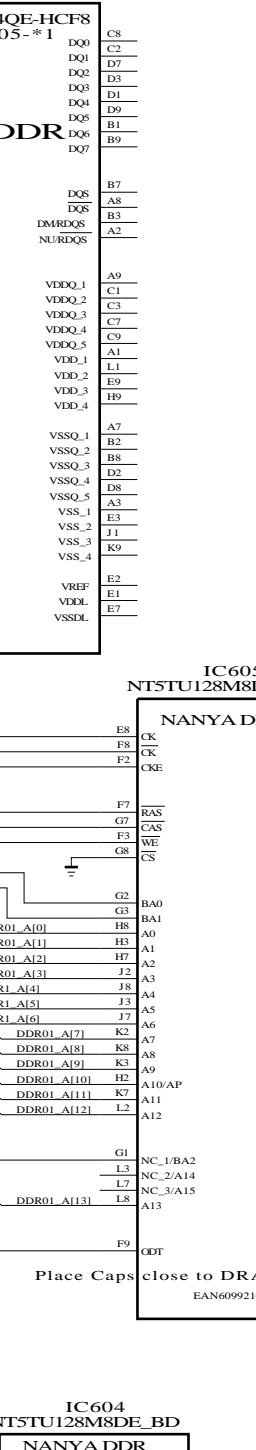
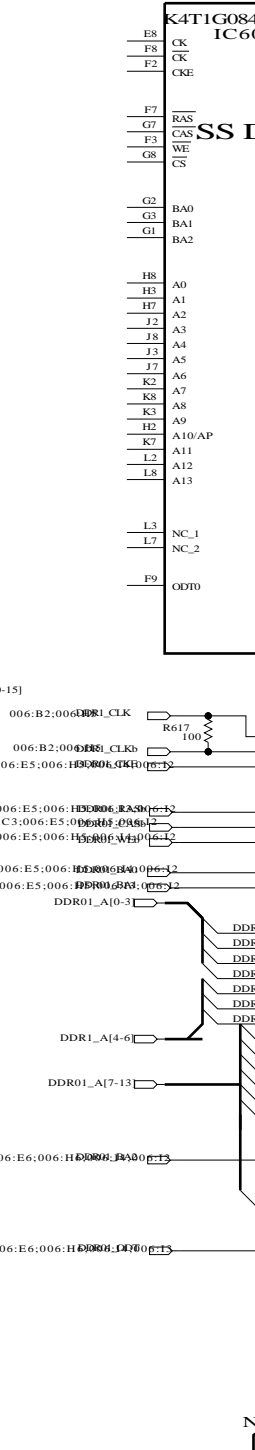
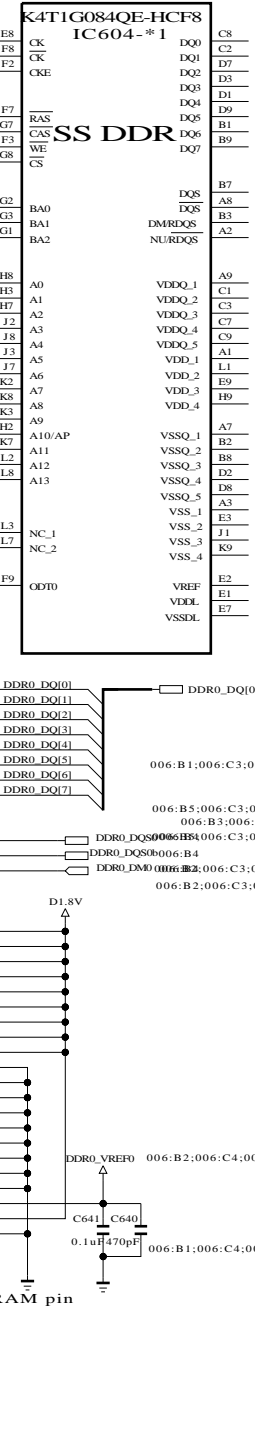
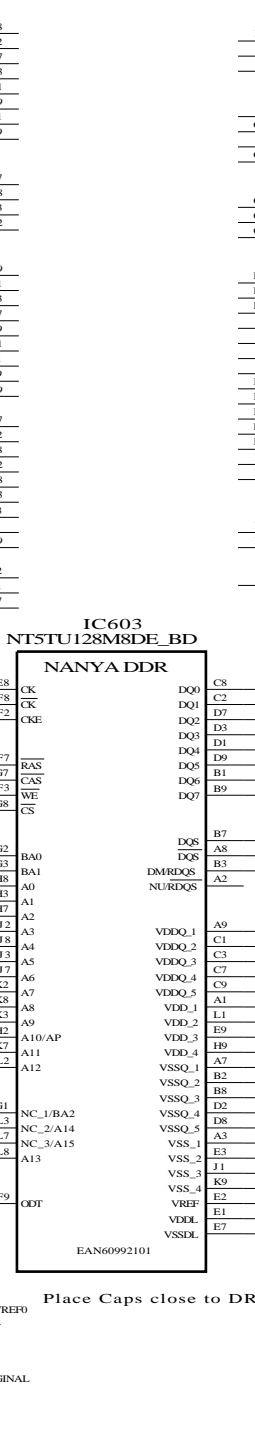
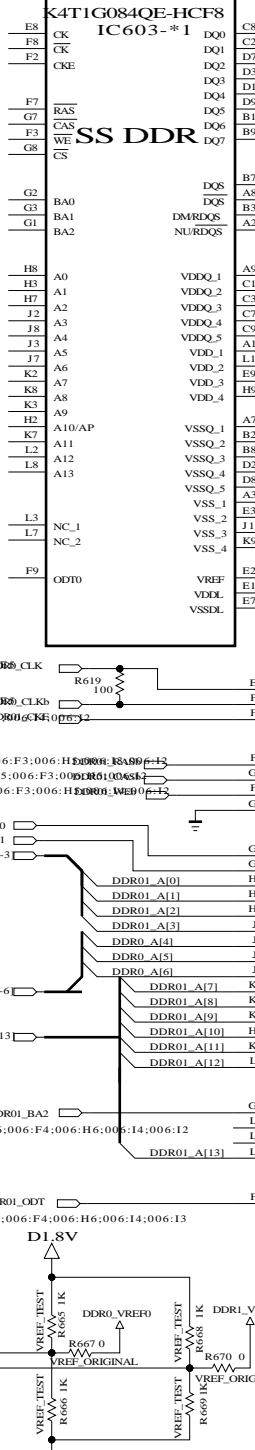
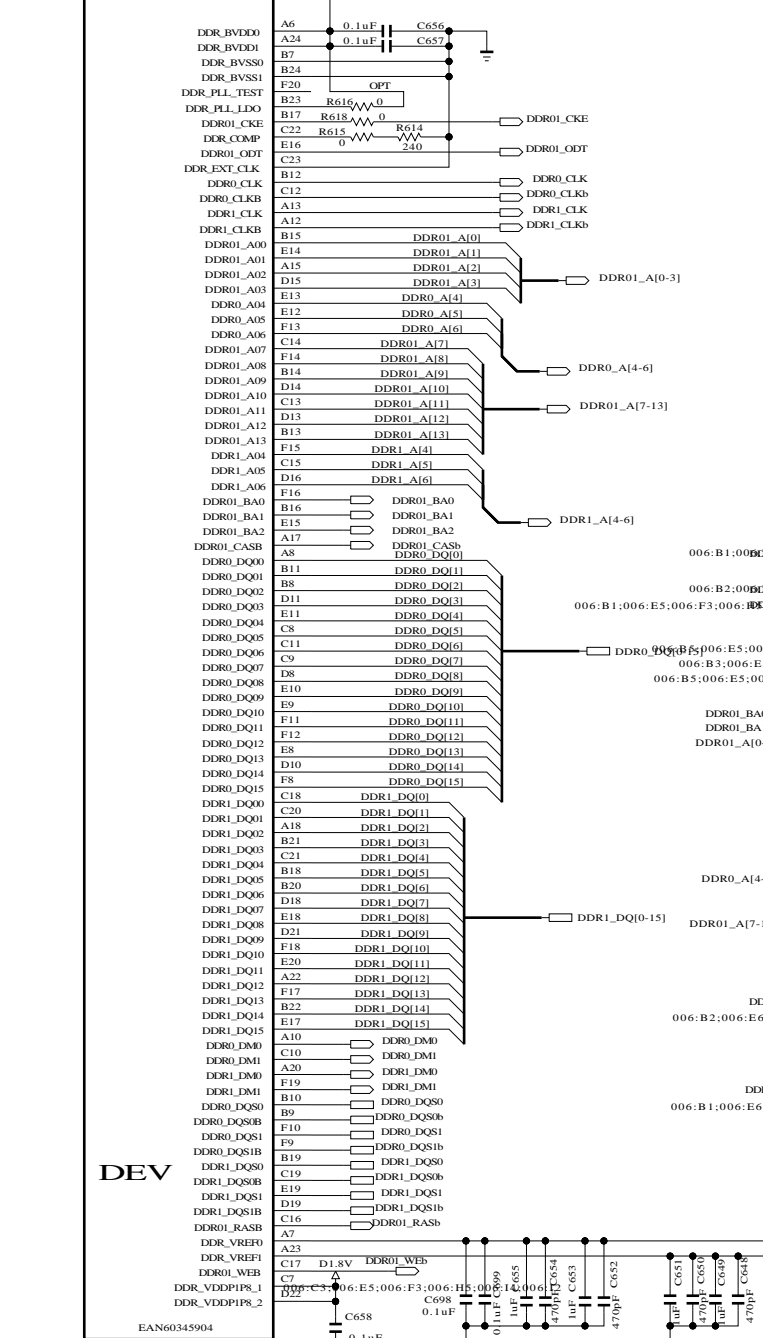
SMD GASKET FOR EMI (8*6*6.5 FOR 32LE7500)



THE SYMBOL MARK OF THIS SCHEMATIC DIAGRAM INCORPORATES SPECIAL FEATURES IMPORTANT FOR PROTECTION FROM X-RADIATION, FILRE AND ELECTRICAL SHOCK HAZARDS, WHEN SERVICING IF IS ESSENTIAL THAT ONLY MANUFACTURES SPECIFIED PARTS BE USED FOR THE CRITICAL COMPONENTS IN THE SYMBOL MARK OF THE SCHEMATIC.

BCM-DDR

IC900
LGE3549XQ (B2 VERSION)



THE SYMBOL MARK OF THIS SCHEMATIC DIAGRAM INCORPORATES SPECIAL FEATURES IMPORTANT FOR PROTECTION FROM X-RADIATION. FILRE AND ELECTRICAL SHOCK HAZARDS, WHEN SERVICING IF IS ESSENTIAL THAT ONLY MANUFACTURES SPECIFIED PARTS BE USED FOR THE CRITICAL COMPONENTS IN THE SYMBOL MARK OF THE SCHEMATIC.

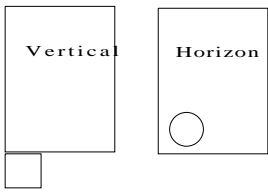
SECRET
LGElectronics



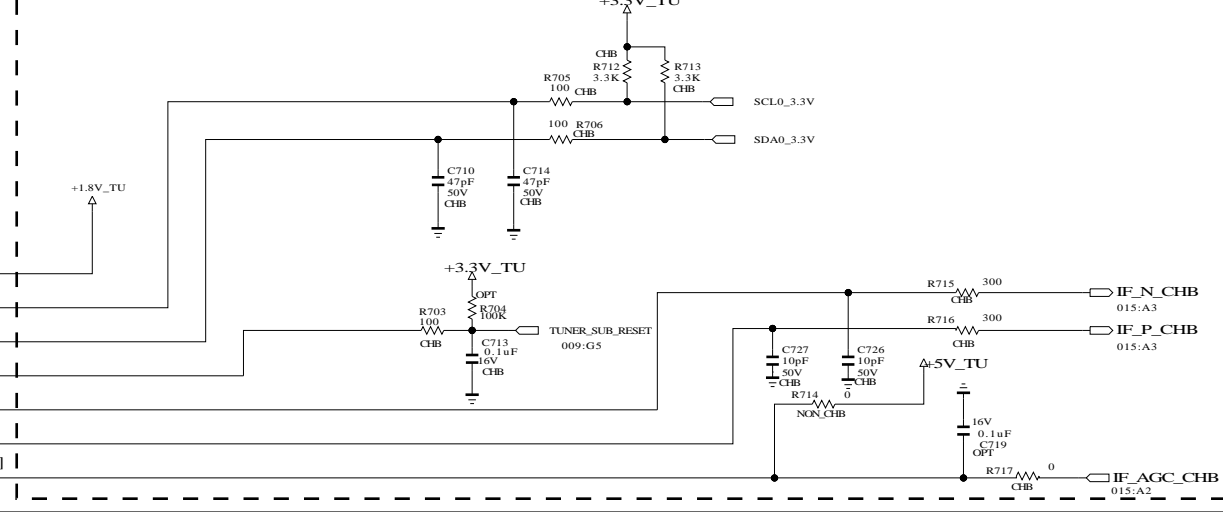
MODEL	GP2 BCM AT6C	DATE	09/10/xx
BLOCK	BCM-DDR	SHEET	6/100

ATSC TUNER

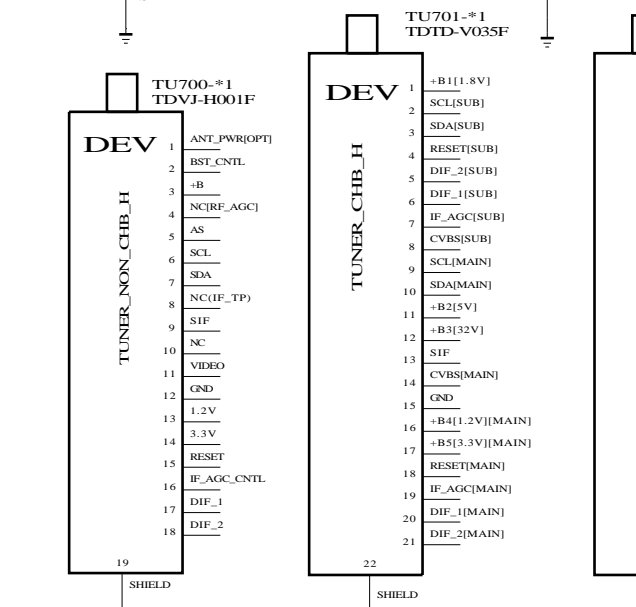
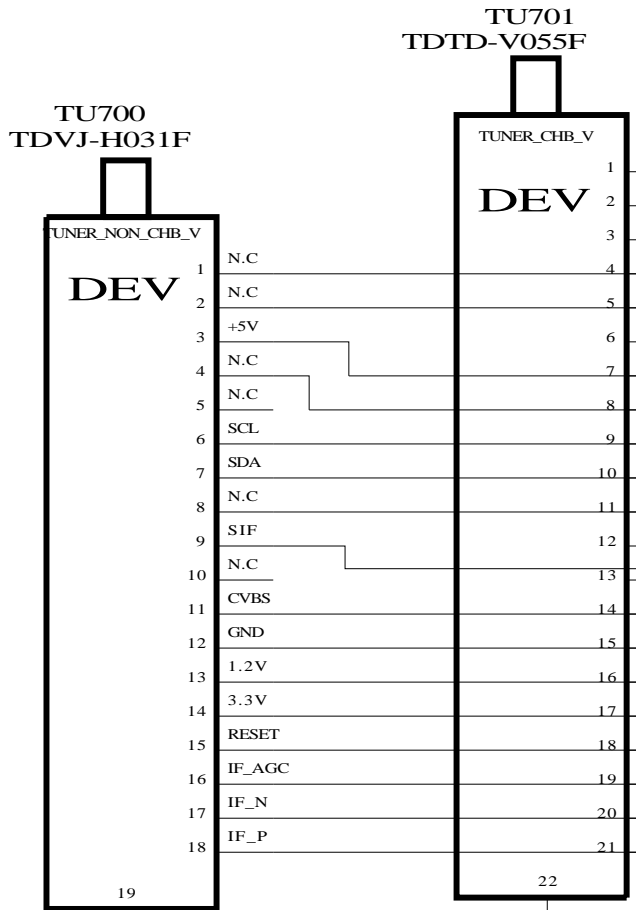
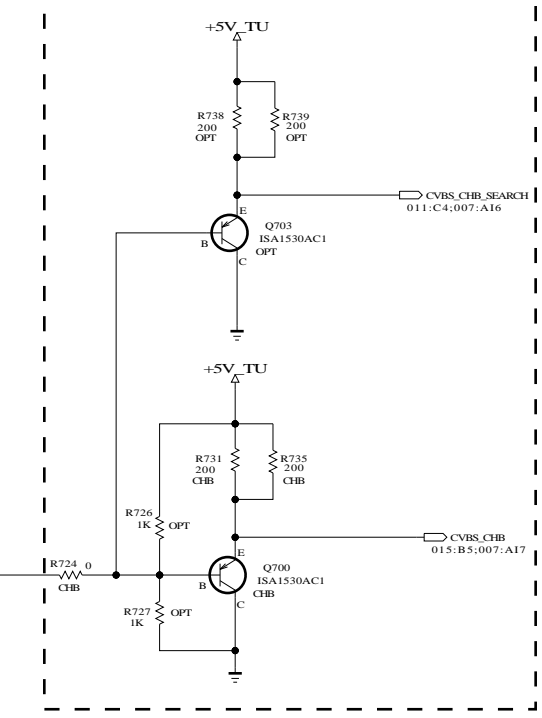
TUNER TYPE



CHB OPTION



CHB OPTION

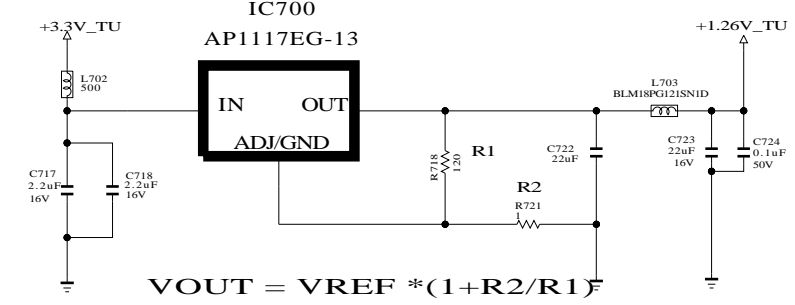
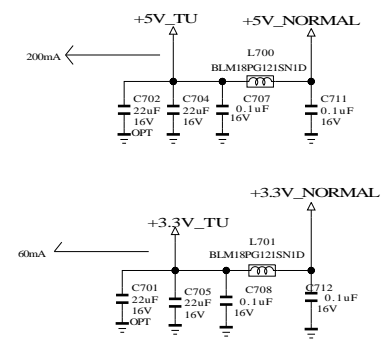


THE SYMBOL MARK OF THIS SCHEMATIC DIAGRAM INCORPORATES SPECIAL FEATURES IMPORTANT FOR PROTECTION FROM X-RADIATION, FILRE AND ELECTRICAL SHOCK HAZARDS, WHEN SERVICING IF IS ESSENTIAL THAT ONLY MANUFACTURES SPECIFIED PARTS BE USED FOR THE CRITICAL COMPONENTS IN THE SYMBOL MARK OF THE SCHEMATIC.

SECRET
LGElectronics

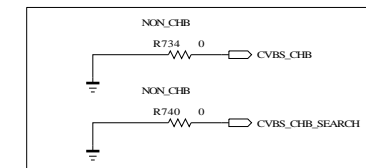


MODEL	GP2_BCM_ATSC	DATE	09/10/xx
BLOCK	ATSC_TUNER	SHEET	7 / 100

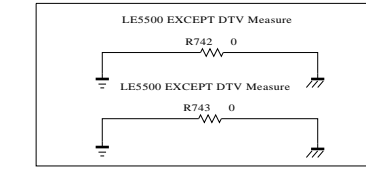


$$V_{OUT} = V_{REF} * (1 + R2/R1)$$

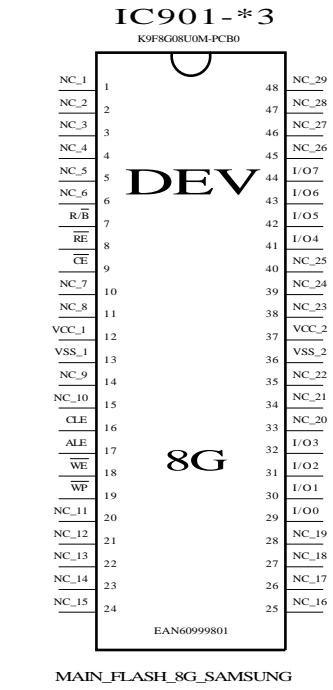
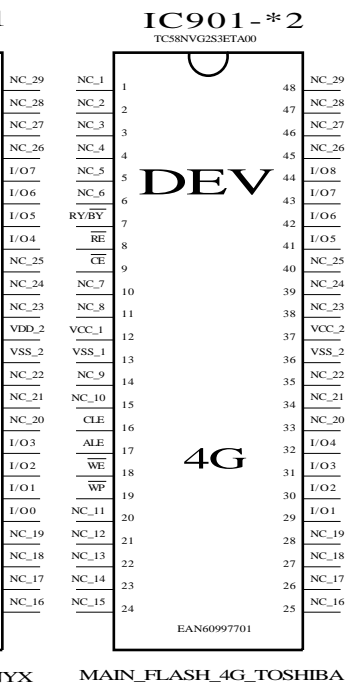
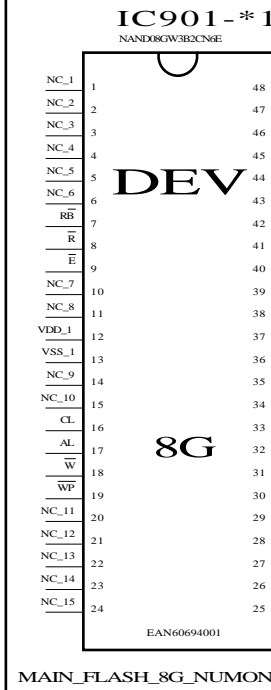
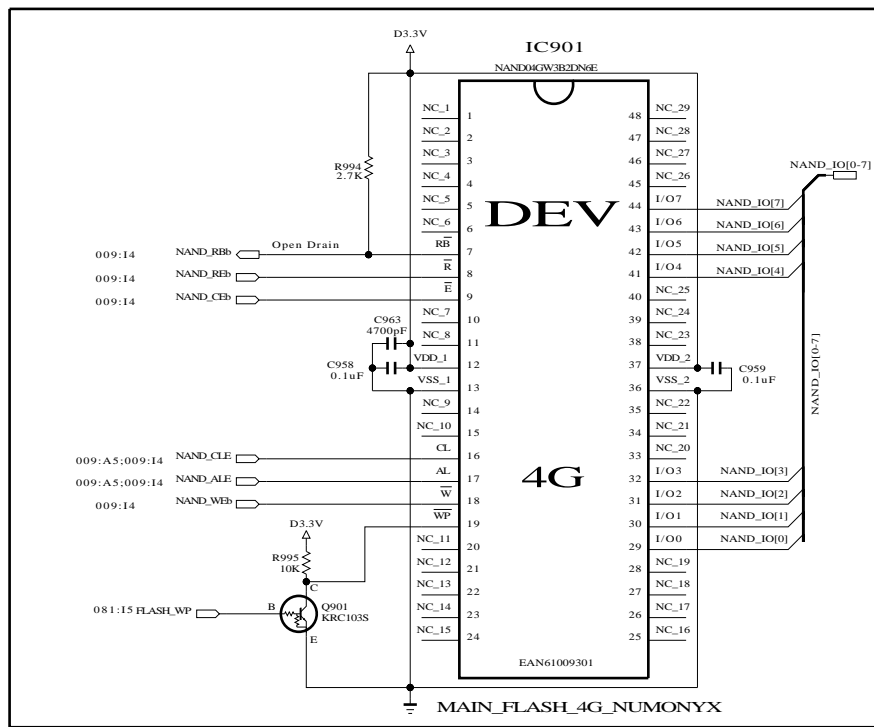
NON CHB OPTION



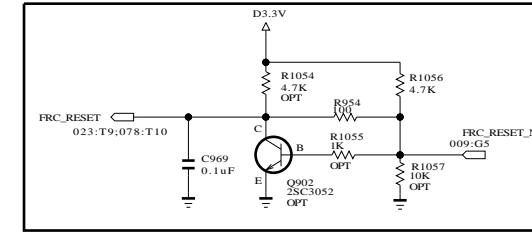
LE5500 EXCEPT DTV Measure OPTION



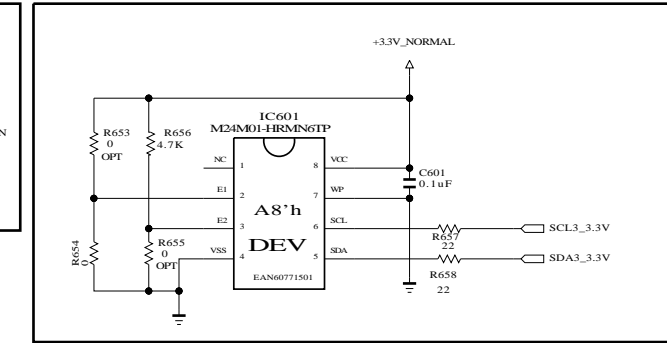
NAND FLASH MEMORY



FRC_RESET



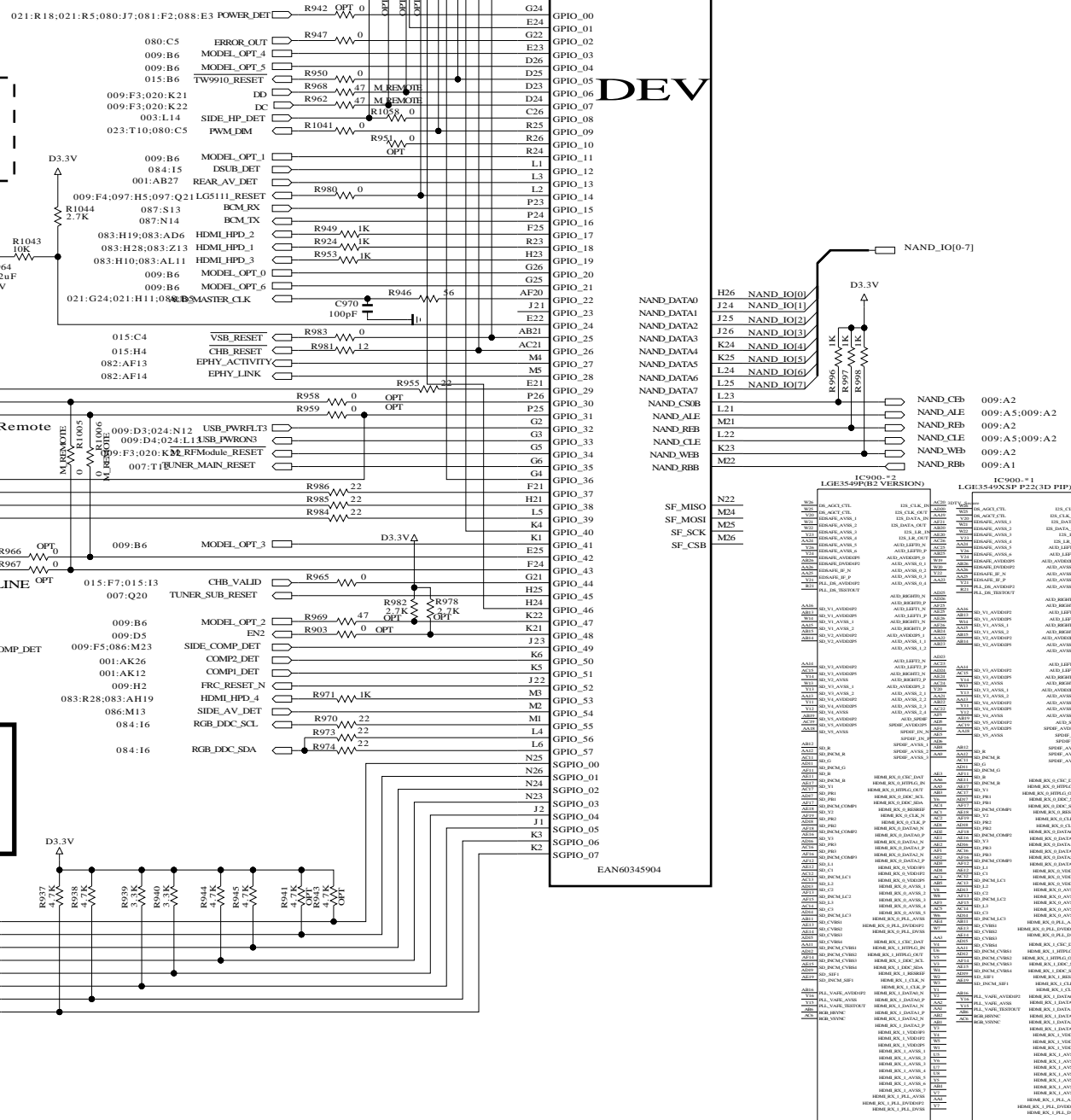
NVRAM



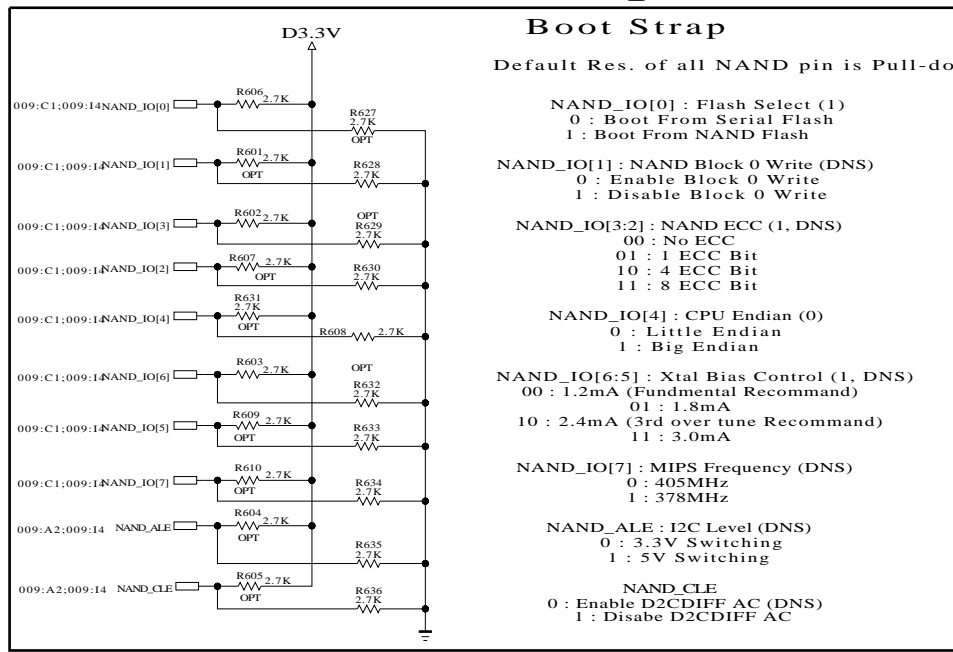
BCM3549 GPIO

IC900

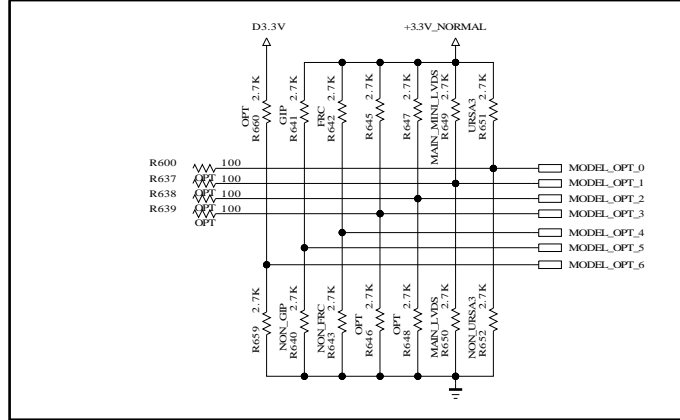
LGE3549XQ (B2 VERSION)



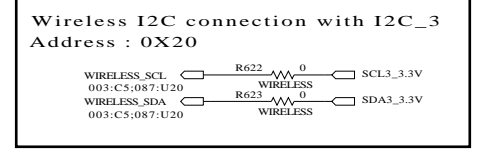
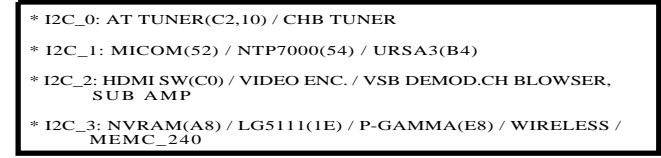
BCM3549 Boot Strap



MODEL OPTION



I2C MAP



THE SYMBOL MARK OF THIS SCHEMATIC DIAGRAM INCORPORATES SPECIAL FEATURES IMPORTANT FOR PROTECTION FROM X-RADIATION. FILRE AND ELECTRICAL SHOCK HAZARDS, WHEN SERVICING IF IS ESSENTIAL THAT ONLY MANUFACTURES SPECIFIED PARTS BE USED FOR THE CRITICAL COMPONENTS IN THE SYMBOL MARK OF THE SCHEMATIC.

SECRET
LGElectronics

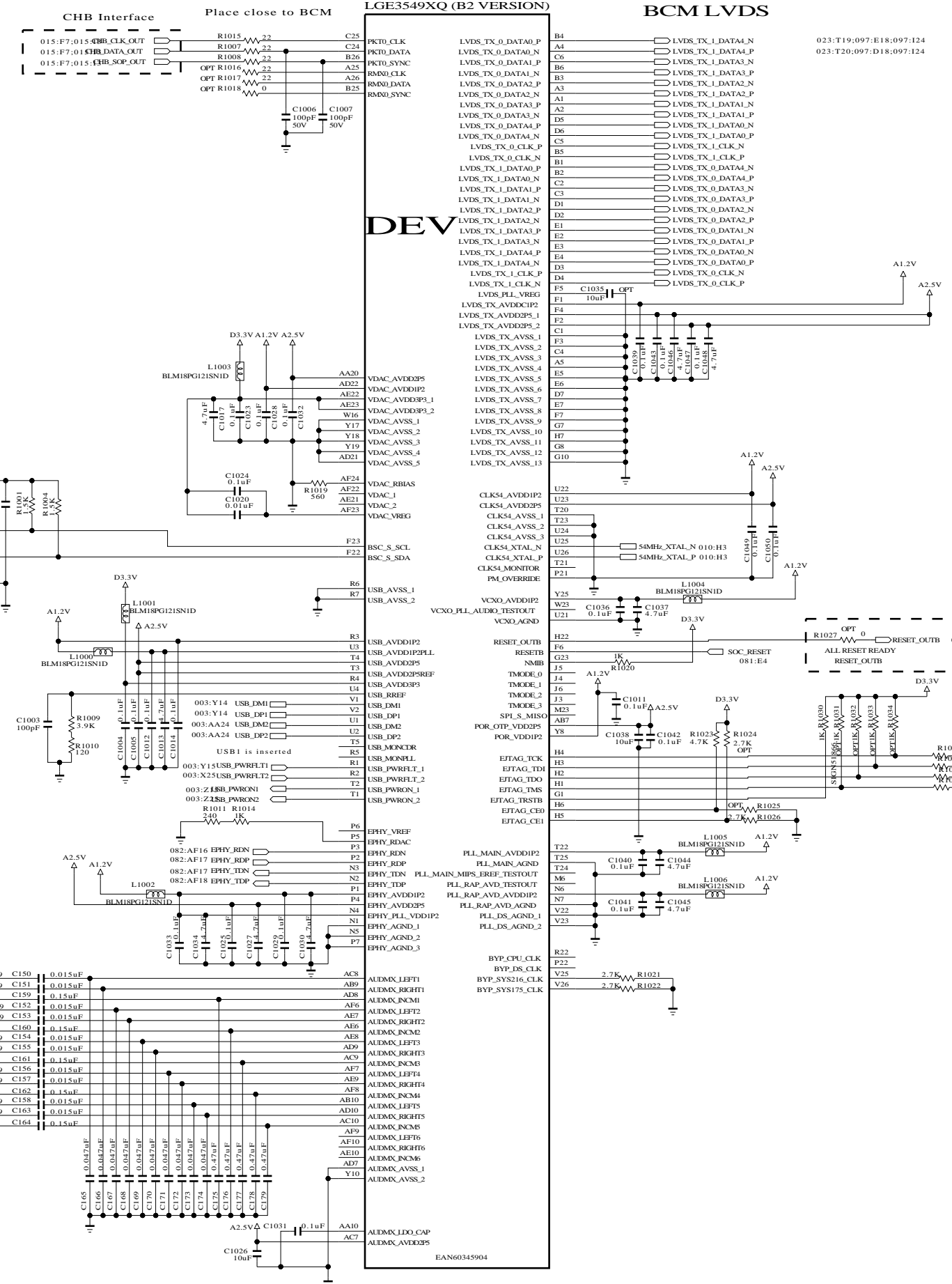
LG ELECTRONICS

BCM3549 LVDS/AUDIO

IC900

LGE3549XQ (B2 VERSION)

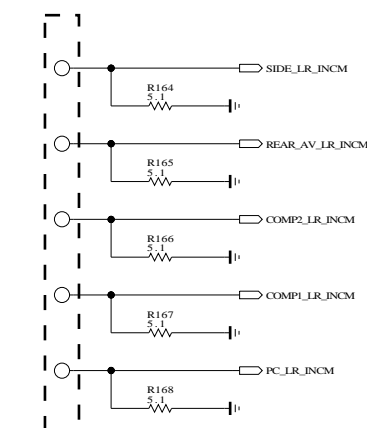
BCM LVDS



023:T19:097:E18:097:124
023:T20:097:D18:097:124

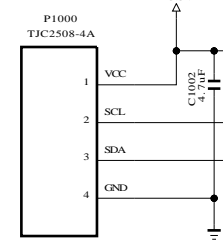
AUDIO INCM

Route INCM between associated left and right signals of same channel. The INCM trace ends at the same point where the connector ground connects to the board ground (thru-hole connector pin).



Place this test point near connector

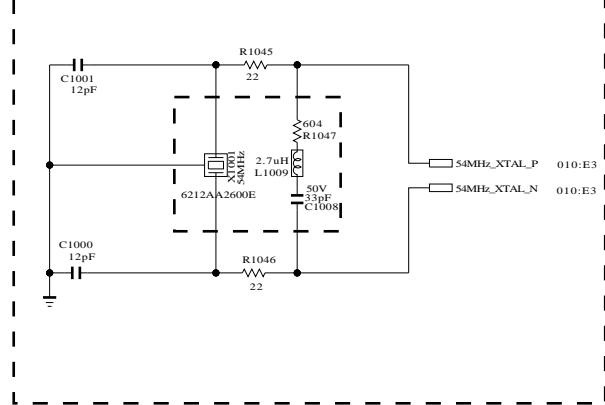
BBS CONNECT



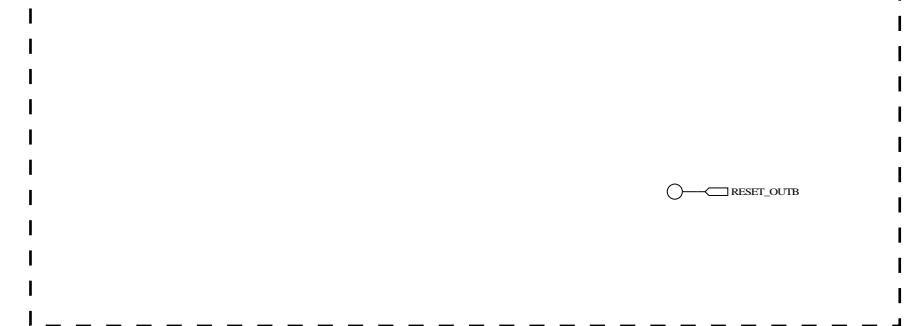
BCM AUDIO

001:AB24	REAR_AV_L_IN	R154	49.9	C150	0.015uF
001:AB25	REAR_AV_R_IN	R155	49.9	C151	0.015uF
010:BBEAR_AV_LR_INCM		R156	49.9	C152	0.015uF
001:AK22	COMP2_L_IN	R161	49.9	C153	0.015uF
001:AK23	COMP2_R_IN	R162	49.9	C154	0.015uF
010:BCOMP2_LR_INCM		R163	49.9	C155	0.015uF
001:AK8	COMP1_L_IN	R157	49.9	C156	0.015uF
001:AK10	COMP1_R_IN	R158	49.9	C157	0.015uF
010:BCOMP1_LR_INCM		R159	49.9	C158	0.015uF
086:M12	SIDE_AV_L_IN	R160	49.9	C159	0.015uF
086:M10	SIDE_AV_R_IN	R161	49.9	C160	0.015uF
010:B4	SIDE_LR_INCM	R162	49.9	C161	0.015uF
084:H3	PC_L_IN	R163	49.9	C162	0.015uF
084:H4	PC_R_IN	R164	49.9	C163	0.015uF
010:B5	PC_LR_INCM	R165	49.9	C164	0.015uF

3rd Overtone Crystal



RESET



#CAUTION
Location number is mixed
100 & 1000

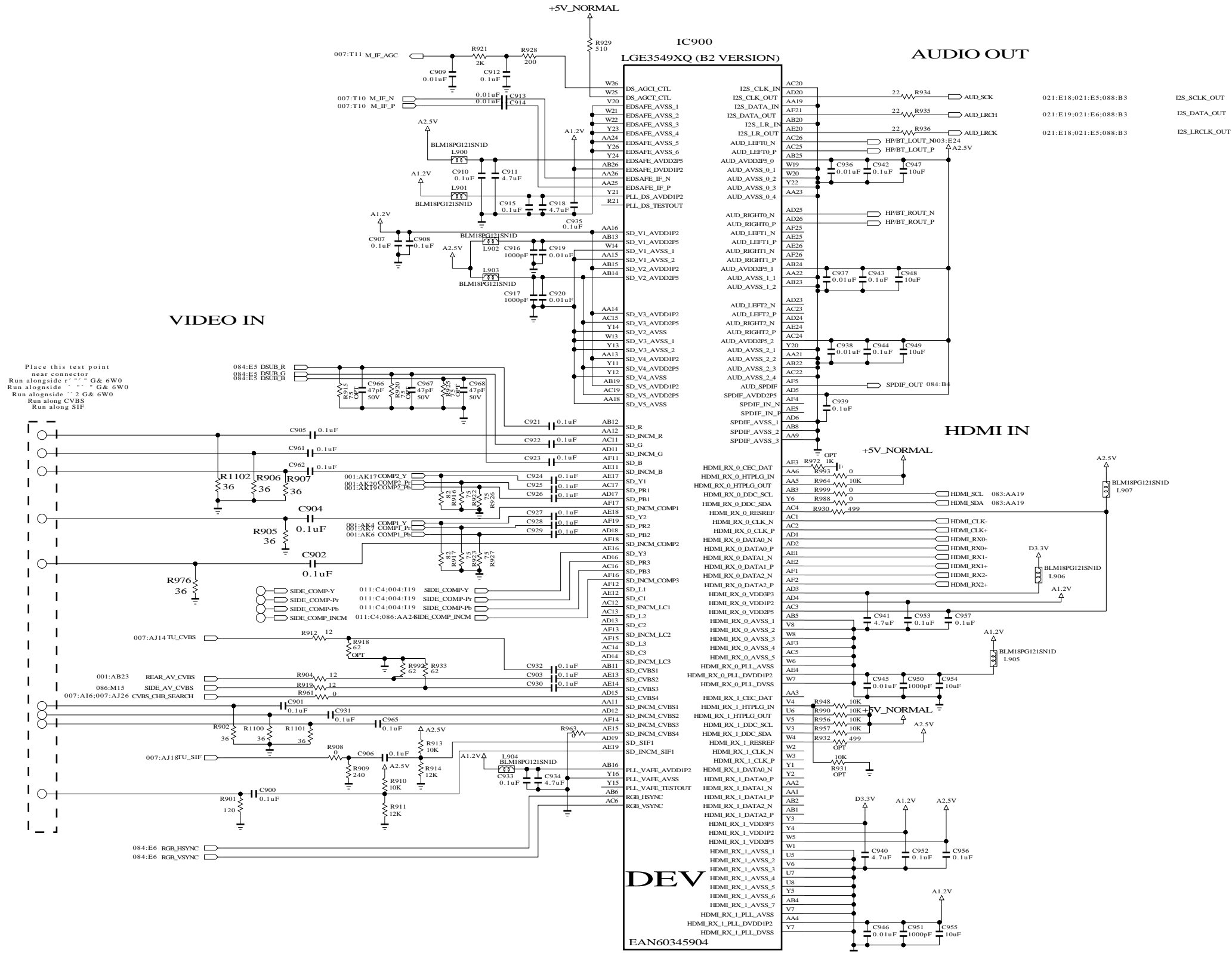
THE SYMBOL MARK OF THIS SCHEMATIC DIAGRAM INCORPORATES SPECIAL FEATURES IMPORTANT FOR PROTECTION FROM X-RADIATION. FILRE AND ELECTRICAL SHOCK HAZARDS, WHEN SERVICING IF IS ESSENTIAL THAT ONLY MANUFACTURES SPECIFIED PARTS BE USED FOR THE CRITICAL COMPONENTS IN THE SYMBOL MARK OF THE SCHEMATIC.

SECRET
LGElectronics



MODEL	GP2_BCM_ATS	DATE	09/10/xx
BLOCK	BCM-LVDS/AUDIO	SHEET	10 / 100

BCM3549 VIDEO



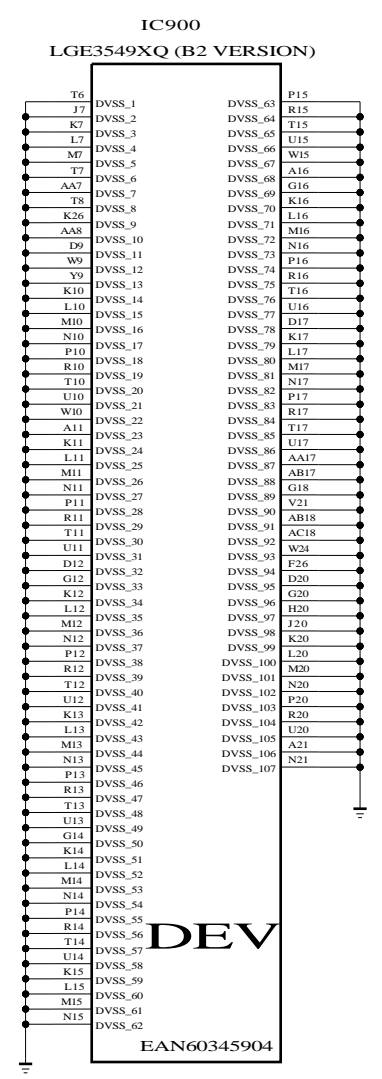
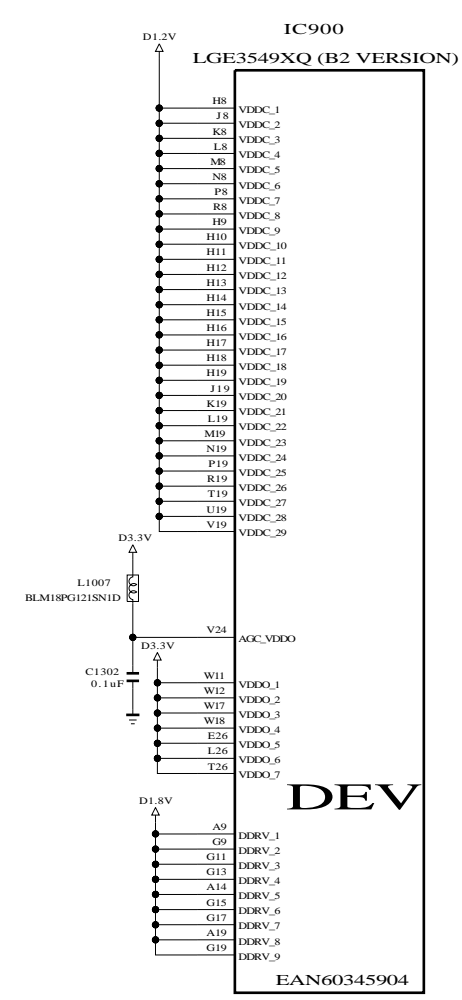
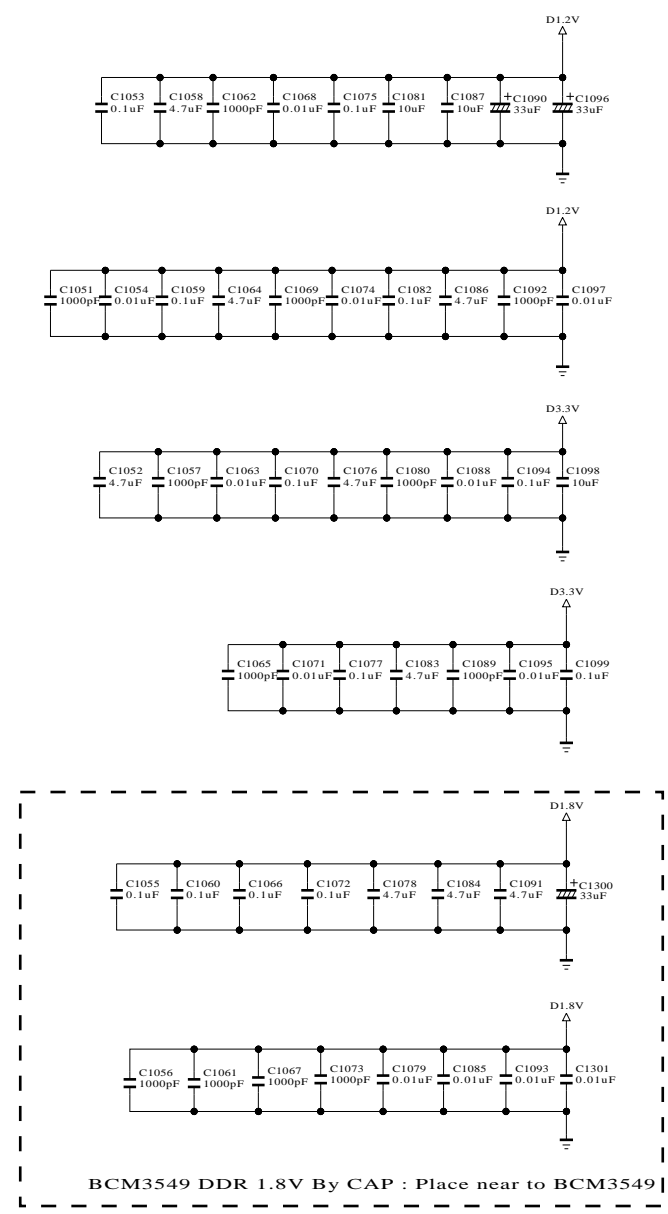
THE SYMBOL MARK OF THIS SCHEMATIC DIAGRAM INCORPORATES SPECIAL FEATURES IMPORTANT FOR PROTECTION FROM X-RADIATION, FILRE AND ELECTRICAL SHOCK HAZARDS, WHEN SERVICING IF IS ESSENTIAL THAT ONLY MANUFACTURES SPECIFIED PARTS BE USED FOR THE CRITICAL COMPONENTS IN THE SYMBOL MARK OF THE SCHEMATIC.

SECRET
LGElectronics



MODEL	GP2_BCM_ATSC	DATE	09/10/x x
BLOCK	BCM-VIDEO	SHEET	11 / 100

BCM3549 POWER



THE SYMBOL MARK OF THIS SCHEMATIC DIAGRAM INCORPORATES SPECIAL FEATURES IMPORTANT FOR PROTECTION FROM X-RADIATION, FILRE AND ELECTRICAL SHOCK HAZARDS, WHEN SERVICING IF IS ESSENTIAL THAT ONLY MANUFACTURES SPECIFIED PARTS BE USED FOR THE CRITICAL COMPONENTS IN THE SYMBOL MARK OF THE SCHEMATIC.

SECRET
LGElectronics

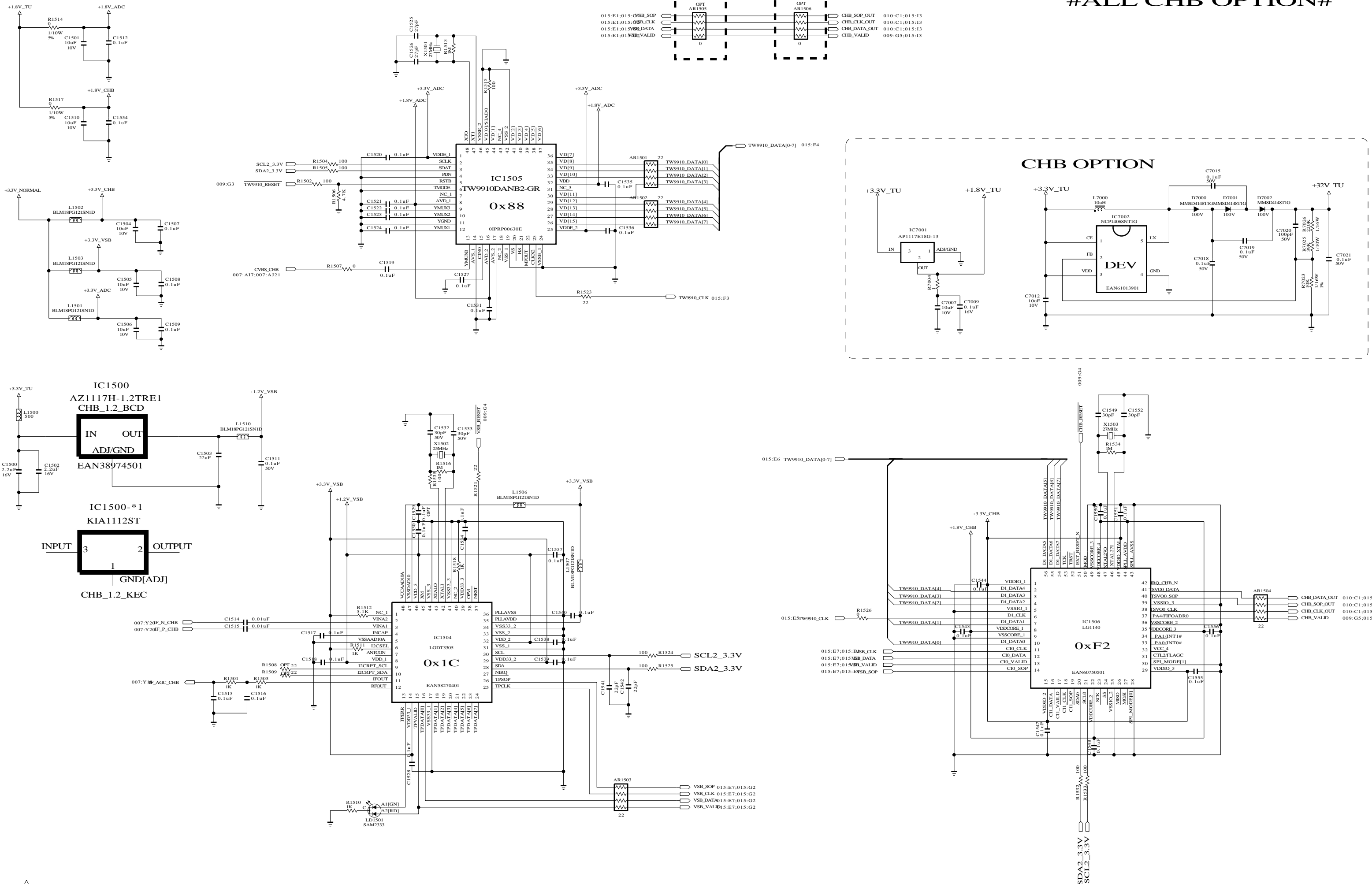
JANG JAE HO

LG ELECTRONICS

MODEL	GP2_BCM_ATS	DATE	09/04/xx
BLOCK	BCM-POWER	SHEET	13 / 100

Channel Browser

#ALL CHB OPTION#



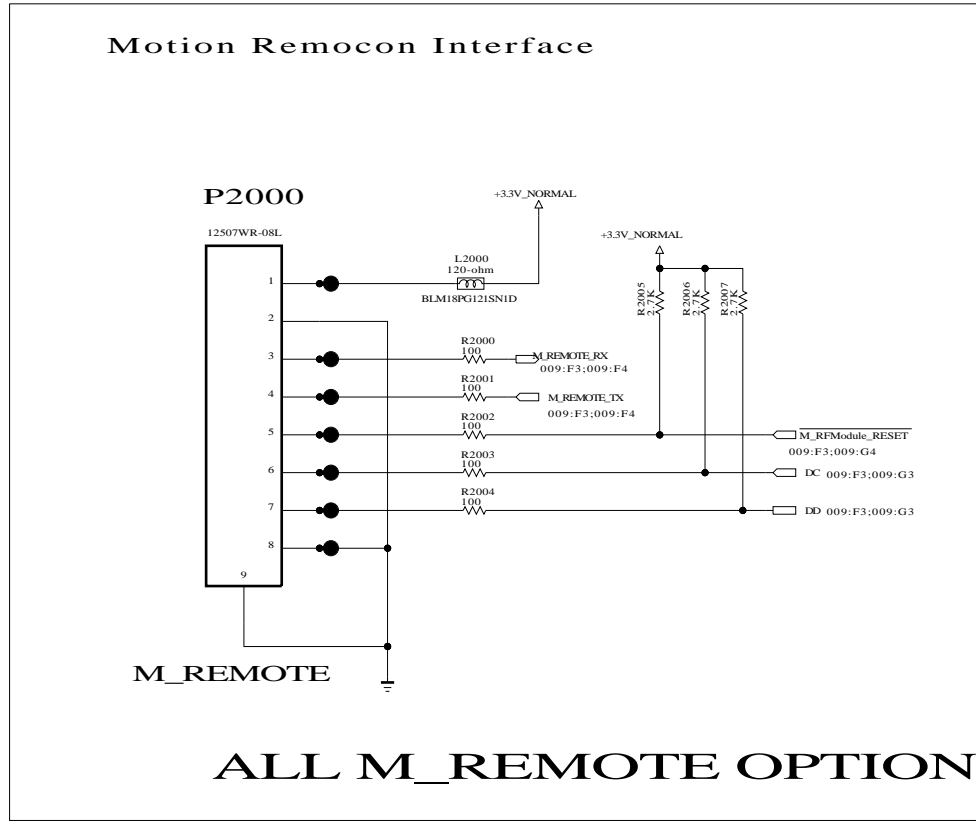
THE SYMBOL MARK OF THIS SCHEMATIC DIAGRAM INCORPORATES SPECIAL FEATURES IMPORTANT FOR PROTECTION FROM X-RADIATION, FILRE AND ELECTRICAL SHOCK HAZARDS, WHEN SERVICING IF IS ESSENTIAL THAT ONLY MANUFACTURES SPECIFIED PARTS BE USED FOR THE CRITICAL COMPONENTS IN THE SYMBOL MARK OF THE SCHEMATIC.

SECRET
LGElectronics



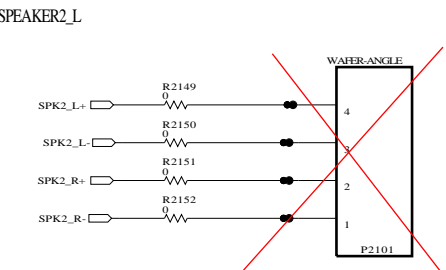
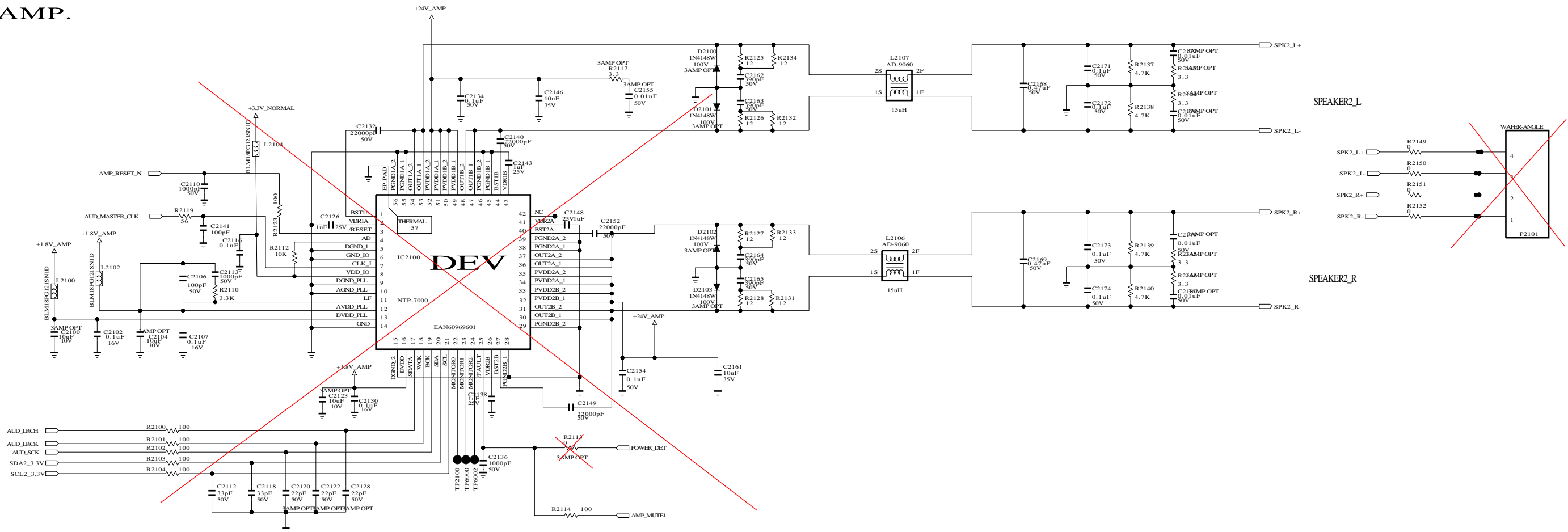
MODEL	GP2_BCM_ATSC	DATE	09.10
BLOCK	CHB	SHEET	15 / 100

Motion Remote controller

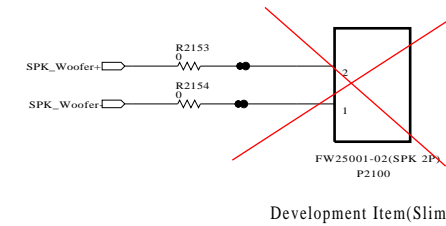
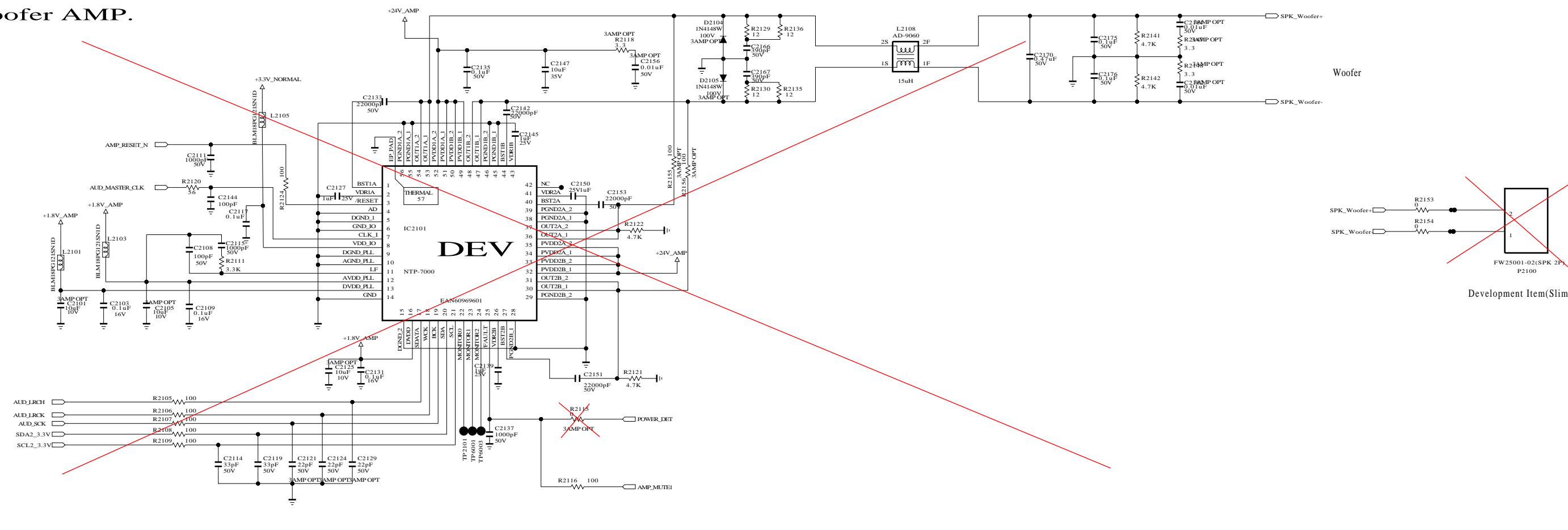


THE SYMBOL MARK OF THIS SCHEMATIC DIAGRAM INCORPORATES SPECIAL FEATURES IMPORTANT FOR PROTECTION FROM X-RADIATION. FILRE AND ELECTRICAL SHOCK HAZARDS, WHEN SERVICING IF IS ESSENTIAL THAT ONLY MANUFACTURES SPECIFIED PARTS BE USED FOR THE CRITICAL COMPONENTS IN THE SYMBOL MARK OF THE SCHEMATIC.

Sub AMP.



Woofers AMP.



Development Item(Slim Depth)

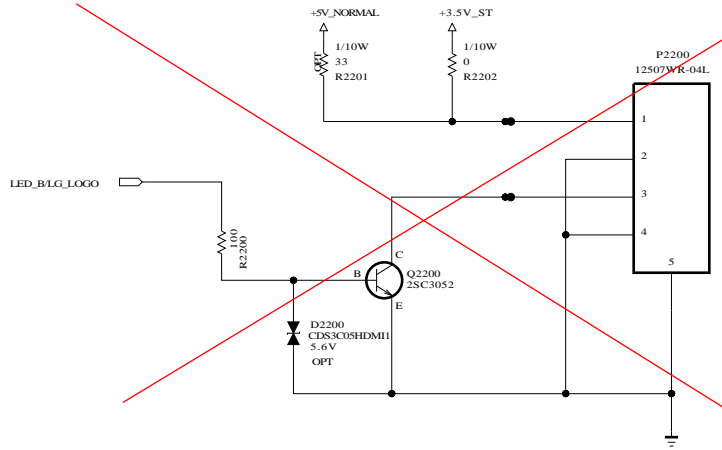
THE SYMBOL MARK OF THIS SCHEMATIC DIAGRAM INCORPORATES SPECIAL FEATURES IMPORTANT FOR PROTECTION FROM X-RADIATION. FILRE AND ELECTRICAL SHOCK HAZARDS, WHEN SERVING IF IS ESSENTIAL THAT ONLY MANUFACTURES SPECIFIED PARTS BE USED FOR THE CRITICAL COMPONENTS IN THE SYMBOL MARK OF THE SCHEMATIC.


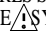
SECRET
LGElectronics



MODEL	GP2_BCM_ATSC	DATE	09.10
BLOCK	AMP_SUB_NTP	SHEET	21 / 100

LG LOGO FOR LE9500

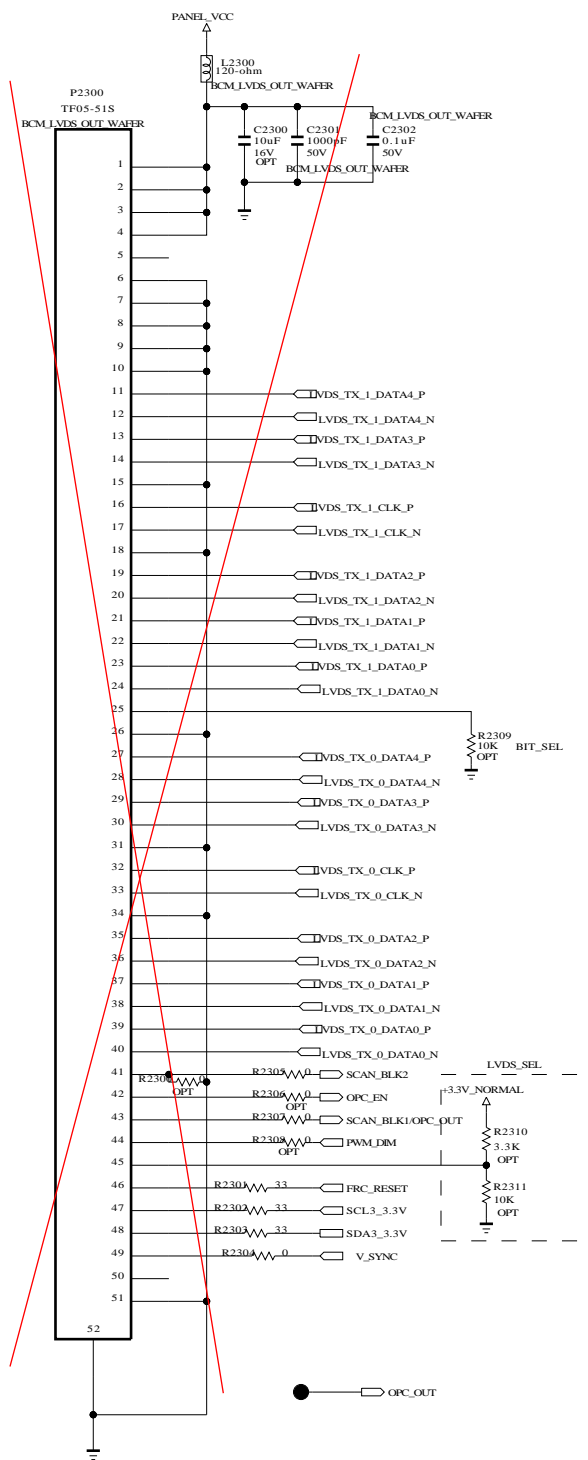


THE  SYMBOL MARK OF THIS SCHEMATIC DIAGRAM INCORPORATES SPECIAL FEATURES IMPORTANT FOR PROTECTION FROM X-RADIATION. FILRE AND ELECTRICAL SHOCK HAZARDS, WHEN SERVICING IF IS ESSENTIAL THAT ONLY MANUFACTURES SPECIFIED PARTS BE USED FOR THE CRITICAL COMPONENTS IN THE  SYMBOL MARK OF THE SCHEMATIC.

SECRET	 LG ELECTRONICS
LGElectronics	

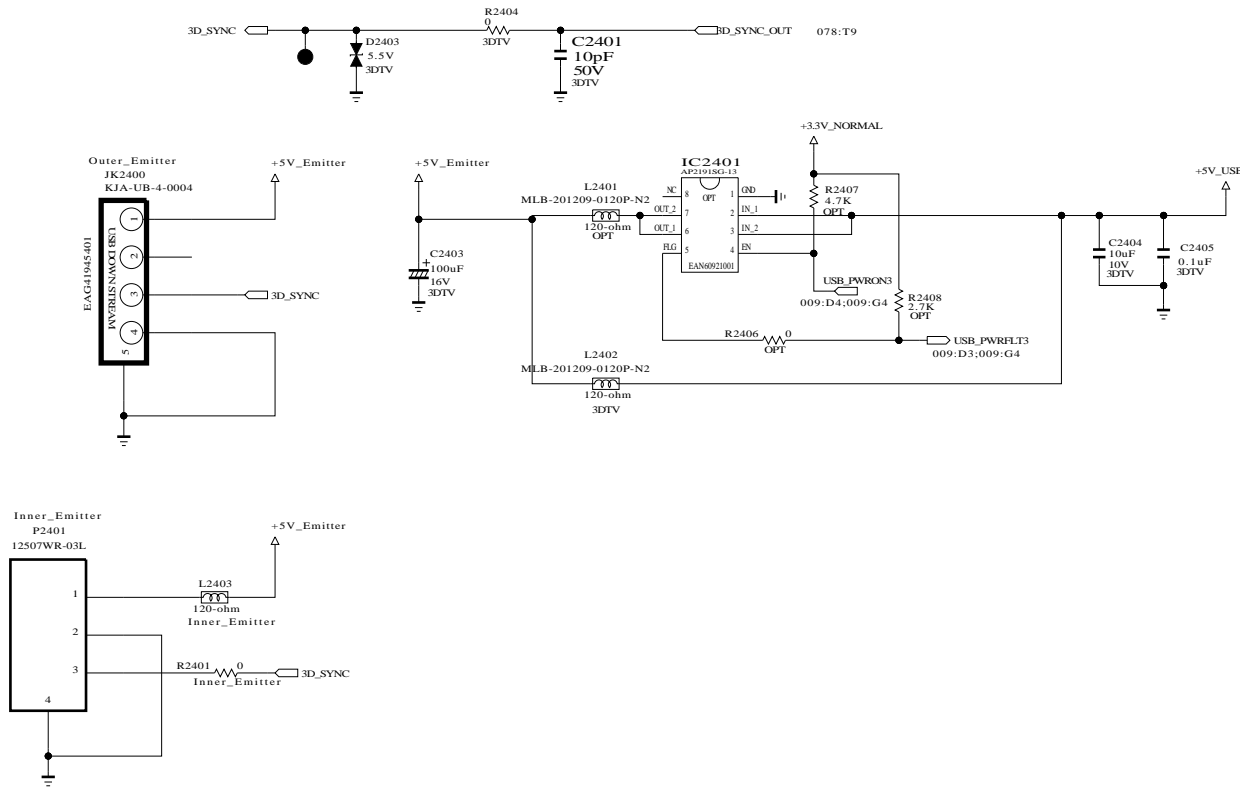
MODEL	GP2_BCM_ATSC	DATE	09/10/xx
BLOCK	LG_LOGO_LE9500	SHEET	22 / 100


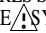
[51Pin LVDS Connector]
(For FHD 60Hz)



THE SYMBOL MARK OF THIS SCHEMATIC DIAGRAM INCORPORATES SPECIAL FEATURES IMPORTANT FOR PROTECTION FROM X-RADIATION. FILRE AND ELECTRICAL SHOCK HAZARDS, WHEN SERVICING IF IS ESSENTIAL THAT ONLY MANUFACTURES SPECIFIED PARTS BE USED FOR THE CRITICAL COMPONENTS IN THE SYMBOL MARK OF THE SCHEMATIC.

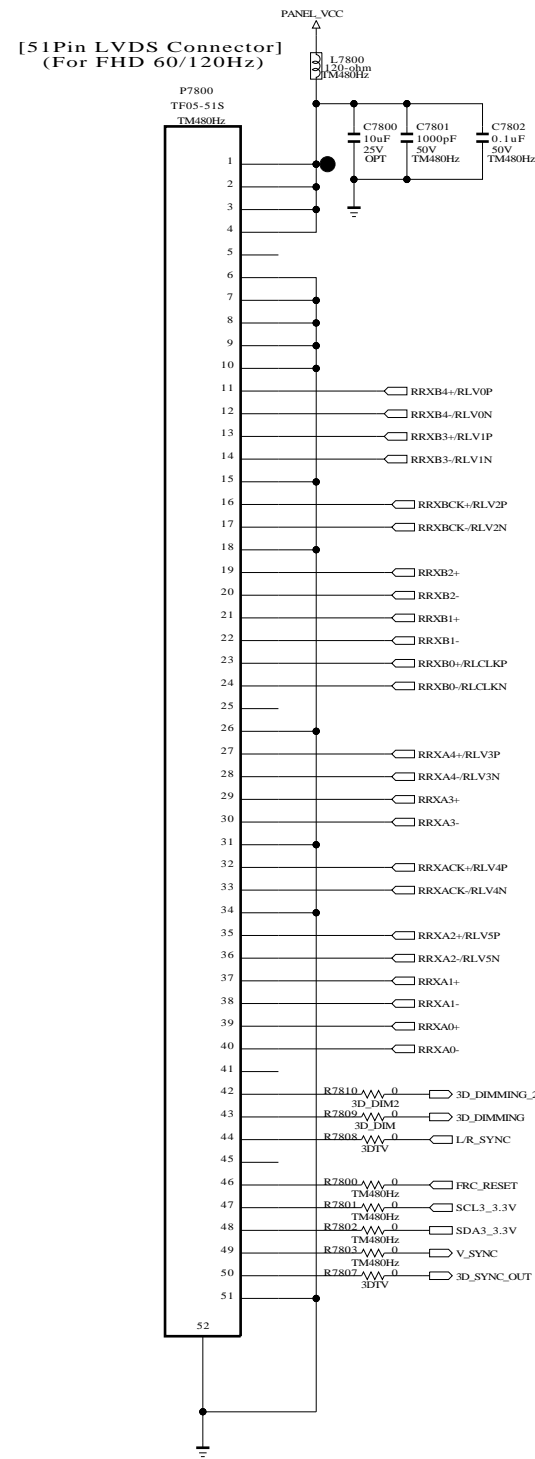
SIDE IR Emitter sync USB JACK



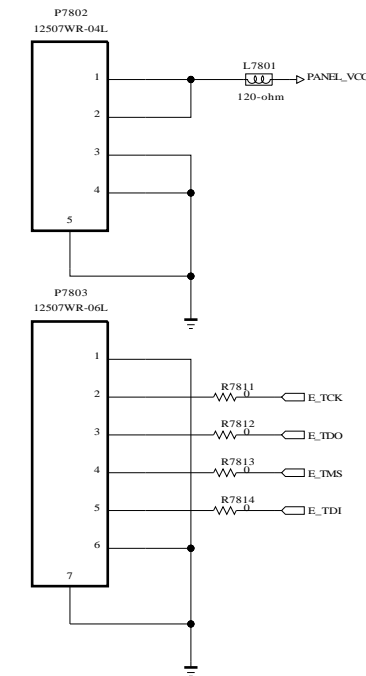
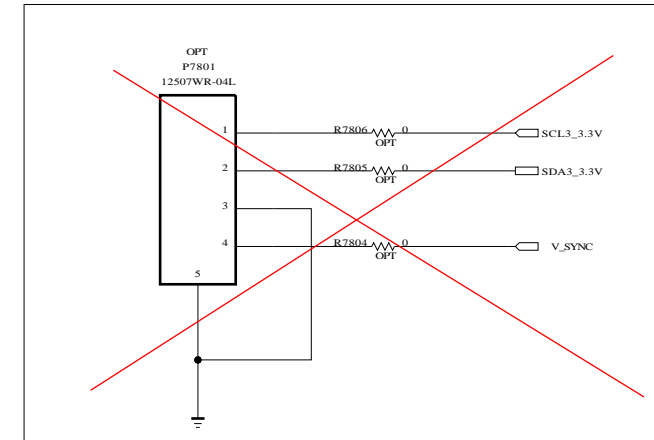
THE  SYMBOL MARK OF THIS SCHEMATIC DIAGRAM INCORPORATES SPECIAL FEATURES IMPORTANT FOR PROTECTION FROM X-RADIATION. FILRE AND ELECTRICAL SHOCK HAZARDS. WHEN SERVICING IF IS ESSENTIAL THAT ONLY MANUFACTURES SPECIFIED PARTS BE USED FOR THE CRITICAL COMPONENTS IN THE  SYMBOL MARK OF THE SCHEMATIC.

SECRET	 LG ELECTRONICS
LGElectronics	

MODEL	GP2_BCM_ATSC	DATE	09/11/18
BLOCK	3D_IR_GENDER	SHEET	24 / 100



I2C_#3 Check(LG5111, LG1120, etc)



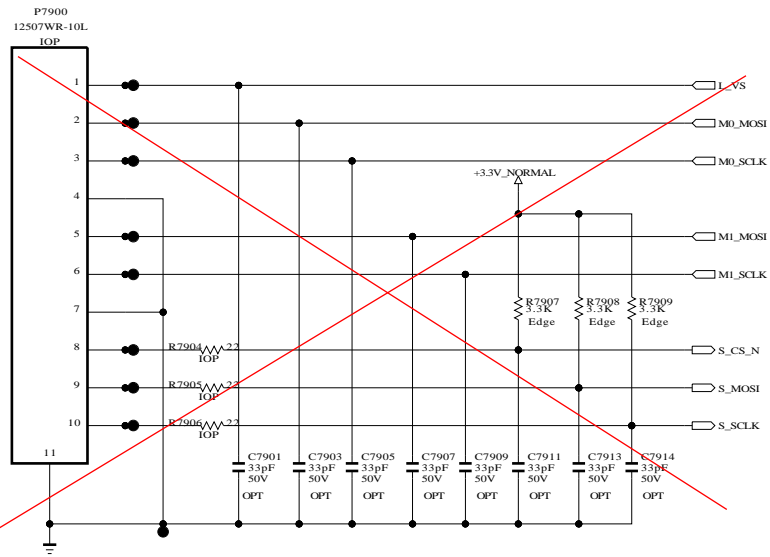
THE SYMBOL MARK OF THIS SCHEMATIC DIAGRAM INCORPORATES SPECIAL FEATURES IMPORTANT FOR PROTECTION FROM X-RADIATION. FILRE AND ELECTRICAL SHOCK HAZARDS, WHEN SERVICING IF IS ESSENTIAL THAT ONLY MANUFACTURES SPECIFIED PARTS BE USED FOR THE CRITICAL COMPONENTS IN THE SYMBOL MARK OF THE SCHEMATIC.

SECRET
LGElectronics

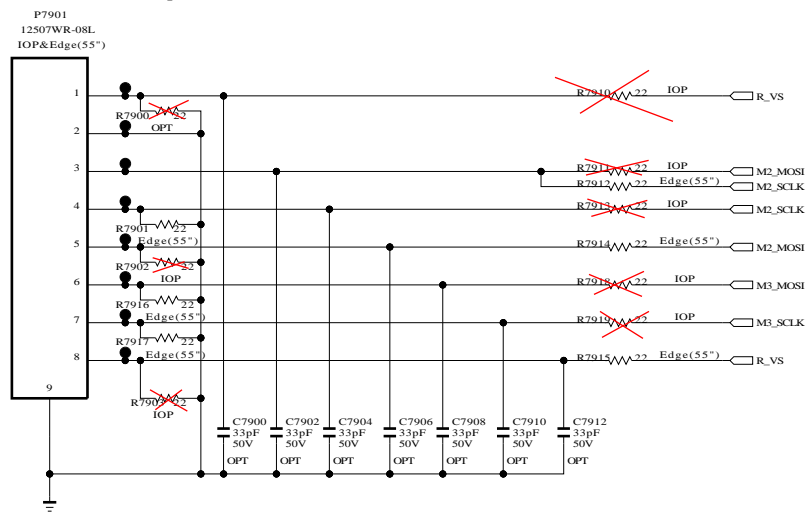
LG ELECTRONICS

MODEL	COMMON	DATE	09/10/xx
BLOCK	LG5111 60Hz LVDS	SHEET	78 / 100

[To MASTER LED DRIVER]



[To SLAVE LED DRIVER]



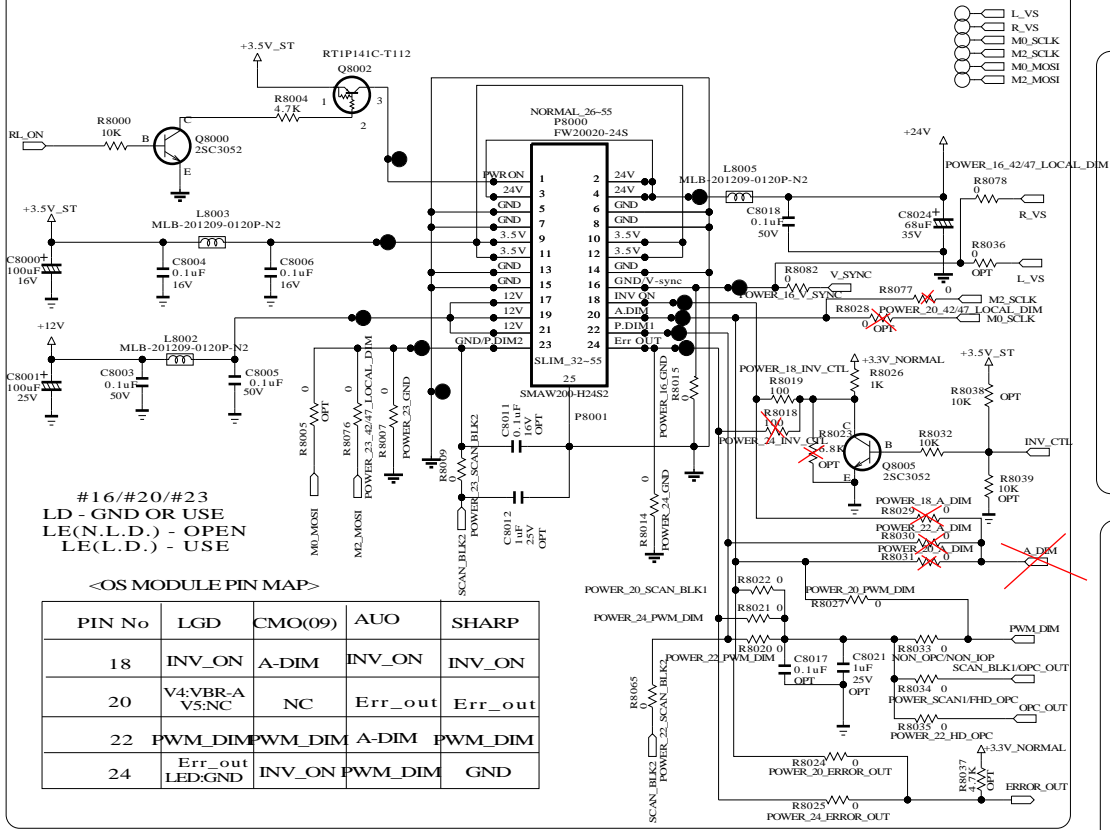
THE SYMBOL MARK OF THIS SCHEMATIC DIAGRAM INCORPORATES SPECIAL FEATURES IMPORTANT FOR PROTECTION FROM X-RADIATION. FILRE AND ELECTRICAL SHOCK HAZARDS, WHEN SERVICING IF IS ESSENTIAL THAT ONLY MANUFACTURES SPECIFIED PARTS BE USED FOR THE CRITICAL COMPONENTS IN THE SYMBOL MARK OF THE SCHEMATIC.

SECRET
LGElectronics

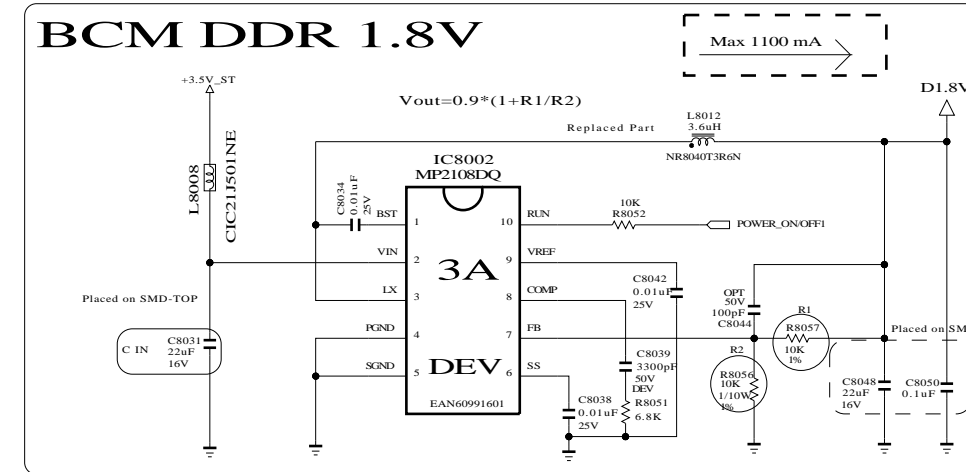
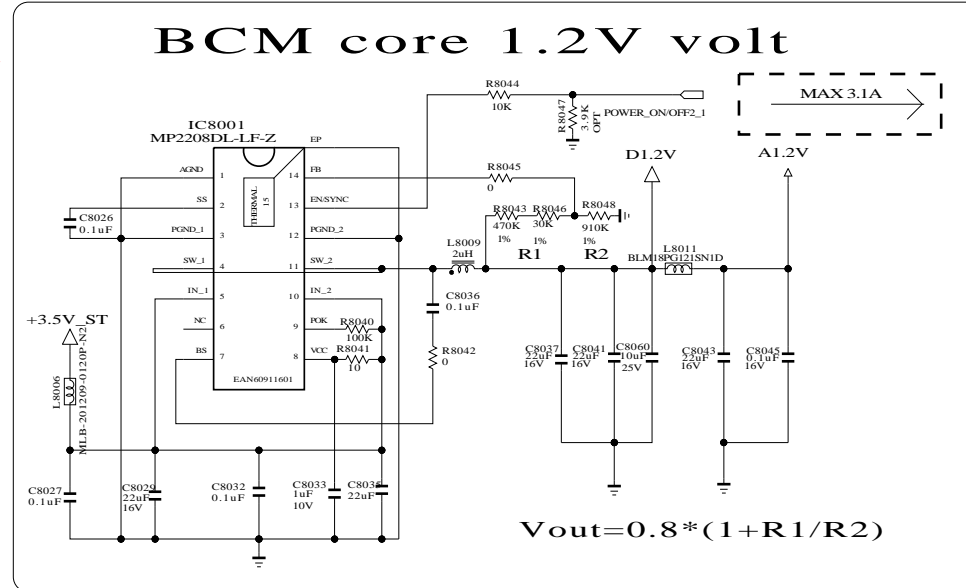
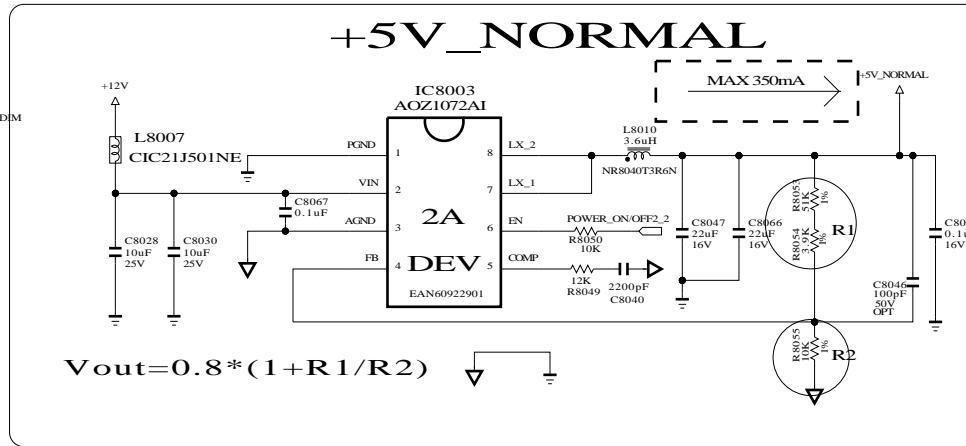
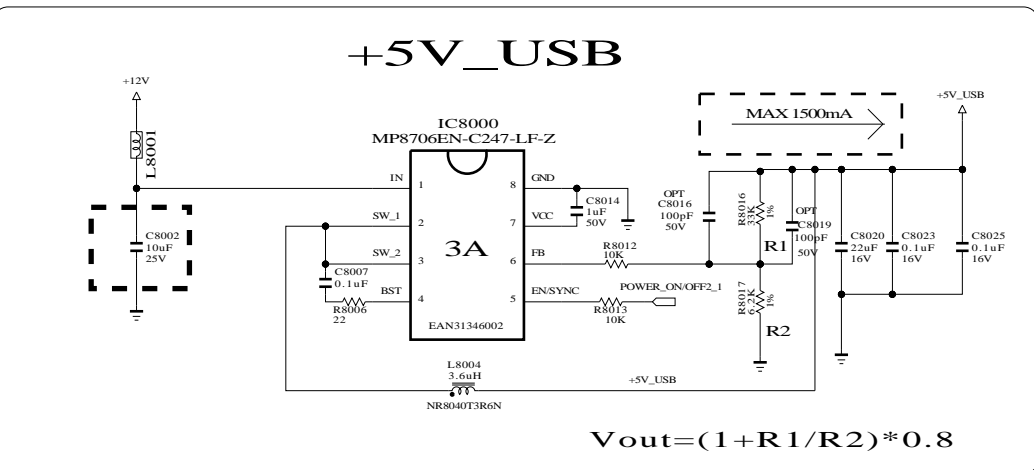
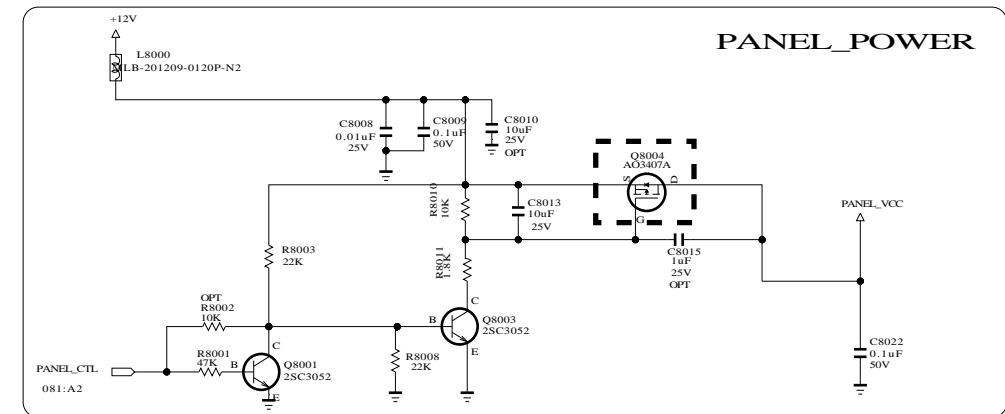


MODEL	GP2_Saturn7M	DATE	Ver. 1.0
BLOCK	Interface for LG511	SHEET	72 /

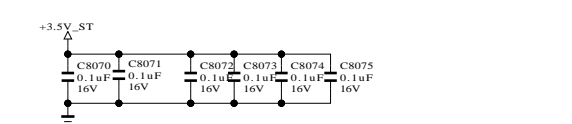
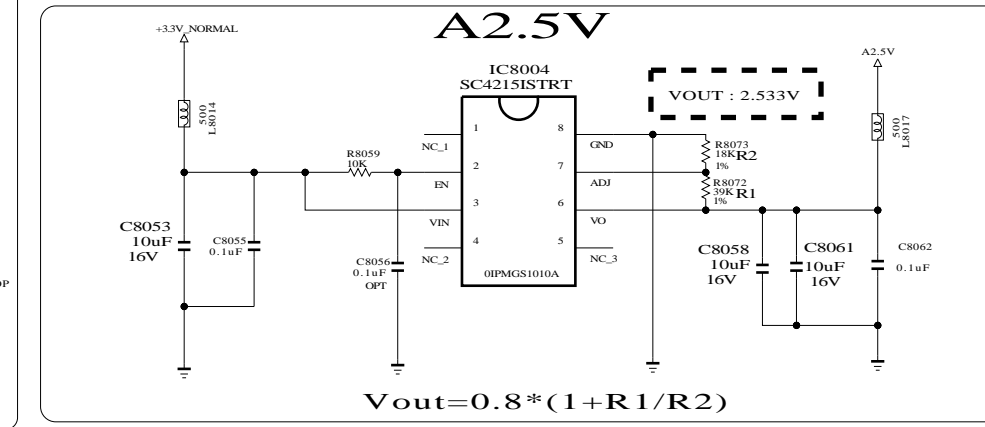
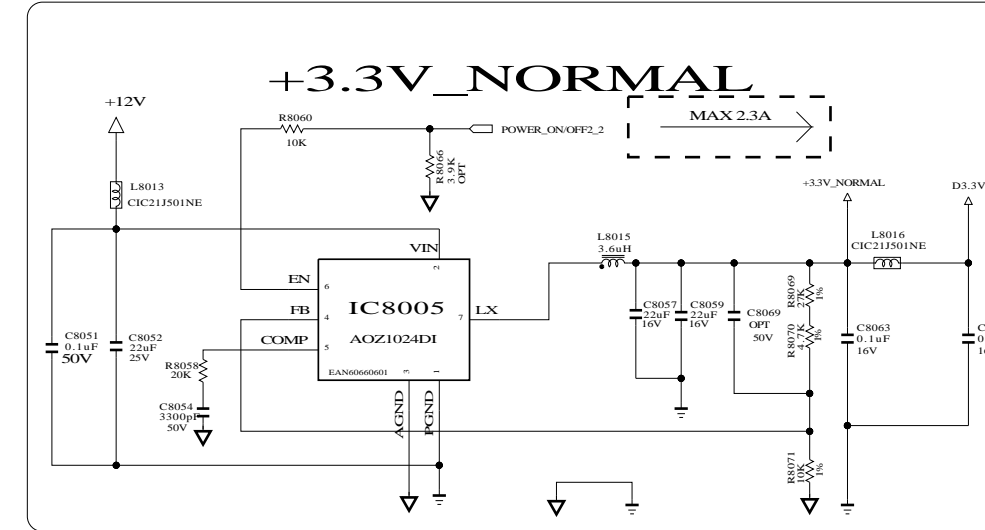
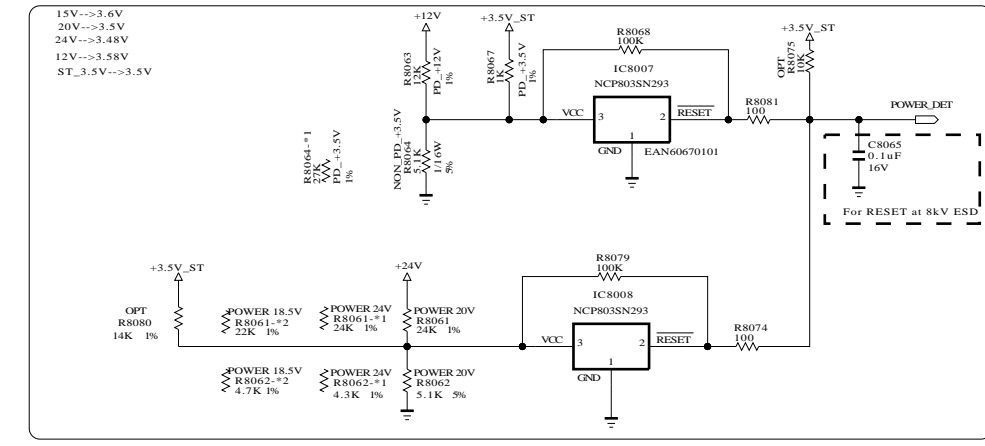
FROM LIPS & POWER B/D



CHECK PWR/MODULE PIN MAP



Power_DET

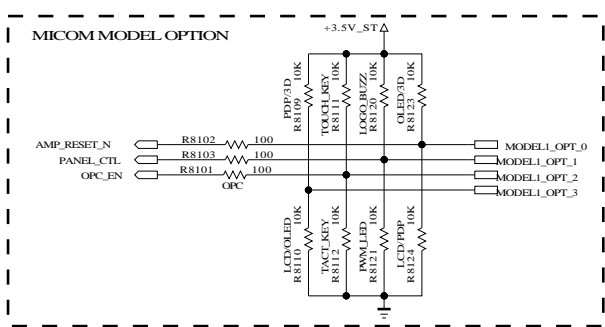
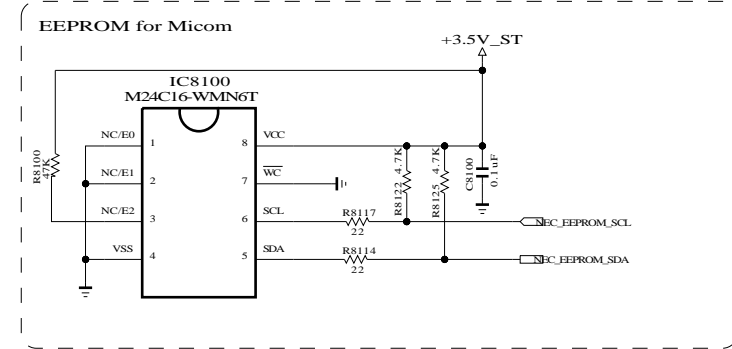
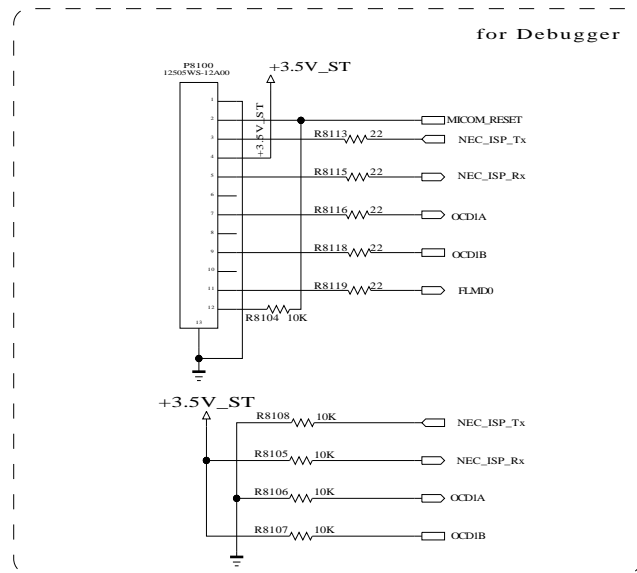
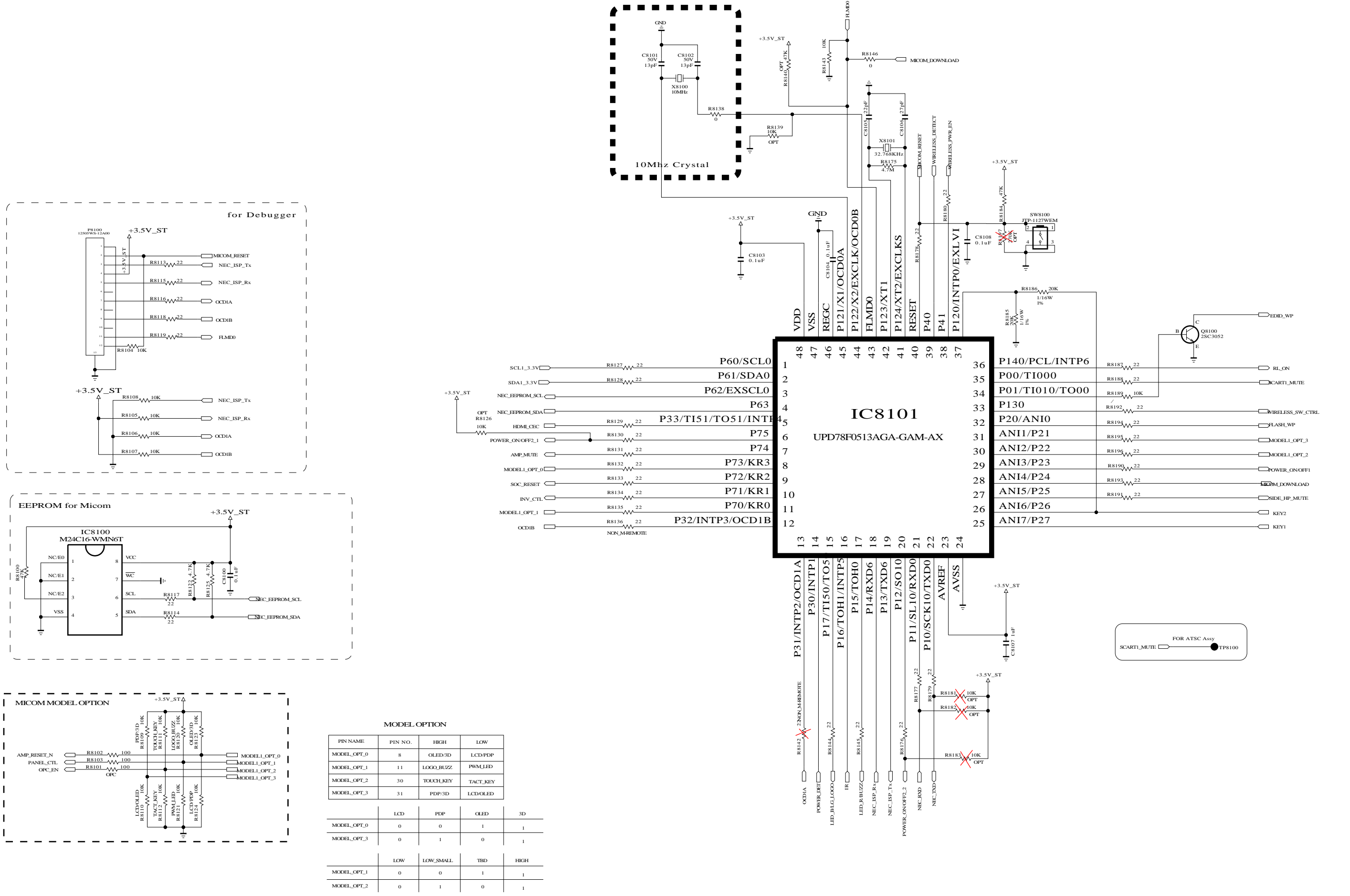


THE SYMBOL MARK OF THIS SCHEMATIC DIAGRAM INCORPORATES SPECIAL FEATURES IMPORTANT FOR PROTECTION FROM X-RADIATION. FILRE AND ELECTRICAL SHOCK HAZARDS, WHEN SERVICING IF IS ESSENTIAL THAT ONLY MANUFACTURES SPECIFIED PARTS BE USED FOR THE CRITICAL COMPONENTS IN THE SYMBOL MARK OF THE SCHEMATIC.

SECRET
LGElectronics



MODEL	COMMON	DATE	09/10/xx
BLOCK	POWER	SHEET	80 / 100



MODEL OPTION

PIN NAME	PIN NO.	HIGH	LOW
MODEL_OPT_0	8	OLED/3D	LCD/PDP
MODEL_OPT_1	11	LOGO_BUZZ	PWM_LED
MODEL_OPT_2	30	TOUCH_KEY	TACT_KEY
MODEL_OPT_3	31	PDP/3D	LCD/OLED

	LCD	PDP	OLED	3D
MODEL_OPT_0	0	0	1	1
MODEL_OPT_3	0	1	0	1

	LOW	LOW_SMALL	TBD	HIGH
MODEL_OPT_1	0	0	1	1
MODEL_OPT_2	0	1	0	1

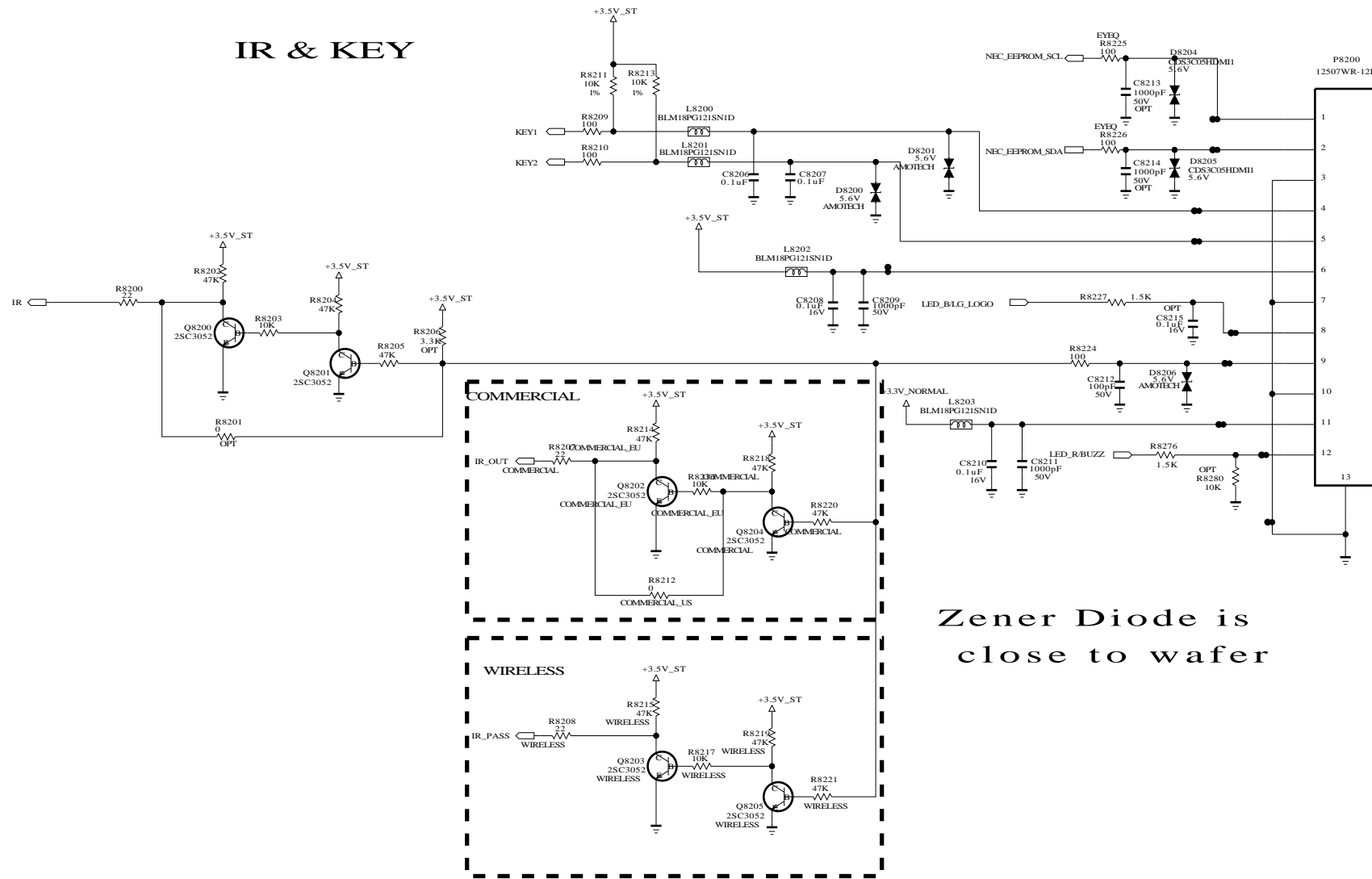
THE SYMBOL MARK OF THIS SCHEMATIC DIAGRAM INCORPORATES SPECIAL FEATURES IMPORTANT FOR PROTECTION FROM X-RADIATION. FILRE AND ELECTRICAL SHOCK HAZARDS, WHEN SERVICING IF IS ESSENTIAL THAT ONLY MANUFACTURES SPECIFIED PARTS BE USED FOR THE CRITICAL COMPONENTS IN THE SYMBOL MARK OF THE SCHEMATIC.

SECRET
LGElectronics

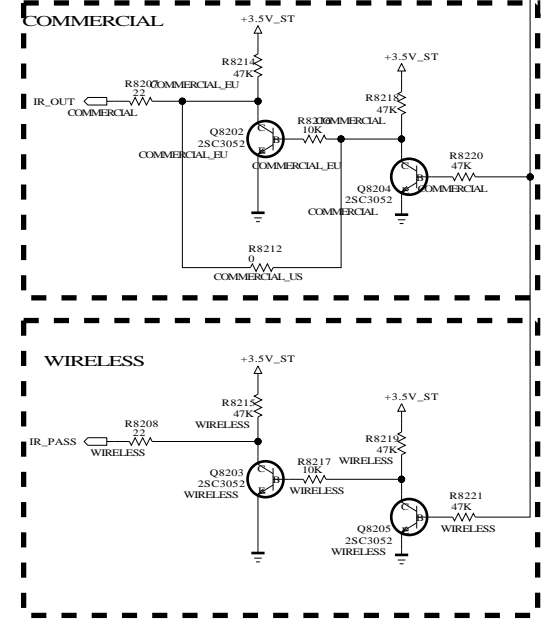
LG ELECTRONICS

MODEL	GP2_Saturn7M	DATE	Ver. 1.4
BLOCK	MICOM	SHEET	5 /

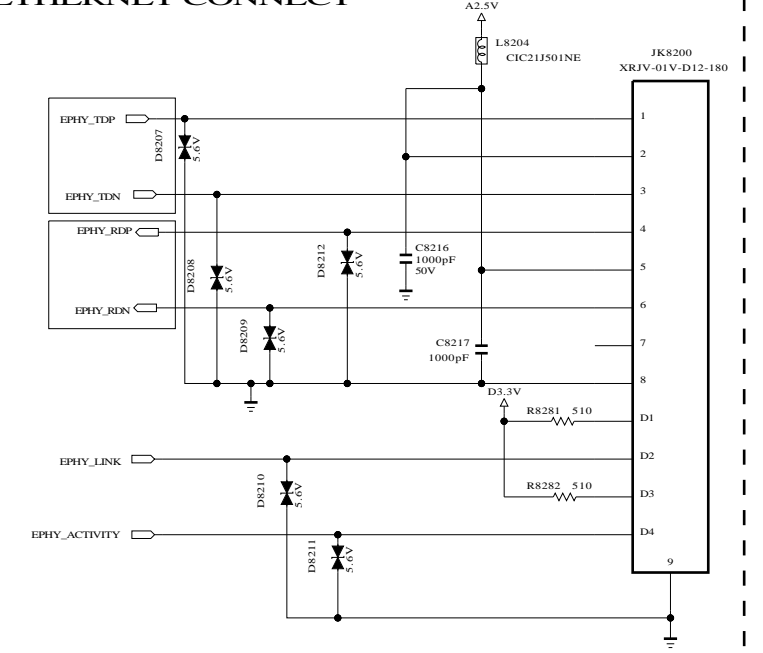
IR & KEY



Zener Diode is close to wafer

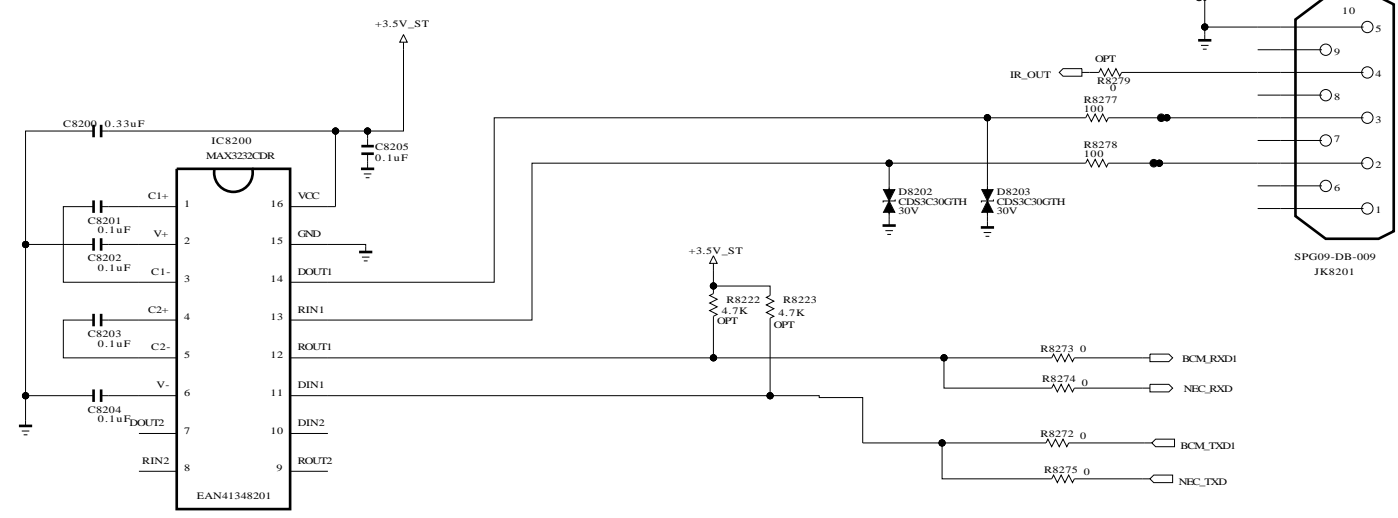


ETHERNET CONNECT



Trace impedance : 100 ohm differential impedance to GND plane | 5 mils trace width with 7 mils air gap on P/N pair. Adjacent TX/RX differential pairs should be separated by more than 15 mils to each other

RS232C

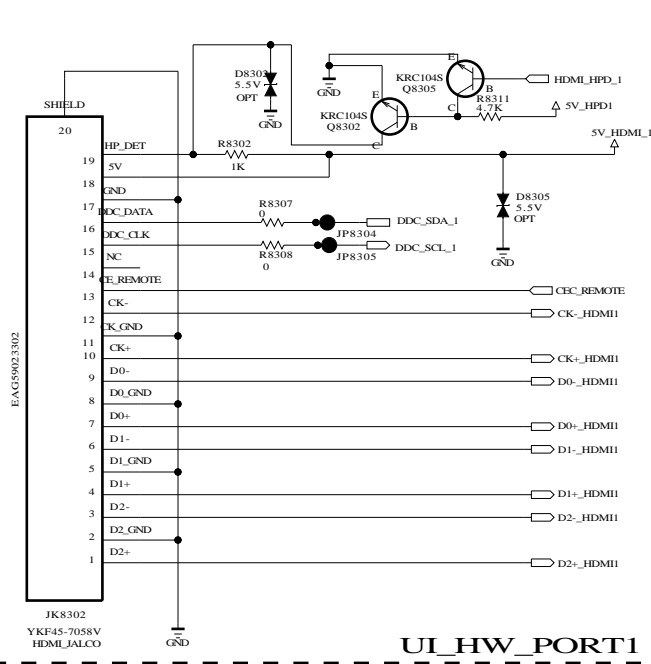


THE SYMBOL MARK OF THIS SCHEMATIC DIAGRAM INCORPORATES SPECIAL FEATURES IMPORTANT FOR PROTECTION FROM X-RADIATION. FILRE AND ELECTRICAL SHOCK HAZARDS, WHEN SERVICING IF IS ESSENTIAL THAT ONLY MANUFACTURES SPECIFIED PARTS BE USED FOR THE CRITICAL COMPONENTS IN THE SYMBOL MARK OF THE SCHEMATIC.

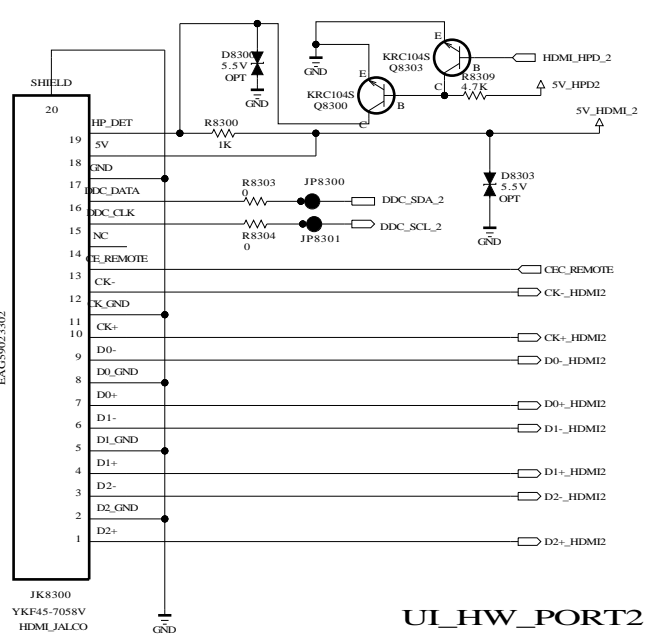
SECRET
LGElectronics



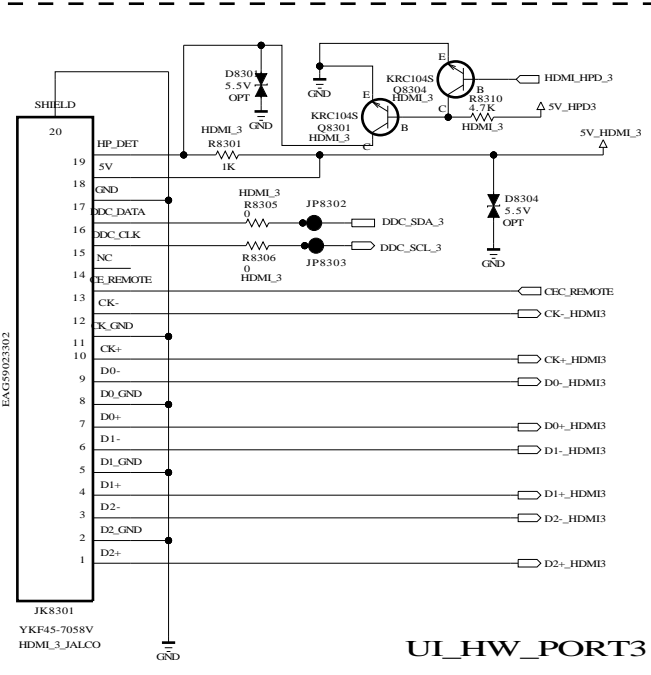
MODEL		DATE	
BLOCK		SHEET	



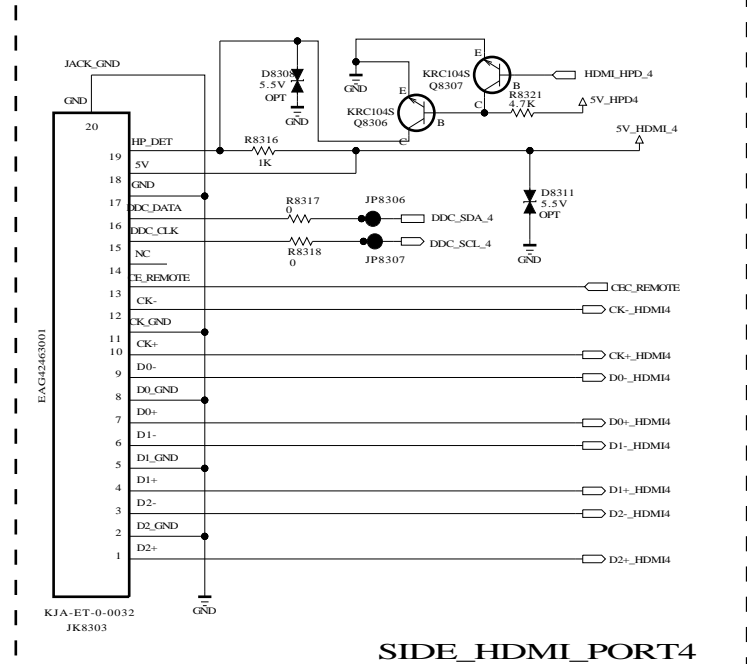
UI_HW_PORT1



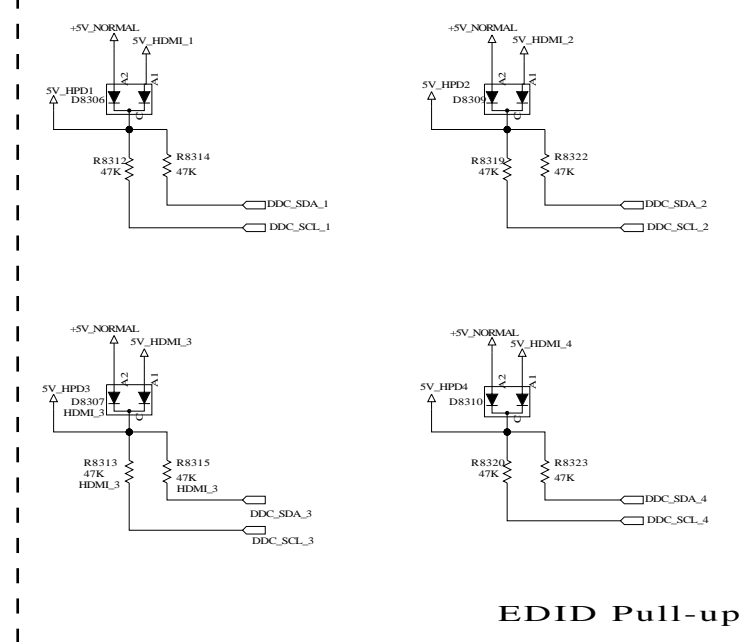
UI_HW_PORT2



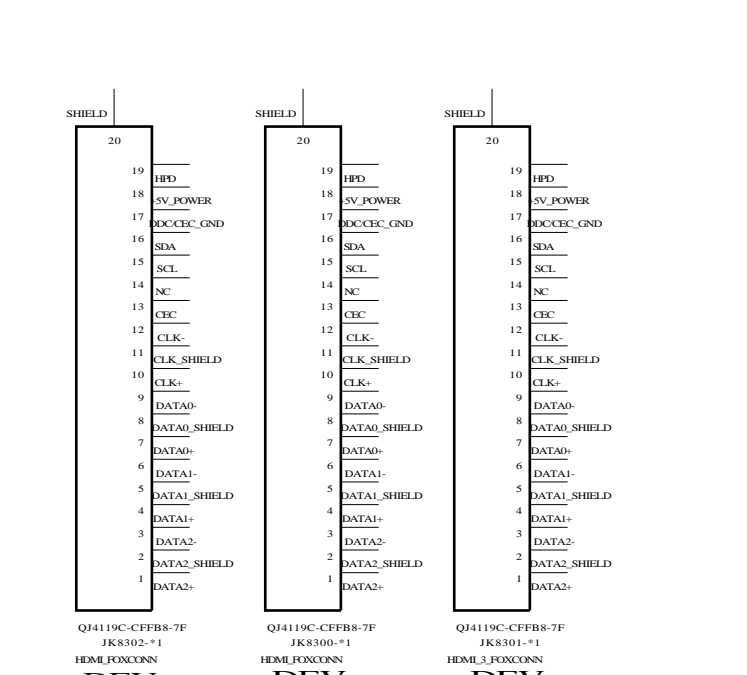
UI_HW_PORT3



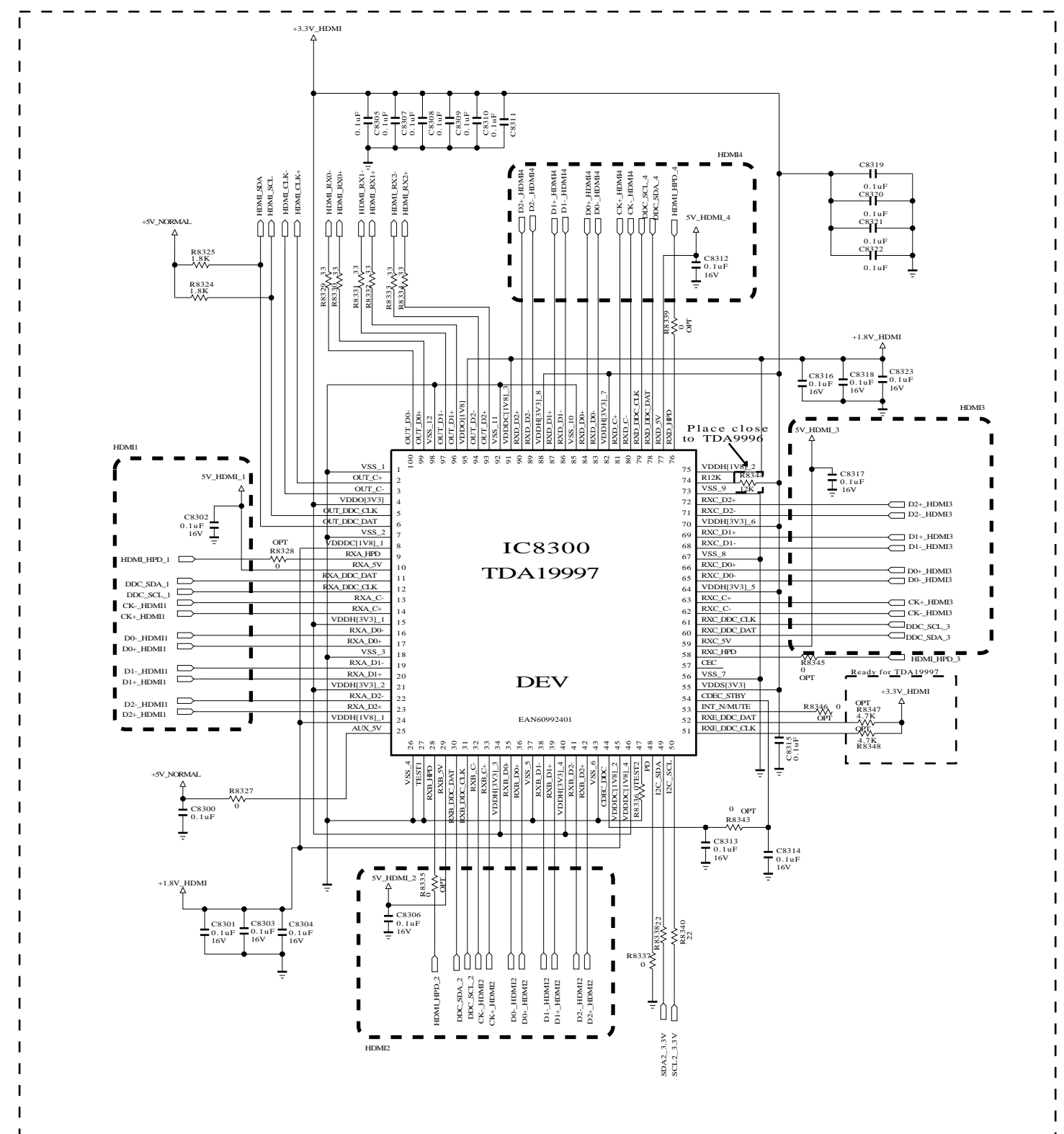
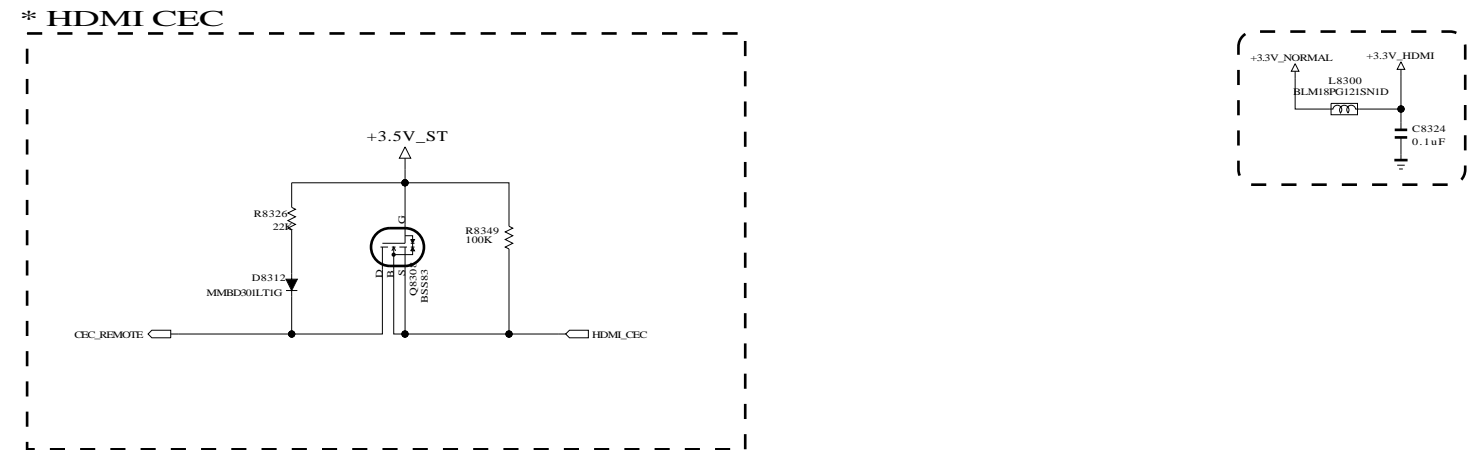
SIDE_HDMI_PORT4



EDID Pull-up



DEV DEV DEV



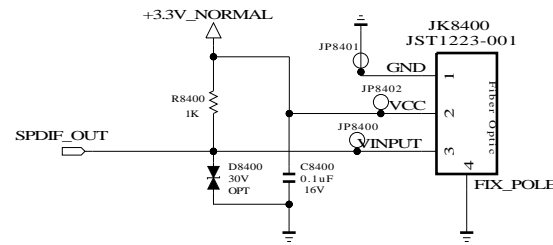
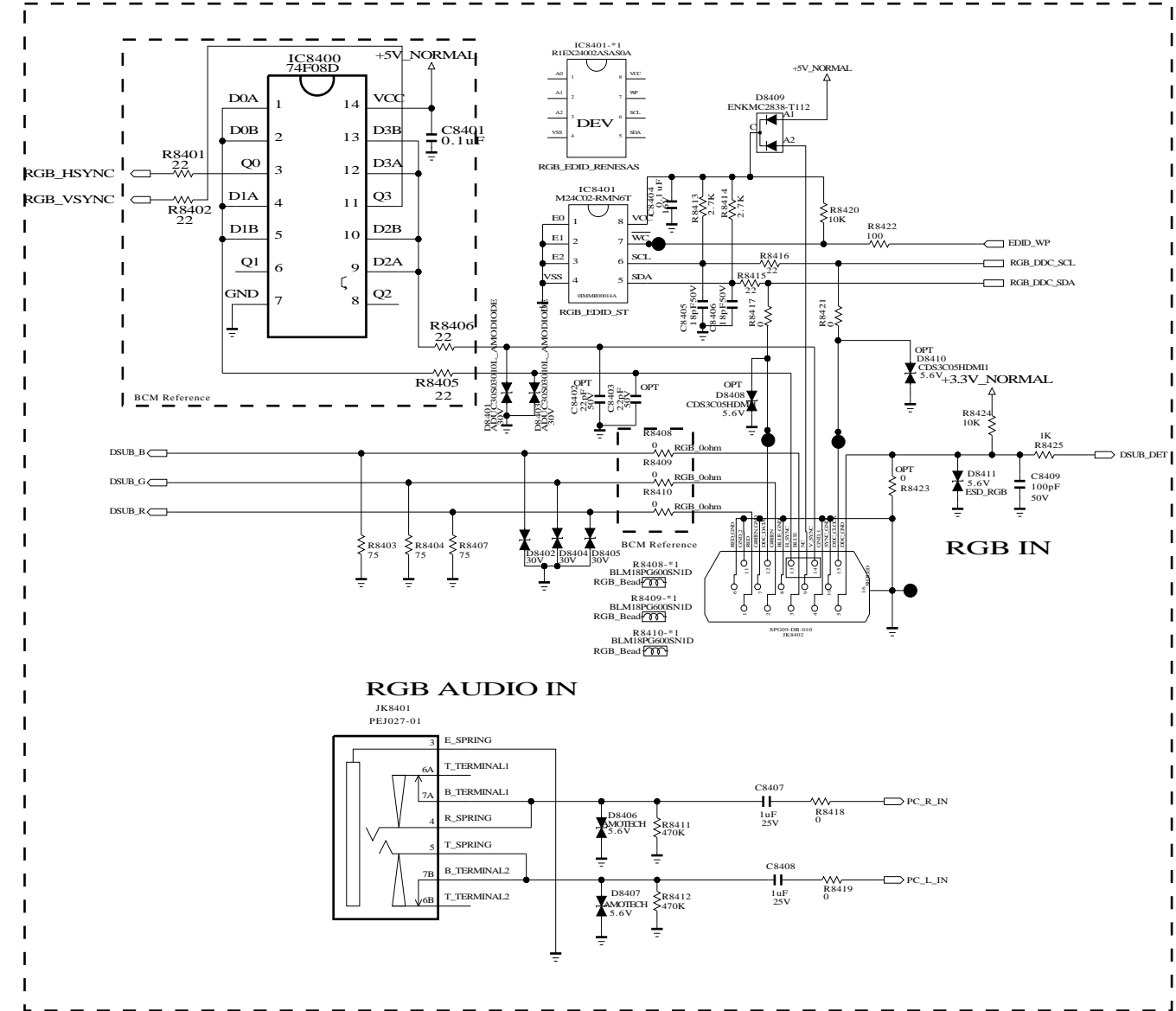
THE SYMBOL MARK OF THIS SCHEMATIC DIAGRAM INCORPORATES SPECIAL FEATURES IMPORTANT FOR PROTECTION FROM X-RADIATION. FILRE AND ELECTRICAL SHOCK HAZARDS, WHEN SERVICING IF IS ESSENTIAL THAT ONLY MANUFACTURES SPECIFIED PARTS BE USED FOR THE CRITICAL COMPONENTS IN THE SYMBOL MARK OF THE SCHEMATIC.

SECRET
LGElectronics

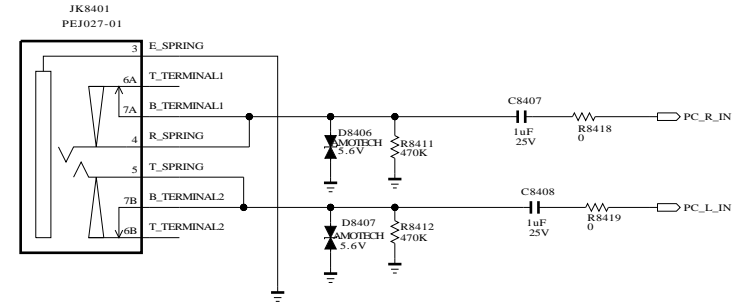


MODEL	COMMON	DATE	09/10/xx
BLOCK	HDMI	SHEET	83 / 100

RGB PC



RGB AUDIO IN



THE SYMBOL MARK OF THIS SCHEMATIC DIAGRAM INCORPORATES SPECIAL FEATURES IMPORTANT FOR PROTECTION FROM X-RADIATION. FILRE AND ELECTRICAL SHOCK HAZARDS, WHEN SERVICING IF IS ESSENTIAL THAT ONLY MANUFACTURES SPECIFIED PARTS BE USED FOR THE CRITICAL COMPONENTS IN THE SYMBOL MARK OF THE SCHEMATIC.

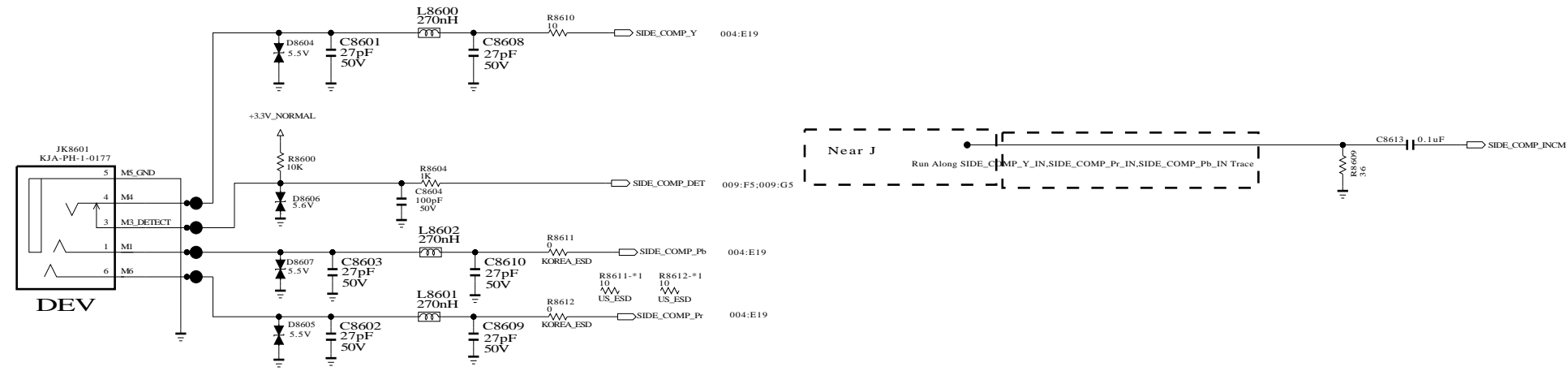
SECRET
LGElectronics



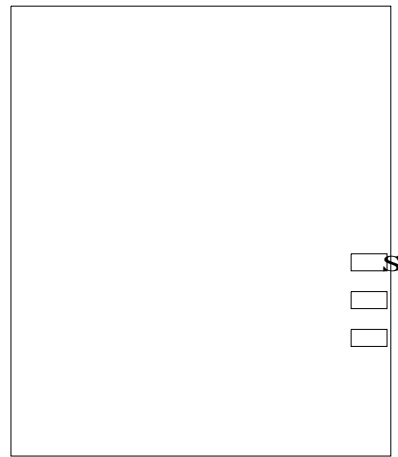
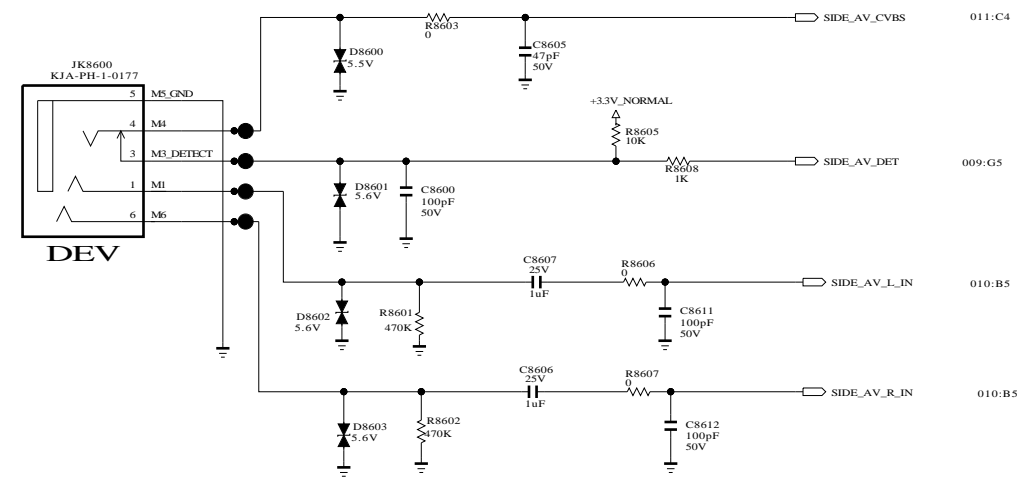
MODEL	COMMON	DATE	09/10/xx
BLOCK	RGB/SPDIF	SHEET	84 / 100

SIDE_GENDER

SIDE COMPONENT PHONE JACK



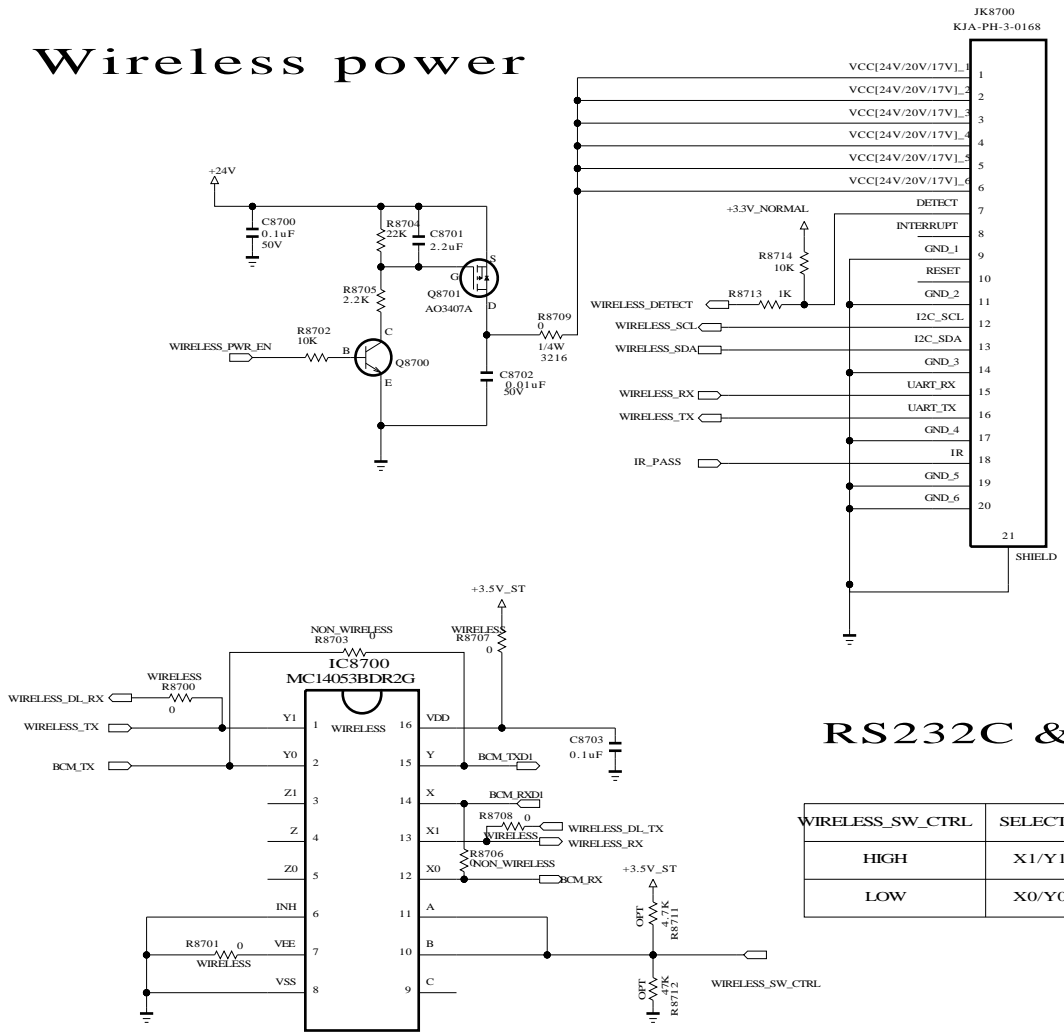
SIDE CVBS PHONE JACK



- SIDE_COMPONENT_PHONE_JACK
- SIDE_CVBS_PHONE_JACK
- SIDE_HEAD_PHONE_JACK

THE SYMBOL MARK OF THIS SCHEMATIC DIAGRAM INCORPORATES SPECIAL FEATURES IMPORTANT FOR PROTECTION FROM X-RADIATION. FILRE AND ELECTRICAL SHOCK HAZARDS, WHEN SERVICING IF IS ESSENTIAL THAT ONLY MANUFACTURES SPECIFIED PARTS BE USED FOR THE CRITICAL COMPONENTS IN THE SYMBOL MARK OF THE SCHEMATIC.

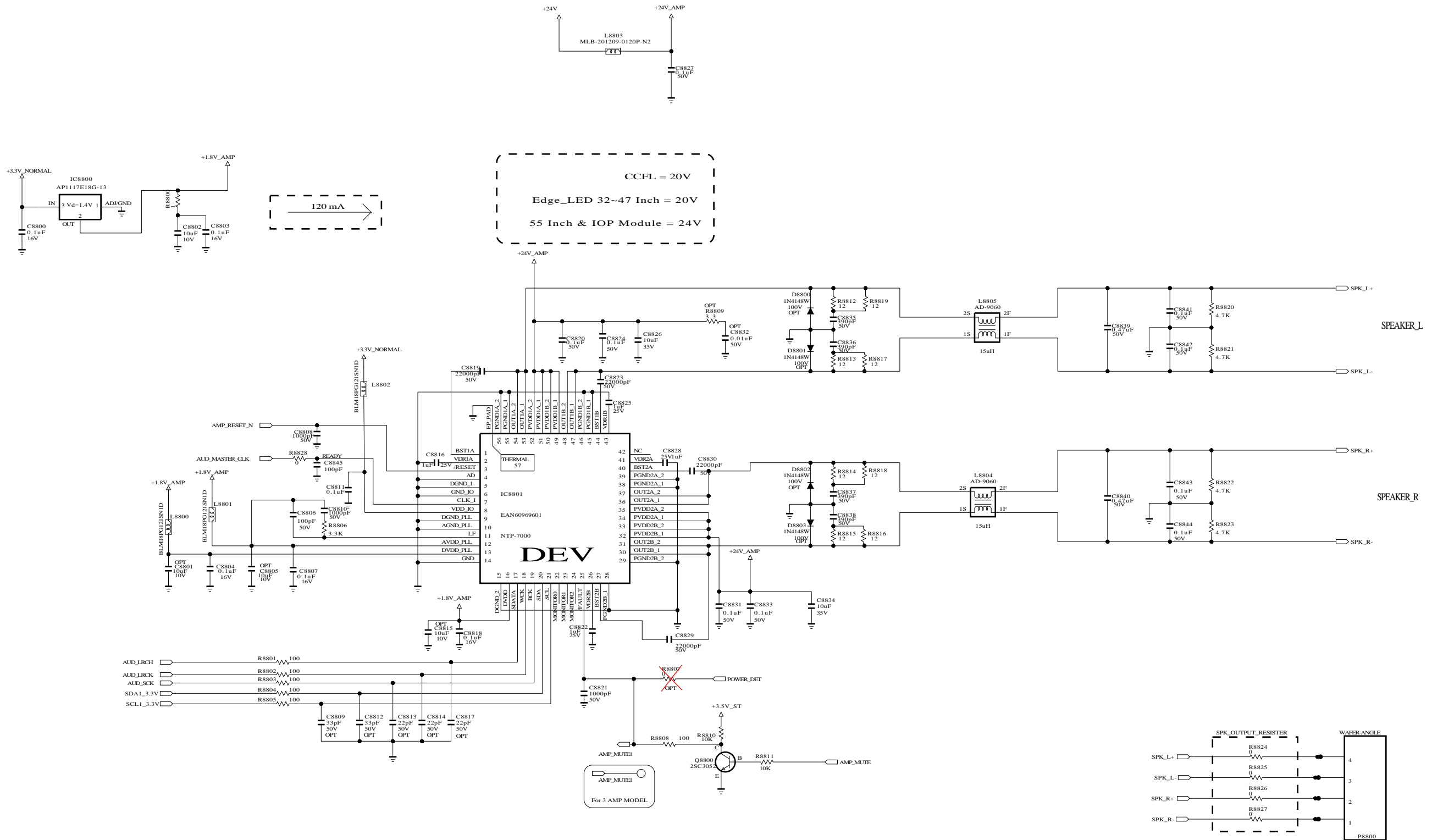
Wireless power



RS232C & Wireless

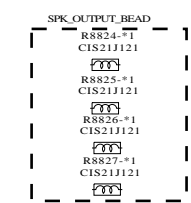
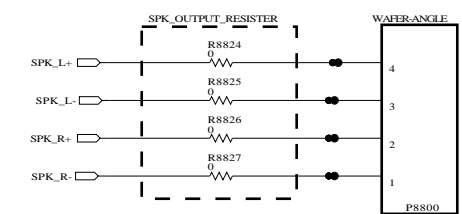
WIRELESS_SW_CTRL	SELECT PIN	STATUS
HIGH	X1/Y1/Z1	WIRELESS Dongle connect --> WIRELESS RS232
LOW	X0/Y0/Z0	WIRELESS Dongle Dis_con --> S7 RS232

THE SYMBOL MARK OF THIS SCHEMATIC DIAGRAM INCORPORATES SPECIAL FEATURES IMPORTANT FOR PROTECTION FROM X-RADIATION. FILRE AND ELECTRICAL SHOCK HAZARDS, WHEN SERVICING IF IS ESSENTIAL THAT ONLY MANUFATURES SPECIFIED PARTS BE USED FOR THE CRITICAL COMPONENTS IN THE SYMBOL MARK OF THE SCHEMATIC.



CCFL = 20V
 Edge_LED 32~47 Inch = 20V
 55 Inch & IOP Module = 24V

120 mA

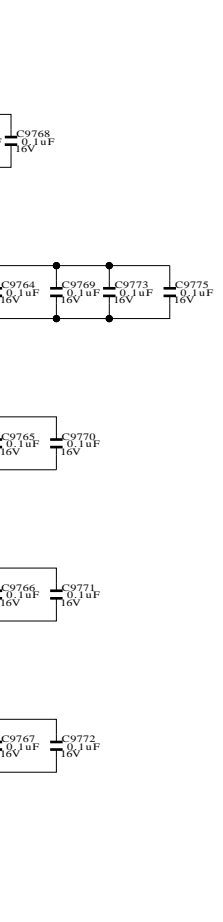
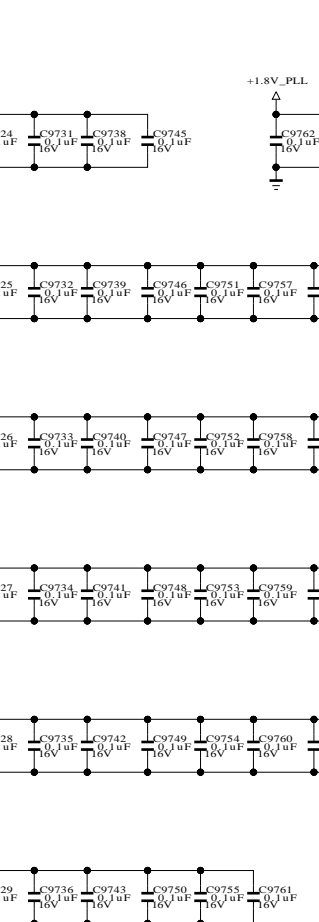
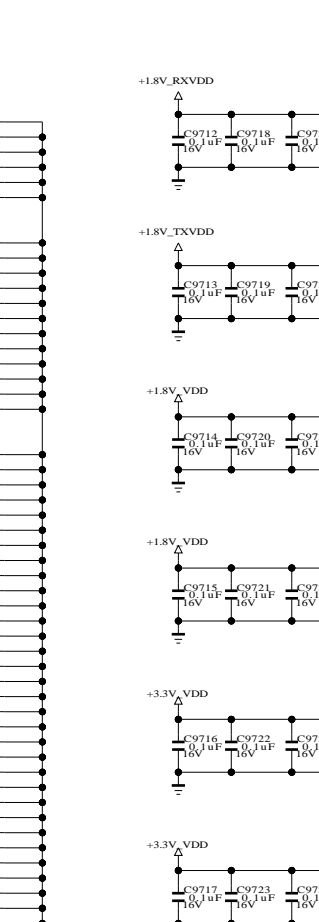
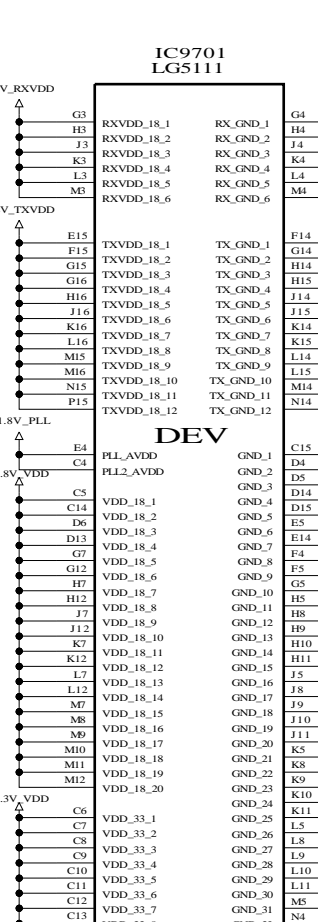
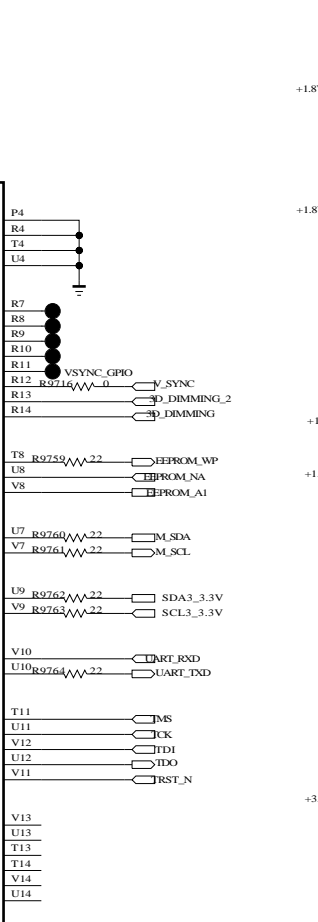
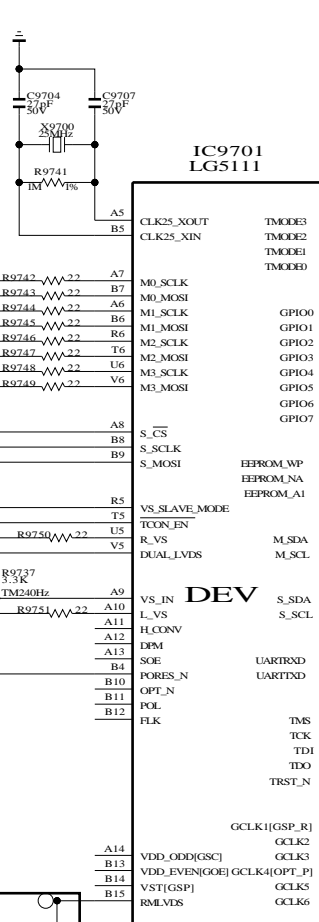
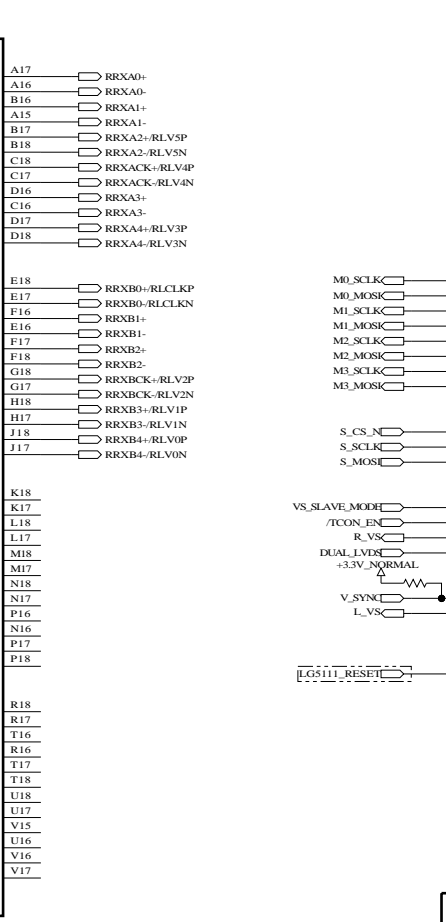
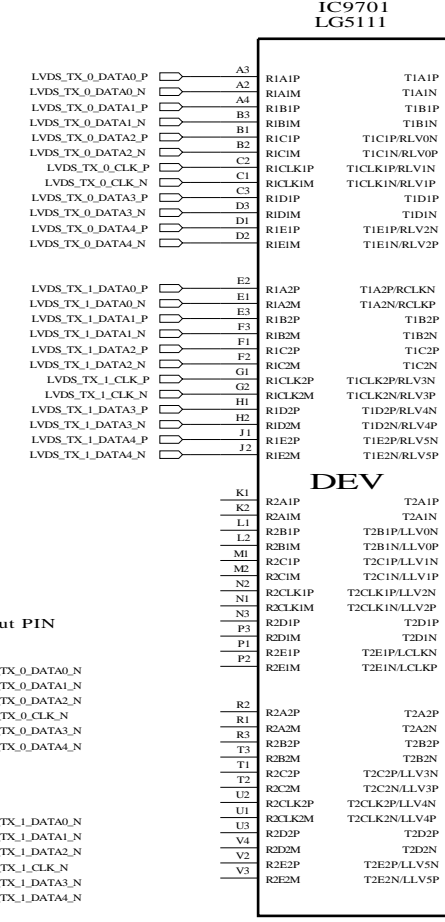


THE SYMBOL MARK OF THIS SCHEMATIC DIAGRAM INCORPORATES SPECIAL FEATURES IMPORTANT FOR PROTECTION FROM X-RADIATION. FILRE AND ELECTRICAL SHOCK HAZARDS, WHEN SERVICING IF IS ESSENTIAL THAT ONLY MANUFACTURES SPECIFIED PARTS BE USED FOR THE CRITICAL COMPONENTS IN THE SYMBOL MARK OF THE SCHEMATIC.

SECRET
 LGElectronics

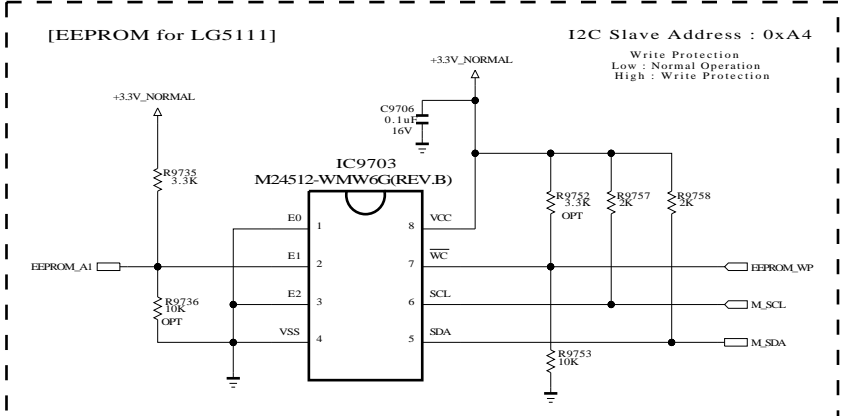
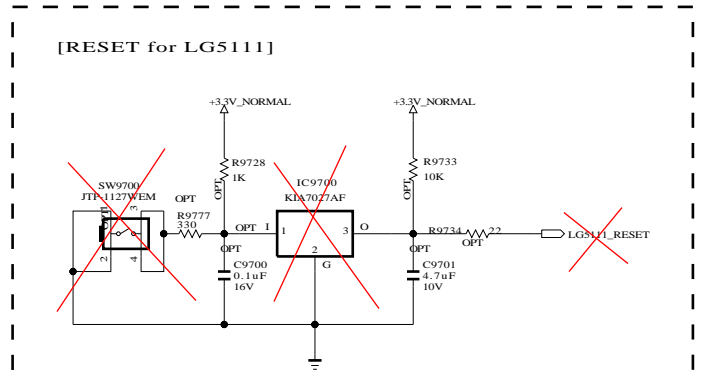
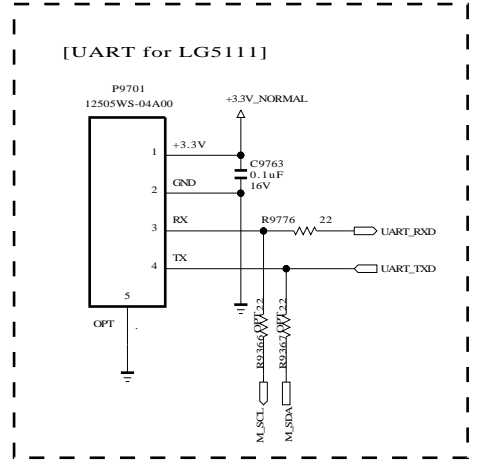
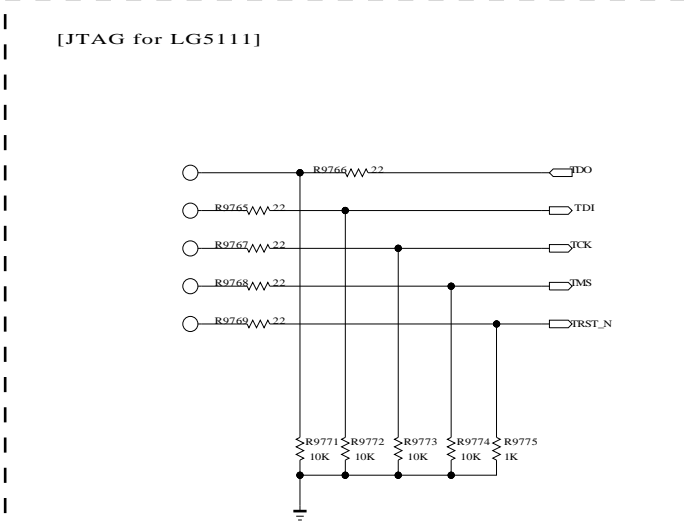
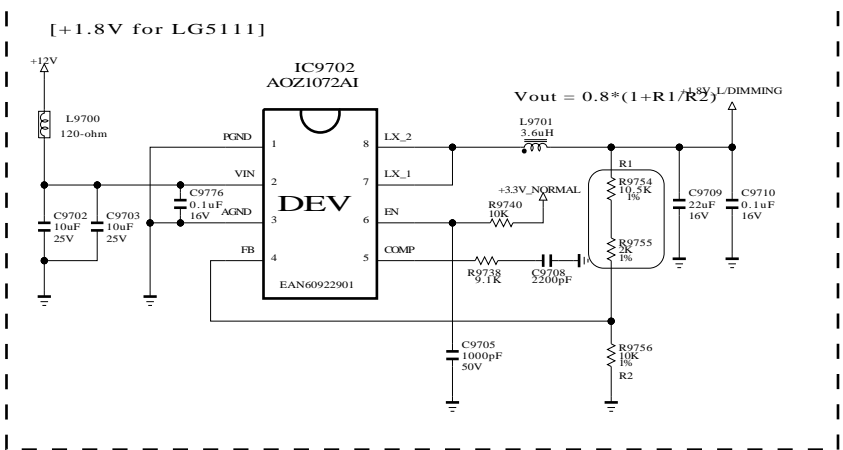


MODEL	COMMON	DATE	09/10/xx
BLOCK	NTP7000	SHEET	88 / 100



Close to LG5111 LVDS Input PIN

[Mini-LVDS Signal Strength]
 1. Adjust Mini-LVDS Tx voltage swing level (swing level can be affected by FFC cable)
 2. Add resistor and make option for each model



THE SYMBOL MARK OF THIS SCHEMATIC DIAGRAM INCORPORATES SPECIAL FEATURES IMPORTANT FOR PROTECTION FROM X-RADIATION. FILRE AND ELECTRICAL SHOCK HAZARDS, WHEN SERVICING IF IS ESSENTIAL THAT ONLY MANUFACTURES SPECIFIED PARTS BE USED FOR THE CRITICAL COMPONENTS IN THE SYMBOL MARK OF THE SCHEMATIC.

SECRET
 LGElectronics

LG ELECTRONICS

MODEL	COMMON_LD_400/480HZ	DATE	09/10/13
BLOCK	LG5111 (L.D.) from BCN	SHEET	97

