



LG

North/Latin America
Europe/Africa
Asia/Oceania

<http://aic.lgservice.com>
<http://eic.lgservice.com>
<http://biz.lgservice.com>

PLASMA TV

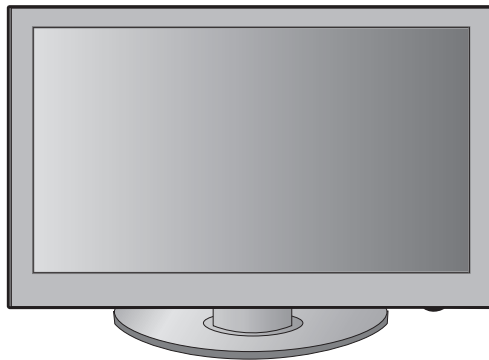
SCHEMATICS and EXPLODED VIEW

CHASSIS : PU92C

MODEL : 60PS60 60PS60-UA

CAUTION

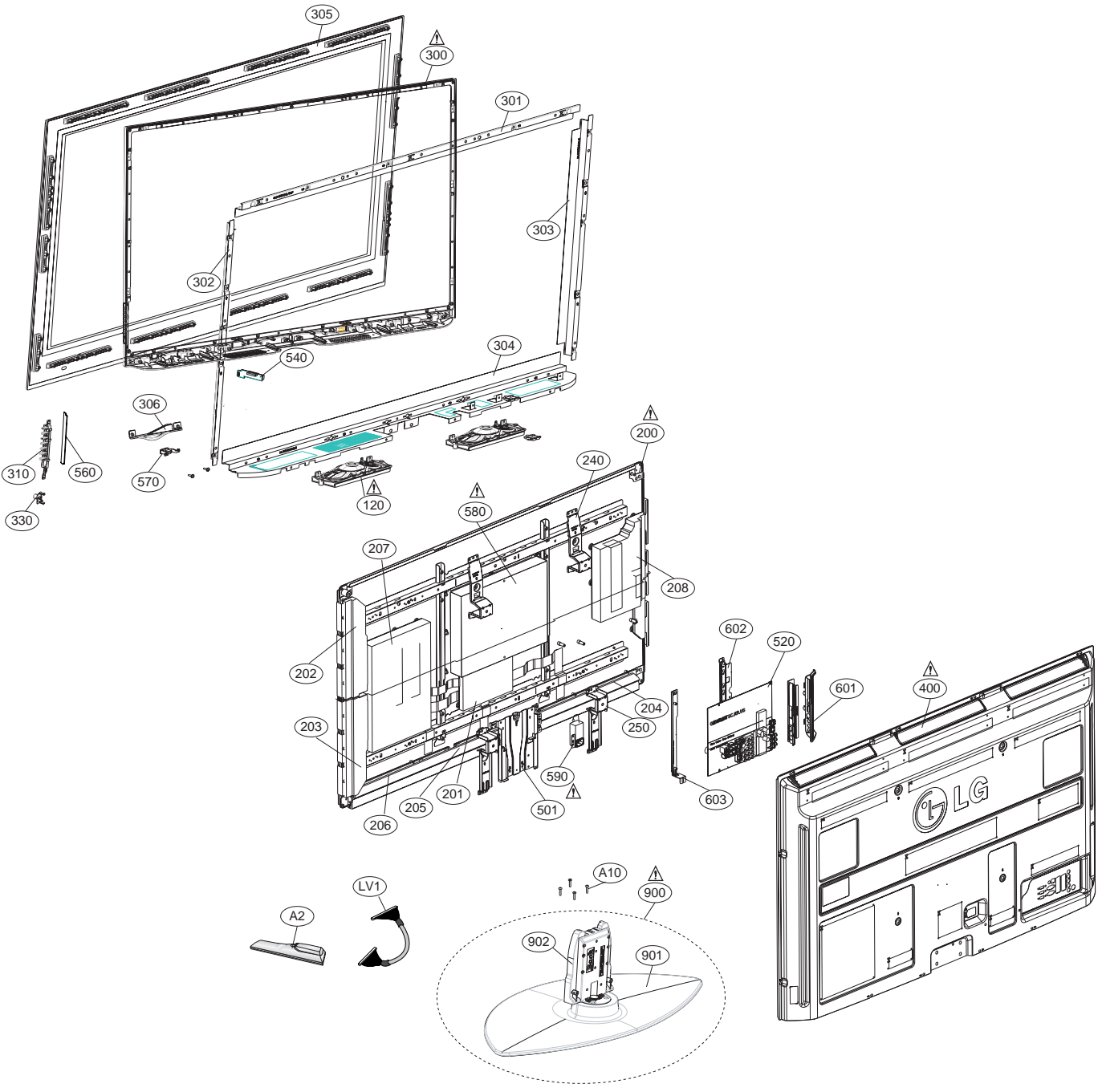
BEFORE SERVICING THE CHASSIS,
READ THE SAFETY PRECAUTIONS IN THIS MANUAL.



EXPLODED VIEW

IMPORTANT SAFETY NOTICE

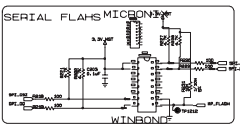
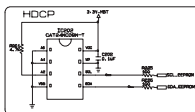
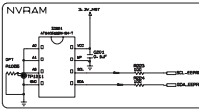
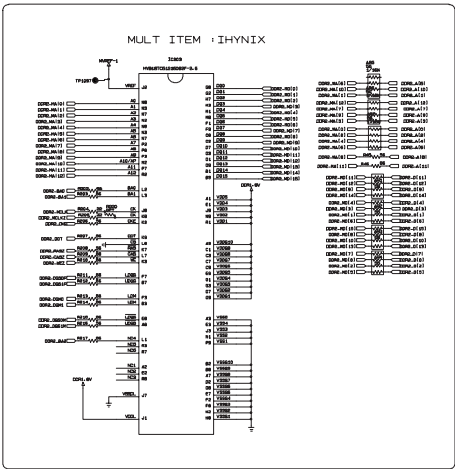
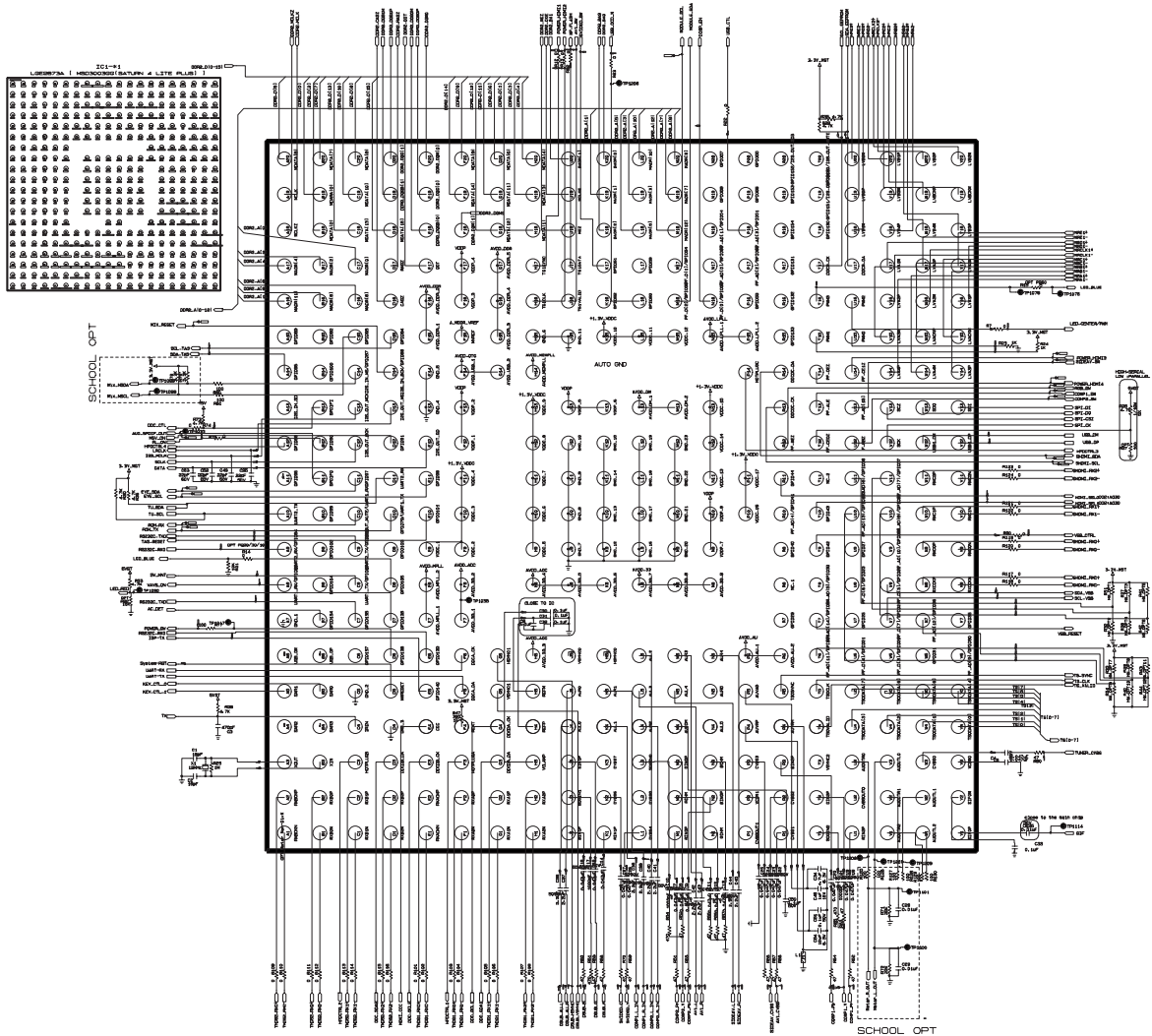
Many electrical and mechanical parts in this chassis have special safety-related characteristics. These parts are identified by Δ in the Schematic Diagram and EXPLODED VIEW. It is essential that these special safety parts should be replaced with the same components as recommended in this manual to prevent X-RADIATION, Shock, Fire, or other Hazards. Do not modify the original design without permission of manufacturer.



60PS60 EXPLODED VIEW PARTS LIST

ITEM	PART No	DESCRIPTION
120	EAB42609902	G1640502 ND 10W 8OHM 82DB 100HZ 150X40
200	EAJ39979309	PDP60H30001.ASLGB FULLHD 60INCH 1920X1080 16/9
200	EAJ39979316	PDP60H30111.ASLGB FULLHD 60INCH 1920X1080 16/9
201	EBR55609201	Control (Logic) board
202	EBR54657501	Y-Drive (Upper)
203	EBR54658201	Y-Drive (Lower)
204	EBR51552101	X-Board (Right)
205	EBR51552301	X-Board (Center)
206	EBR51552201	X-Board (Left)
207	EBR55492901	Y-SUS Board
208	EBR55492601	Z-SUS Board
240	MJH56773002	Supporter Assembly Vertical Top
250	MJH56773102	Supporter Assembly Vertical Bottom
300	ABJ67562719	Cabinet Assembly Ft Frame
301	AJJ67565602	Supporter Filter Top Assembly
302	AJJ67565802	Supporter Filter Left Side Assembly
303	AJJ67565902	Supporter Filter Right Side Assembly
304	AJJ67565702	Supporter Filter Bottom Assembly
305	MDJ57888008	Front Glass Filter
306	ABA67565002	Bracket Assy.
310	MBG56880202	7 Key Button
330	MBG56880301	Power Button Assembly
400	ACQ67566309	Back Cover
501	AJJ72910003	Stand Supporter
520	EBR58969202	Main Board Mstar PU92C
520	EBR58969220	Main Board Mstar PU92C
540	EBT60704501	LED Assembly
560	EBT60692805	Control Key Mold
580	EAY59547001	Power Supply Board 489W
580	EAY59547002	Power Supply Board
580	EAY60705001	Power Supply Board
570	EBR60009901	Intelligent and IR Sensor board (LED & P/SW)
571	MBG40265501	Power Button Assembly
590	EAM60352504	AC Line Filter
601	ABA66370518	Bracket (Side AV)
602	MGJ56878807	Bracket (Main Right Side)
603	MGJ56880404	Bracket (Main Left Side)
900	AAN67566409	Stand
901	AAN33240128	Stand Swivel
902	MJH56773502	Stand Vert Support
A10	MGJ41163824	Stand Screw (D 4.mm L 14.mm)
A2	MKJ42519627	Remote Control Transmitter
LV1	EAD60679335	LVDS Cable

IC1
 LG2872A [MSD3003GG (SATURN 4 LITE)]

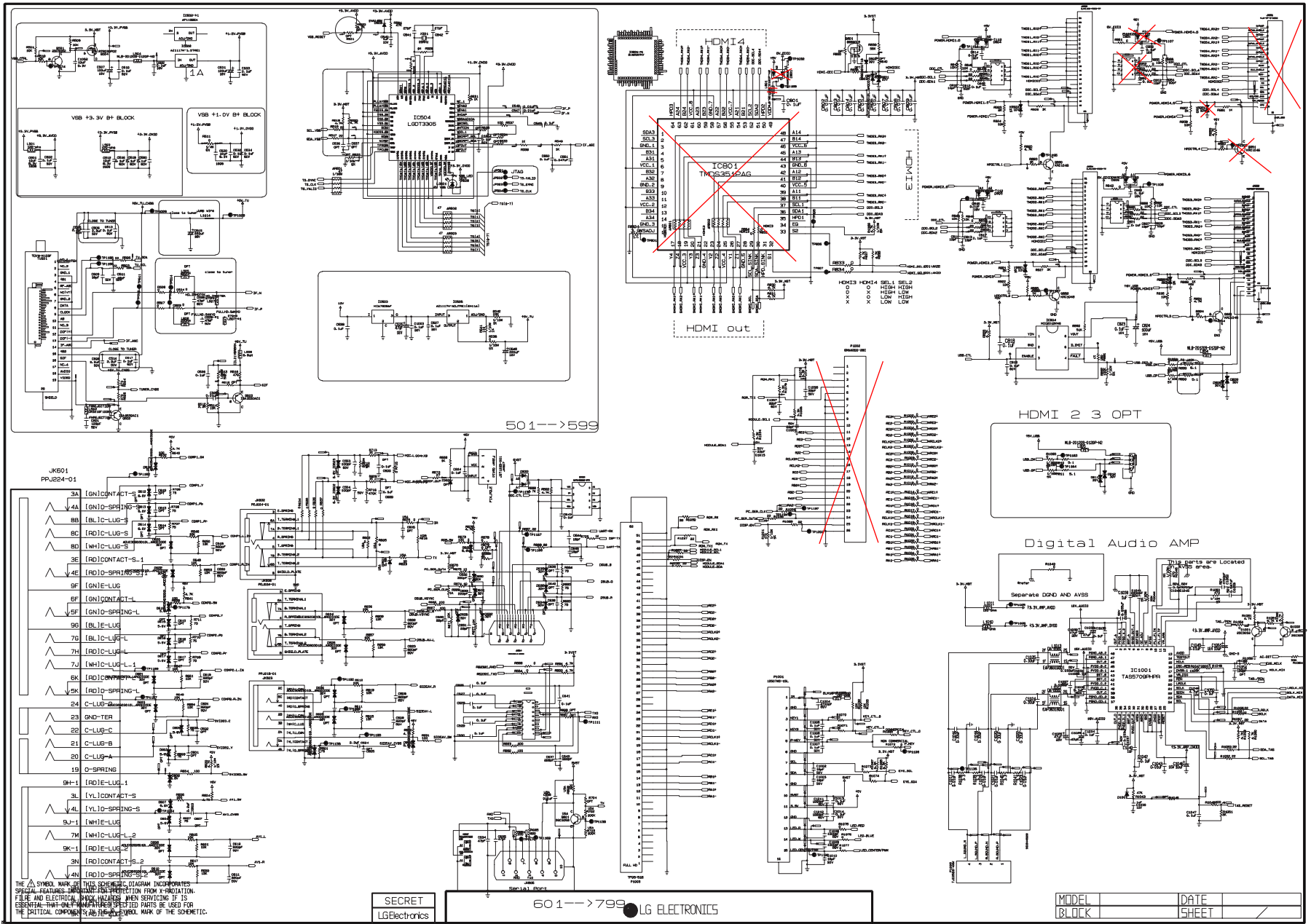


THE Δ SYMBOL MARK OF THIS SCHEMATIC DIAGRAM INCORPORATES SPECIAL FEATURES IMPORTANT FOR PROTECTION FROM γ -RADIATION. FULFILL AND ELECTRICAL SHOCK HAZARDS: WHEN SERVICING IT IS ESSENTIAL THAT ONLY MANUFACTURERS SPECIFIED PARTS BE USED FOR THE CRITICAL COMPONENTS IN THE Δ SYMBOL MARK OF THE SCHEMATIC.

SECRET
 LGBElectronics



MODEL	DATE
BLOCK	SHEET



501-->599

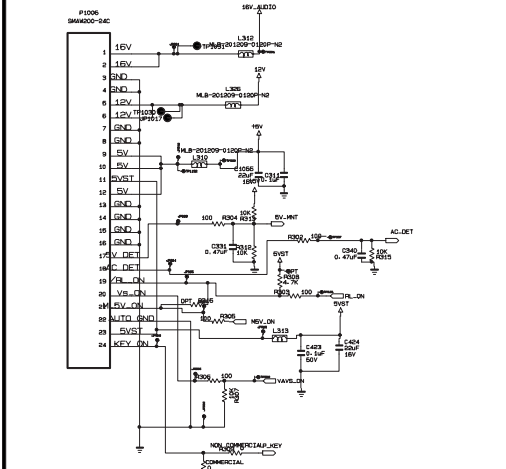
601-->799

THE Δ SYMBOL MARK OF THIS SCHEMATIC DIAGRAM INCORPORATES SPECIAL FEATURES. INFORMATION PROTECTION FROM X-RADIATION. FILE NO. ELECTRICAL INDEX NUMBER. WHEN SERVING IT IS ESSENTIAL THAT ONLY THE SPECIFIED PARTS BE USED FOR THE CRITICAL COMPONENTS. Δ MARK OF THE SCHEMATIC.

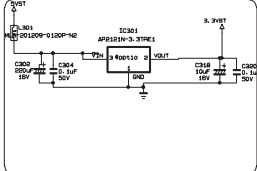
SECRET
 LG Electronics

LG ELECTRONICS

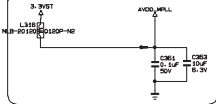
MODEL	DATE
BLOCK	SHEET



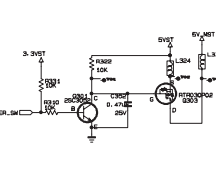
5VST TO 3.3VST



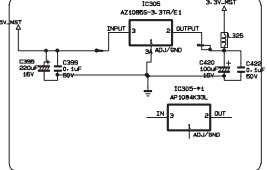
3.3VST TO AVDD_MPLL



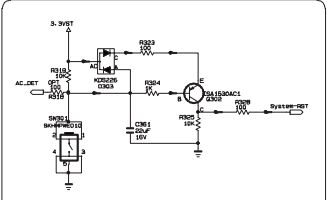
5VST TO 5V_MST



5V_MST TO 3.3V_MST

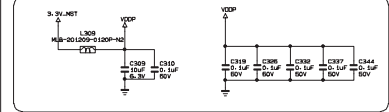


Reset

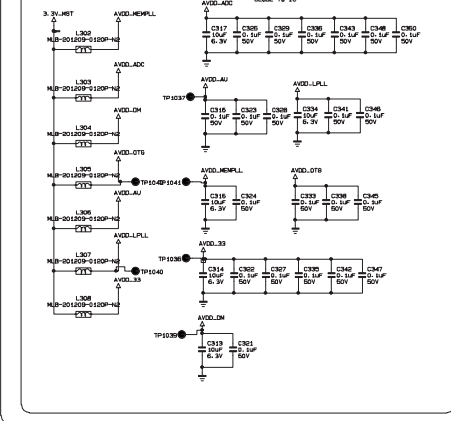


CLOSE TO IC

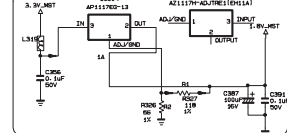
3.3V_MST TO VDDP 3.3V



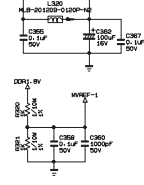
3.3V_MST TO AVDD 3.3V



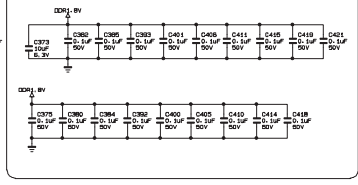
3.3V_MST TO 1.8V_MST



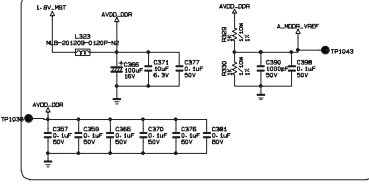
1.8V_MST



CLOSE TO IC

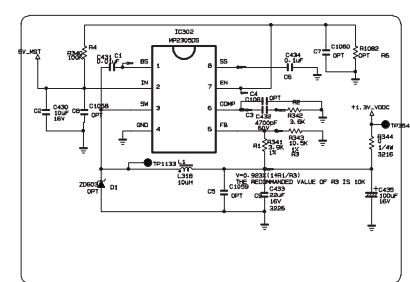


DDR2 Power

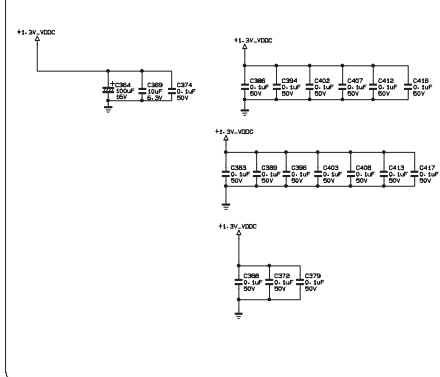


CLOSE TO IC

5V_MST TO +1.3V



+1.3V TO VDDC



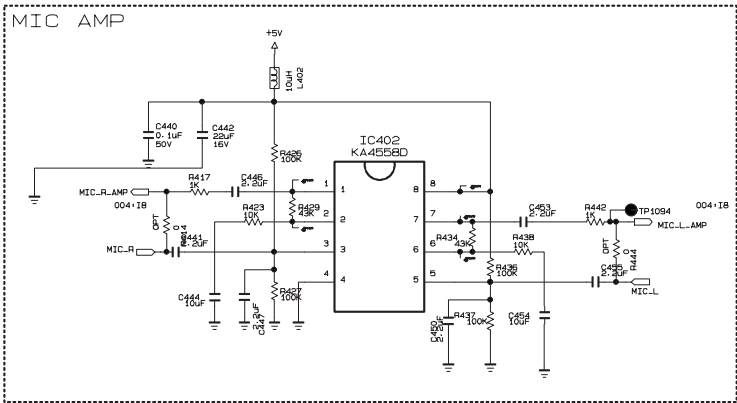
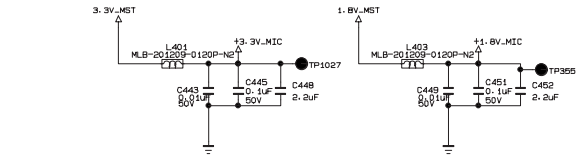
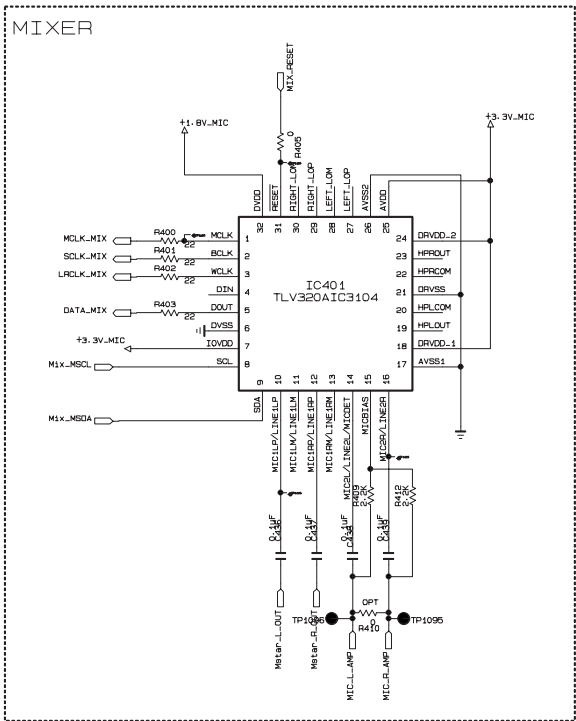
THE Δ SYMBOL MARK OF THIS SCHEMATIC DIAGRAM INCORPORATES SPECIAL FEATURES IMPORTANT FOR PROTECTION FROM X-RADIATION. FILTRATION AND ELECTRICAL SHOCK HAZARDS. WHEN SERVICING TP IS ESSENTIAL THAT ONLY MANUFACTURER SPECIFIED PARTS BE USED FOR THE CRITICAL COMPONENTS IN THE Δ SYMBOL MARK OF THE SCHEMATIC.

SECRET
LG Electronics

LG ELECTRONICS

MODEL
BLOCK

DATE
SHEET



THE Δ SYMBOL MARK OF THIS SCHEMATIC DIAGRAM INCORPORATES SPECIAL FEATURES IMPORTANT FOR PROTECTION FROM X-RADIATION, FILRE AND ELECTRICAL SHOCK HAZARDS. WHEN SERVICING IF IS ESSENTIAL THAT ONLY MANUFACTURES SPECIFIED PARTS BE USED FOR THE CRITICAL COMPONENTS IN THE Δ SYMBOL MARK OF THE SCHEMATIC.

SECRET
 LGElectronics



MODEL		DATE	
BLOCK		SHEET	/