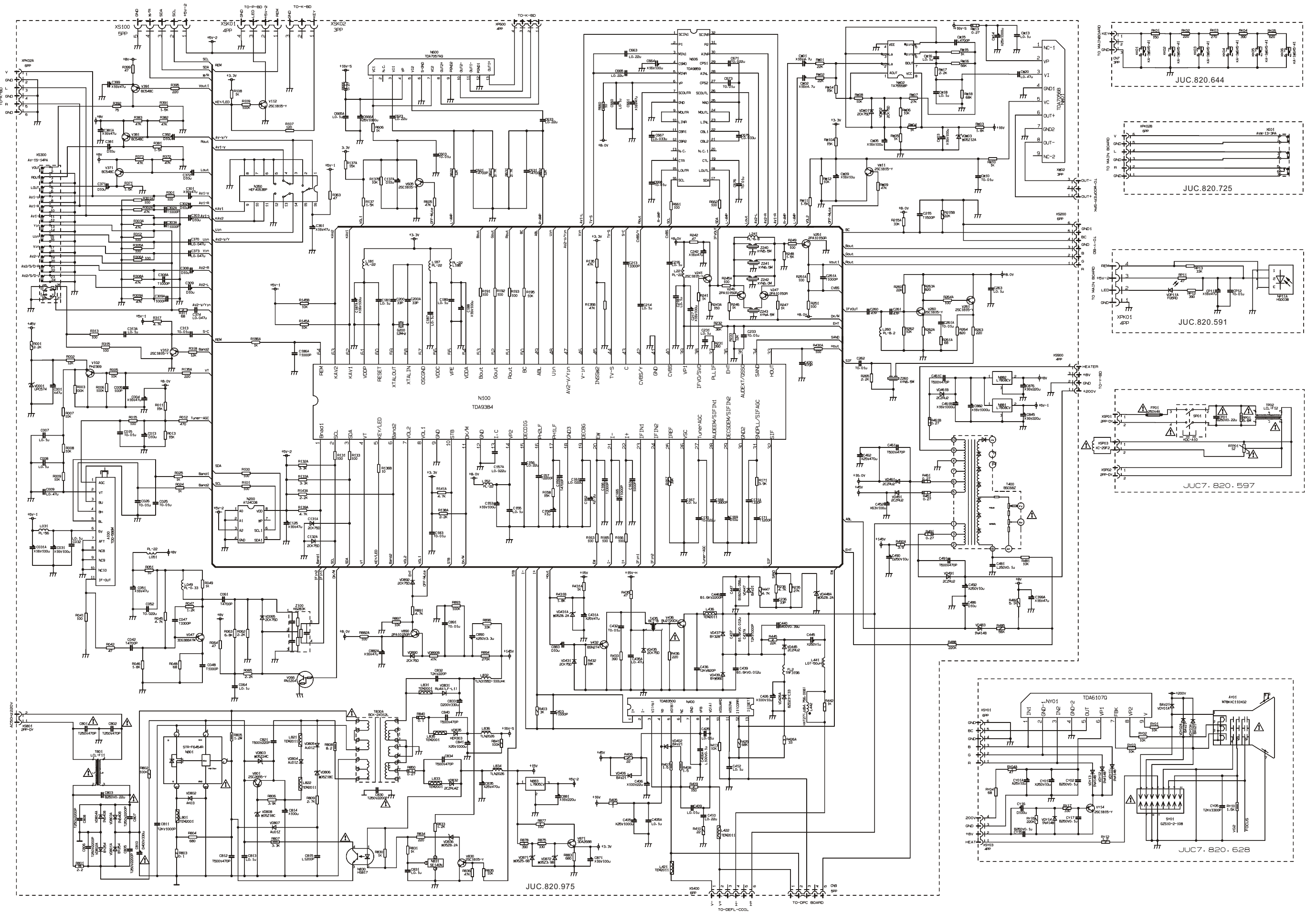


CIRCUIT DIAGRAM



Circuit Diagram for CRT RGB PCB of 25F83/PF25F83

