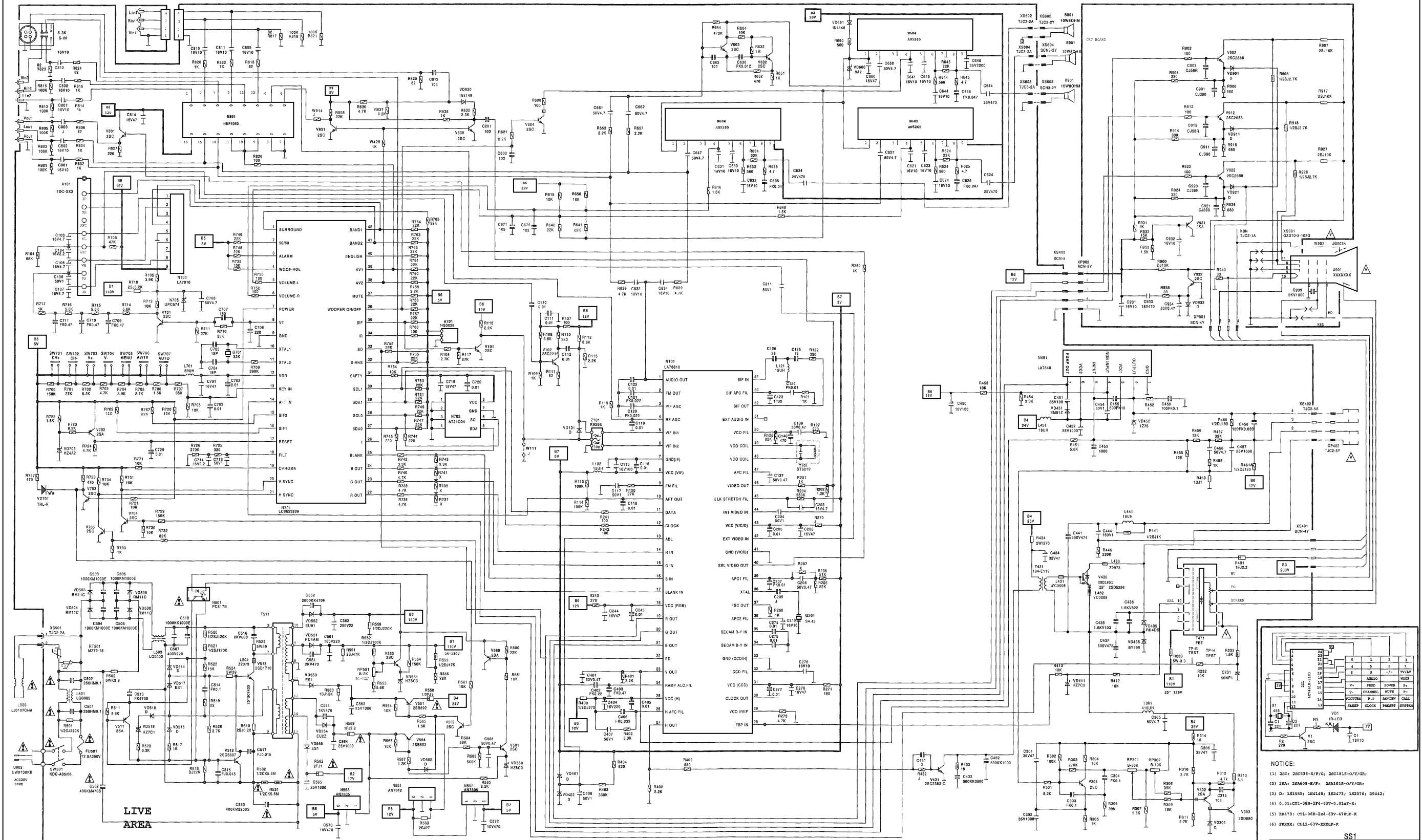


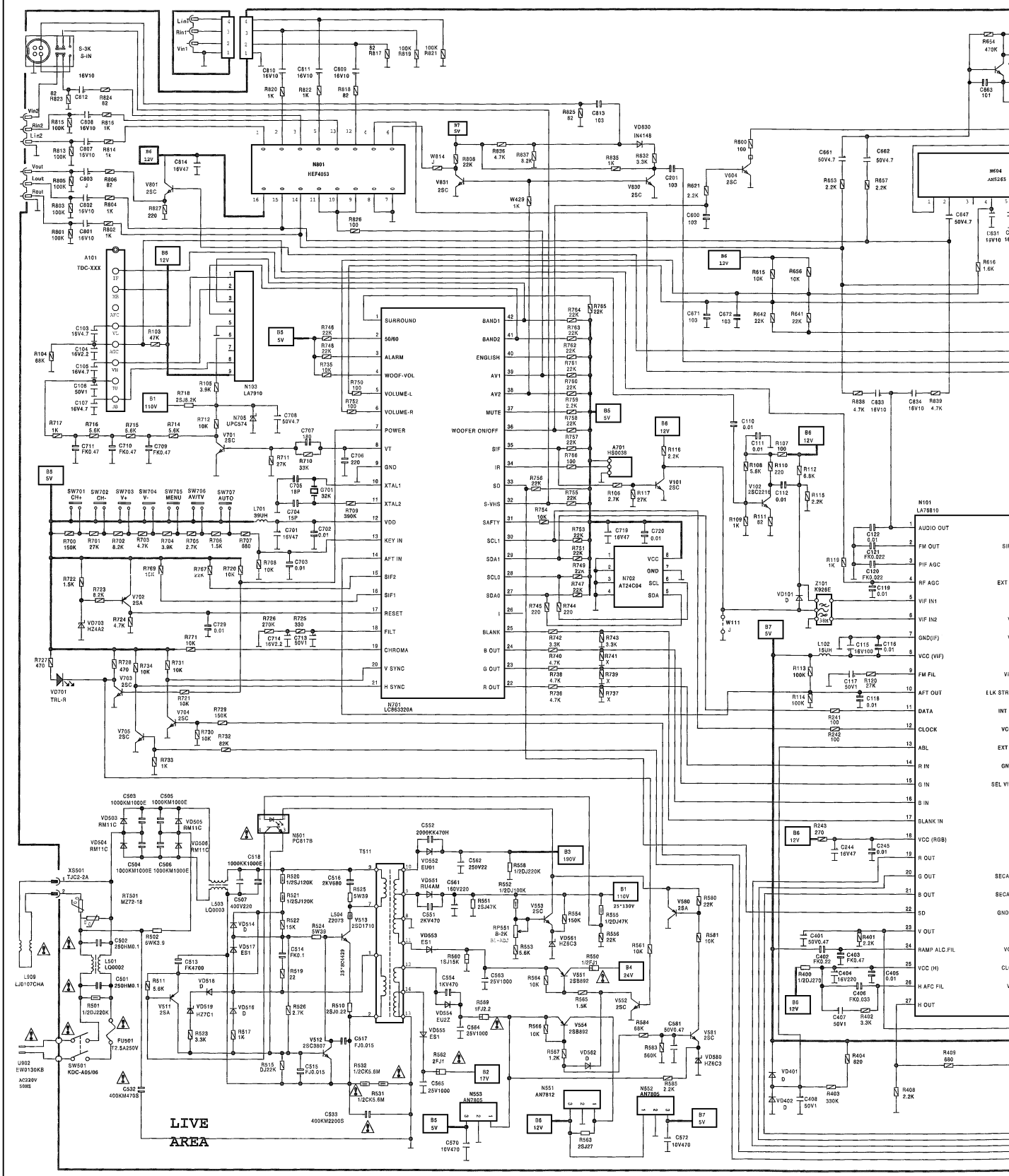
COLOUR TV SCHEMATIC DIAGRAM



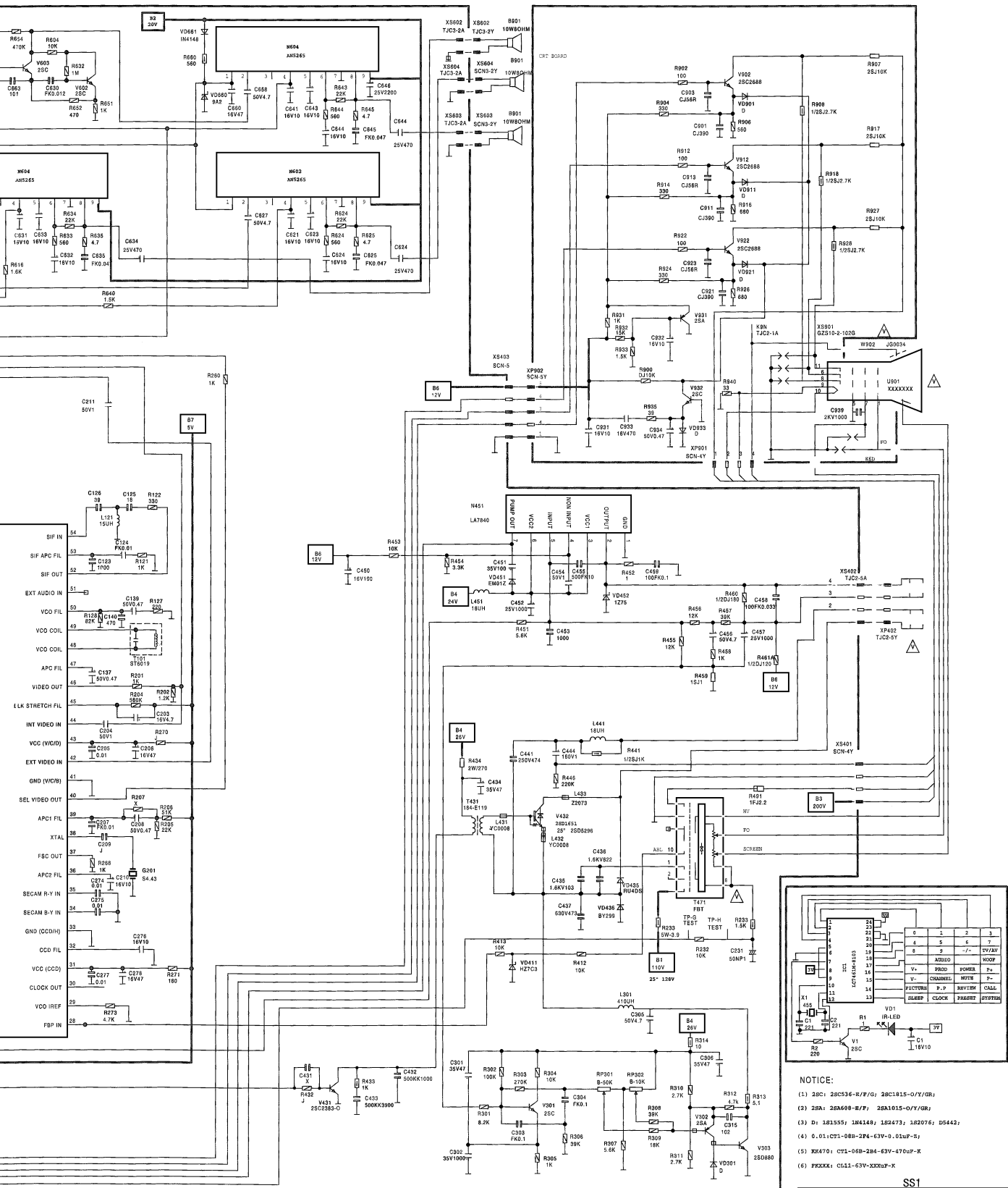
NOTICE:

- (1) 20C1: 20C536-B/F/G; 20C1815-D/T/GR;
- (2) 20A1: 20A608-B/F; 20A1015-D/T/GR;
- (3) D: 182535; 1M4148; 182473; 182076; D5442;
- (4) 0.01C151-08B-2P4-63V-0.01uF-X
- (5) 8K470: C71-06B-2P4-63V-470uF-X
- (6) FPK00X: C611-63V-3300uF-X

NOTE: WITHOUT NOTIFICATION FOR ANY SPECIFICATION CHANGE!



SCHEMATIC DIAGRAM



IC1: SC-16508-103

1	21	0	5	2	3
2	22	4	5	-	7
3	23	8	5	6	7
4	24	8	5	-	7
5	25	8	5	-	7
6	26	8	5	-	7
7	27	8	5	-	7
8	28	8	5	-	7
9	29	8	5	-	7
10	30	8	5	-	7
11	31	8	5	-	7
12	32	8	5	-	7
13	33	8	5	-	7

Pinout labels: 0: ADJUST, 1: TV/AV, 2: POWER, 3: CHANNEL, 4: P-P, 5: SERVICE CALL, 6: SLEEP, 7: CLOCK, 8: POWER, 9: STOP.

NOTICE:

- (1) 28C: 28C334-R/P/G; 28C1815-D/Y/G/R;
- (2) 28A: 28A608-R/P; 28A1015-O/Y/R/G;
- (3) D: 181555; 18A148; 18A473; 18Z076; D5442;
- (4) 0.01C: 08B-2P4-63V-0.01uP-5;
- (5) KX470: C71-06B-284-63V-470uP-X
- (6) FXXXX: C11-63V-300uP-X

SS1

NOTE: WITHOUT NOTIFICATION FOR ANY SPECIFICATION CHANGE!