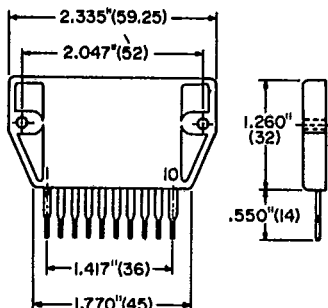


### Features

- Thick film hybrid module
- Darlington power pack
- Dual power supply
- Output stage for AF high power amp



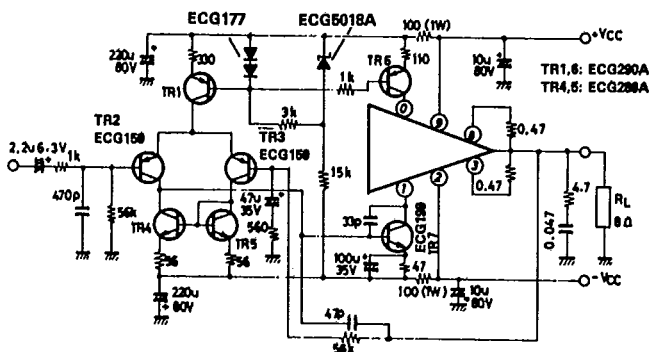
### Absolute Maximum Ratings

Characteristic	Symbol	Rating	Unit
Supply Voltage	$V_{CC}$	$\pm 52.5$	V
Collector Current	$I_C$	7	A
Junction Temperature	$T_J$	150	$^{\circ}C$
Storage Temperature	$T_{stg}$	-30 to +105	$^{\circ}C$
Thermal Resistance	$\theta$	1.6	$^{\circ}C/W$

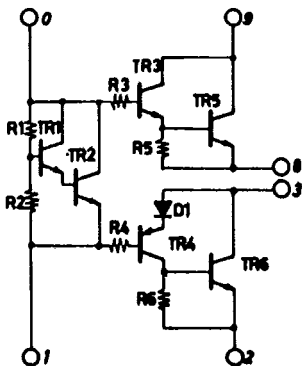
### Operational Characteristics ( $T_A = 25^{\circ}C$ , $V_{CC} = \pm 38$ V, $R_L = 8 \Omega$ , $R_g = 600 \Omega$ , $V_g = 40$ dB)

Characteristic	Symbol	Test Condition	Min	Typ	Max	Unit
Quiescent Current	$I_{CCO}$	$V_{CC} = \pm 46$ V		40	80	mA
Output Power	$P_O$	THD = 0.1% $f = 20$ to $20$ kHz	55			W
Total Harmonic Distortion	THD-1 THD-2	$P_O = 1$ to $55$ W $f = 20$ to $20$ kHz $P_O = 1$ W, $f = 1$ kHz		0.02	0.1	%

### Application



## Equivalent Circuit



## Typical Characteristics

