



LA2615, 2615M

Analog Surround IC Featuring the AViSSTM 3D Surround Algorithm*

*: AViSS is a trademark of SANYO Electric Co., Ltd.

Overview

The LA2615 and LA2615M are sound field playback processing ICs for use in audio equipment, TVs, and PCs. These ICs allow equipment to easily reproduce a spatial realistic sound field from a stereo signal from a music, video, or other audio source.

Features

- Supports a wide operating supply voltage range, and can be used in a wide range of applications.
- The added surround signal level can be adjusted.
- Low-noise low-distortion bypass mode
- Provides a natural feeling of spaciousness without degrading the tonal coloration of the source.
- Clear vocal positioning without any apparent loss of center to the sound
- Miniature packages: 16-pin DIP (LA2615) and 16-pin MFP (LA2615M)

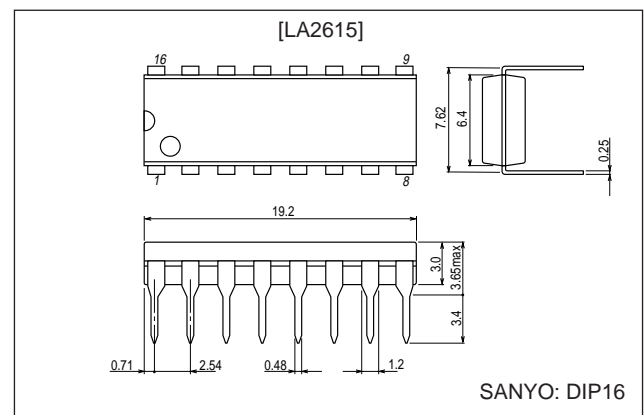
Functions

- Surround signal processing
- Variable surround effect
- Surround/bypass switching
- LED drive circuit

Package Dimensions

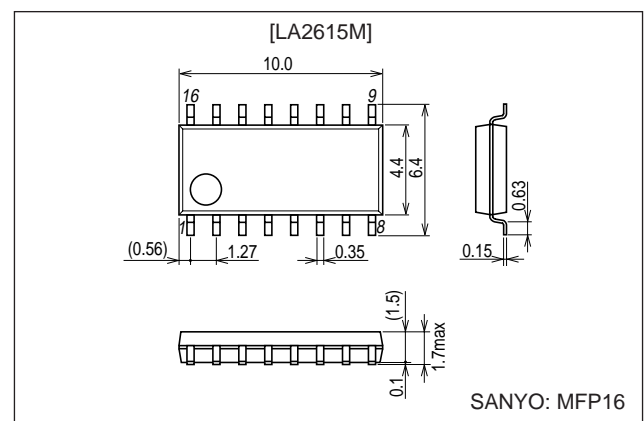
unit: mm

3008B-DIP16



unit: mm

3035B-MFP16



■ Any and all SANYO products described or contained herein do not have specifications that can handle applications that require extremely high levels of reliability, such as life-support systems, aircraft's control systems, or other applications whose failure can be reasonably expected to result in serious physical and/or material damage. Consult with your SANYO representative nearest you before using any SANYO products described or contained herein in such applications.

■ SANYO assumes no responsibility for equipment failures that result from using products at values that exceed, even momentarily, rated values (such as maximum ratings, operating condition ranges, or other parameters) listed in products specifications of any and all SANYO products described or contained herein.

SANYO Electric Co.,Ltd. Semiconductor Company

TOKYO OFFICE Tokyo Bldg., 1-10, 1 Chome, Ueno, Taito-ku, TOKYO, 110-8534 JAPAN

Specifications

Maximum Ratings at $T_a = 25^\circ\text{C}$

Parameter	Symbol	Conditions	Ratings	Unit
Maximum supply voltage	V_{CC} max		13	V
Allowable power dissipation	P_d max		250	mW
Operating temperature	T_{opr}		-25 to +70	$^\circ\text{C}$
Storage temperature	T_{stg}		-40 to +125	$^\circ\text{C}$

Operating Conditions at $T_a = 25^\circ\text{C}$

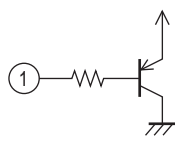
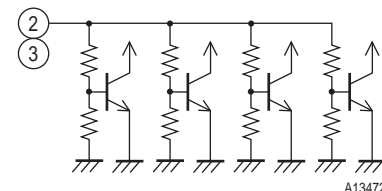
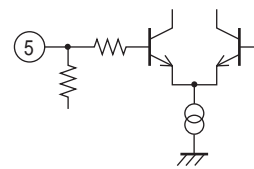
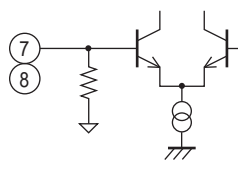
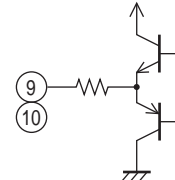
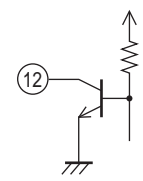
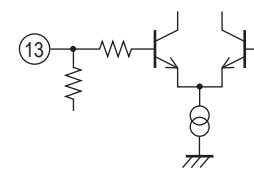
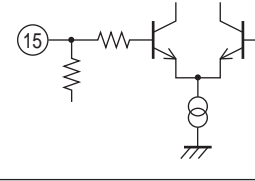
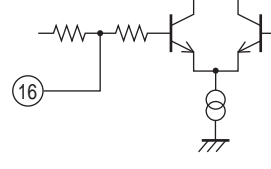
Parameter	Symbol	Conditions	Ratings	Unit
Recommended supply voltage	V_{CC}		9.0	V

Electrical Characteristics at $T_a = 25^\circ\text{C}$, $V_{CC} = 9\text{ V}$, $V_I = 300\text{ mVrms}$ (left and right inputs), $f = 1\text{ kHz}$

Parameter	Symbol	Conditions	Ratings			Unit
			min	typ	max	
Quiescent current	$I_{CC T}$	No signal, surround off		4	8	mA
Voltage gain	V_{GT}	Surround off	-2	0	+2	dB
	V_{GS}	Surround on	-2	0	+2	dB
Maximum output voltage	$V_{Omax T}$	THD = 3%, surround off	1	2.5		Vrms
	$V_{Omax S}$	THD = 3%, surround on	1	2.5		Vrms
Total harmonic distortion	THD T	Surround off		0.01	0.03	%
	THD S	Surround on		0.2	0.5	%
Crosstalk	CT T	Surround off	80	85		dB
Output noise voltage	$V_{NO T}$	Surround off		-100	-90	dB
	$V_{NO S}$	Surround off		-90	-80	dB
LED current	I_{LED}			6	10	mA

LA2615, 2615M

Pin Functions

Pin No.	Pin	Pin voltage	Pin function	Equivalent circuit
1	CONT1	0 V, 5 V	Surround on/off control	 <p style="text-align: right;">A13471</p>
2 3	CONT2 CONT3	0 V, 5 V	Surround effect selection	 <p style="text-align: right;">A13472</p>
5	HPEC	$1/2 V_{CC}$	High-pass filter capacitor connection	 <p style="text-align: right;">A13473</p>
7 8	L-IN R-IN	$1/2 V_{CC}$	Input	 <p style="text-align: right;">A13474</p>
9 10	R-OUT L-OUT	$1/2 V_{CC}$	Output	 <p style="text-align: right;">A13475</p>
12	LED	V_{CC}	LED connection	 <p style="text-align: right;">A13476</p>
13	LPFC	$1/2 V_{CC}$	Low-pass filter capacitor connection	 <p style="text-align: right;">A13477</p>
15	GUR	$1/2 V_{CC}$	Surround effect maximum value setting	 <p style="text-align: right;">A13478</p>
16	GDR	$1/2 V_{CC}$	Surround effect maximum value setting	 <p style="text-align: right;">A13479</p>

Surround Effect

The maximum value of the surround effect is set with pins 15 and 16.

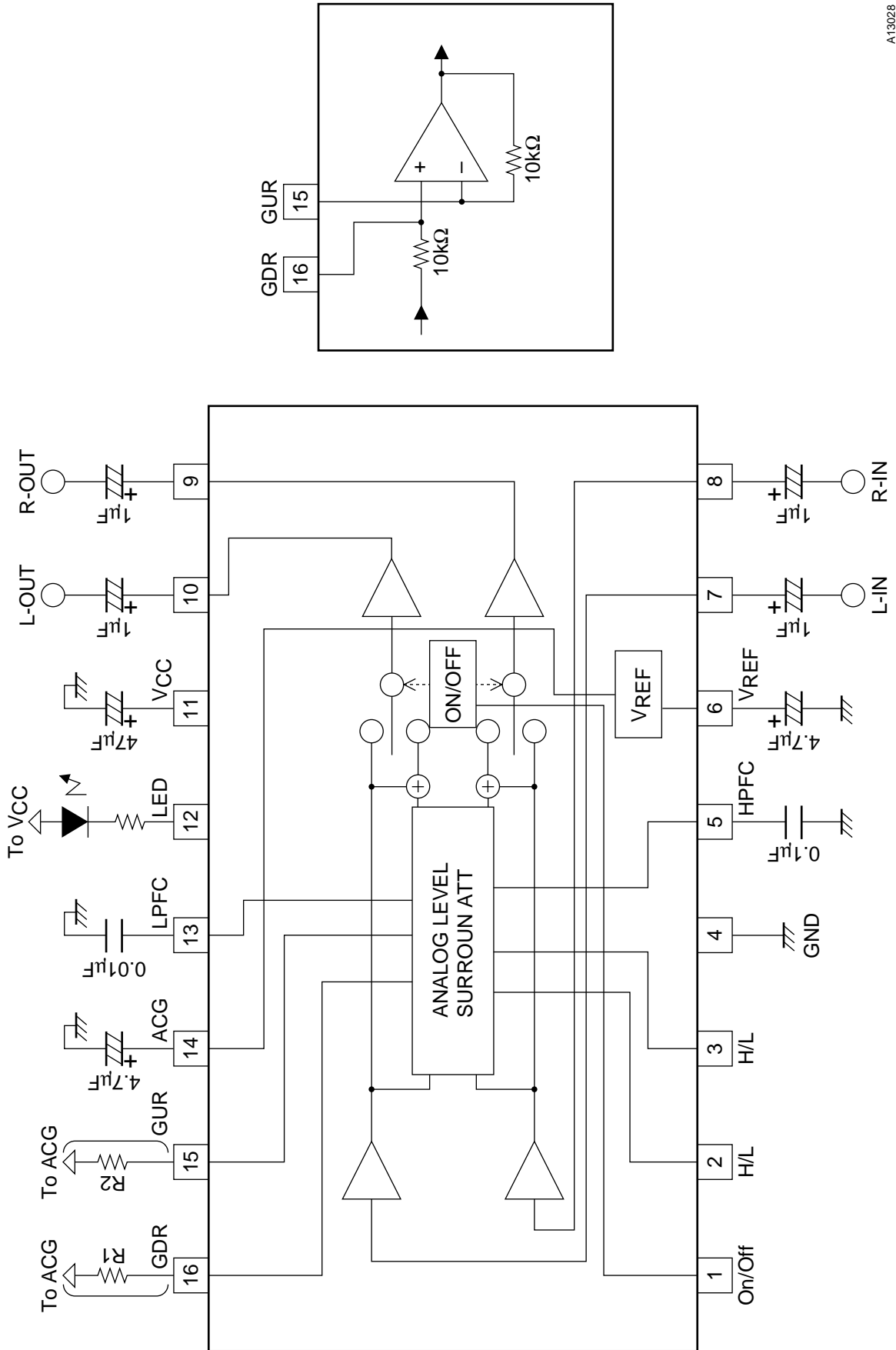
- The surround effect is increased by connecting an external resistor to pin 15.
- The surround effect is decreased by connecting an external resistor to pin 16.
- The device may be used with no external resistors on pins 15 and 16.

The level of the surround effect is controlled by pins 1 to 3.

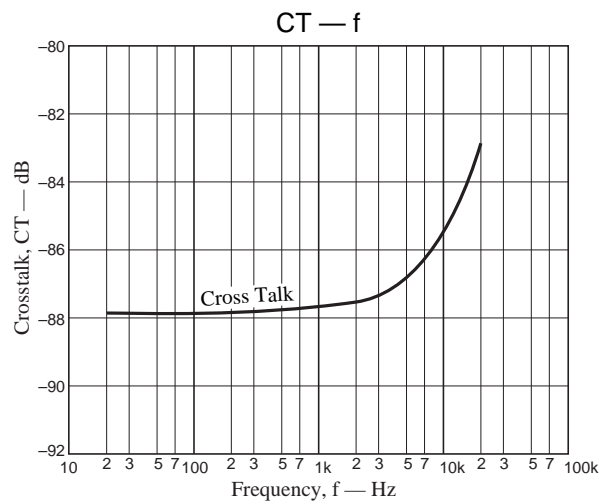
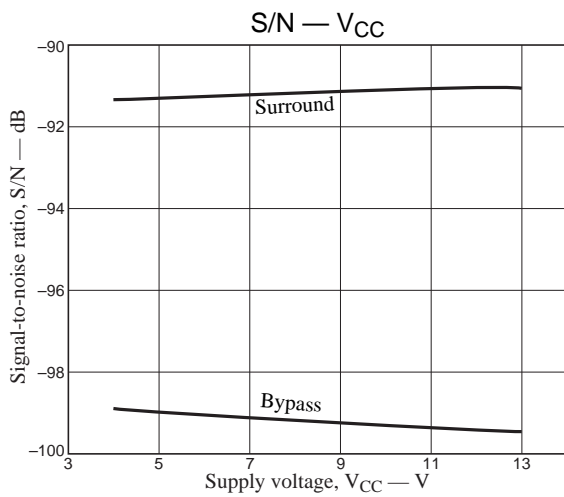
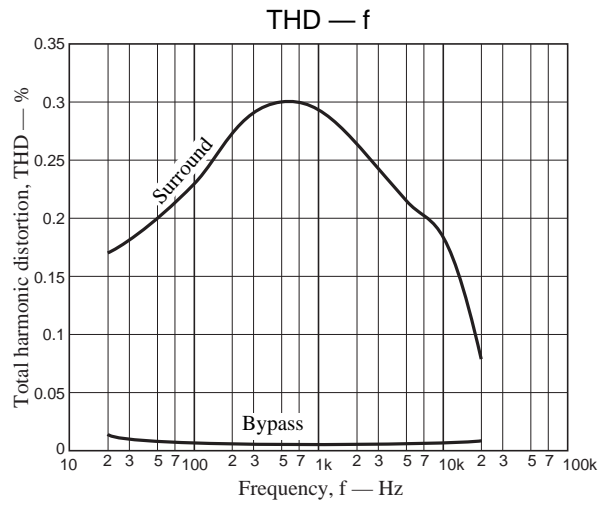
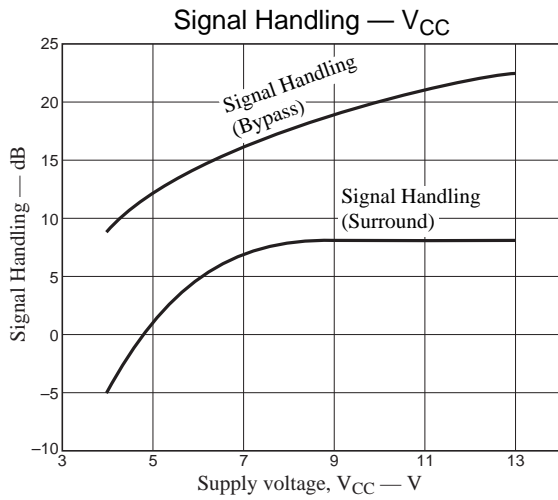
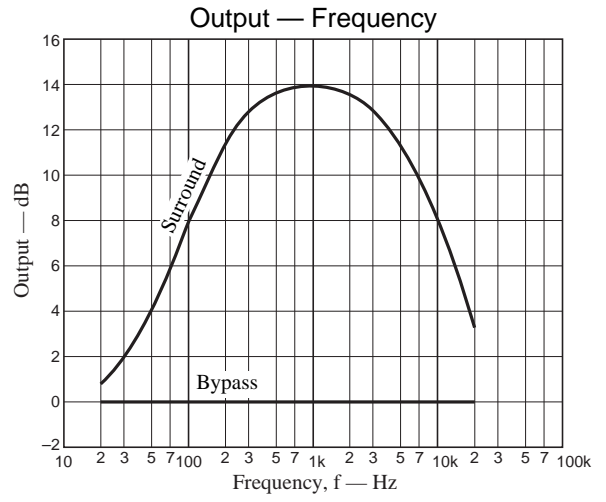
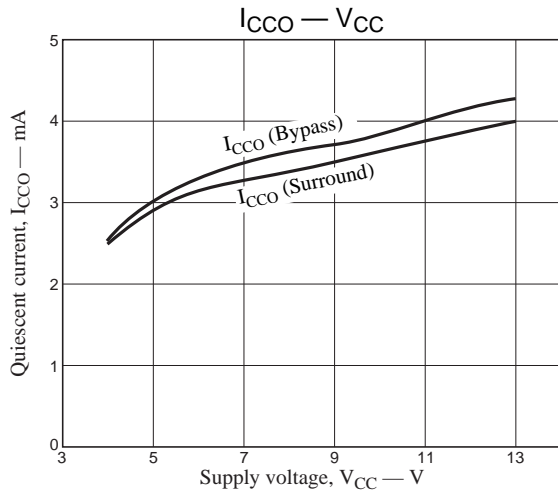
Pin 1	Pin 2	Pin 3	Effect
Low	Low	Low	Maximum
	High	Low	Midiam
	Low	High	Minimum
High	Bypass		

Note*: For the high level, a potential over 3 V and under V_{CC} must be used.

Block Diagram



A13028



- Specifications of any and all SANYO products described or contained herein stipulate the performance, characteristics, and functions of the described products in the independent state, and are not guarantees of the performance, characteristics, and functions of the described products as mounted in the customer's products or equipment. To verify symptoms and states that cannot be evaluated in an independent device, the customer should always evaluate and test devices mounted in the customer's products or equipment.
- SANYO Electric Co., Ltd. strives to supply high-quality high-reliability products. However, any and all semiconductor products fail with some probability. It is possible that these probabilistic failures could give rise to accidents or events that could endanger human lives, that could give rise to smoke or fire, or that could cause damage to other property. When designing equipment, adopt safety measures so that these kinds of accidents or events cannot occur. Such measures include but are not limited to protective circuits and error prevention circuits for safe design, redundant design, and structural design.
- In the event that any or all SANYO products (including technical data, services) described or contained herein are controlled under any of applicable local export control laws and regulations, such products must not be exported without obtaining the export license from the authorities concerned in accordance with the above law.
- No part of this publication may be reproduced or transmitted in any form or by any means, electronic or mechanical, including photocopying and recording, or any information storage or retrieval system, or otherwise, without the prior written permission of SANYO Electric Co., Ltd.
- Any and all information described or contained herein are subject to change without notice due to product/technology improvement, etc. When designing equipment, refer to the "Delivery Specification" for the SANYO product that you intend to use.
- Information (including circuit diagrams and circuit parameters) herein is for example only; it is not guaranteed for volume production. SANYO believes information herein is accurate and reliable, but no guarantees are made or implied regarding its use or any infringements of intellectual property rights or other rights of third parties.

This catalog provides information as of April, 2001. Specifications and information herein are subject to change without notice.