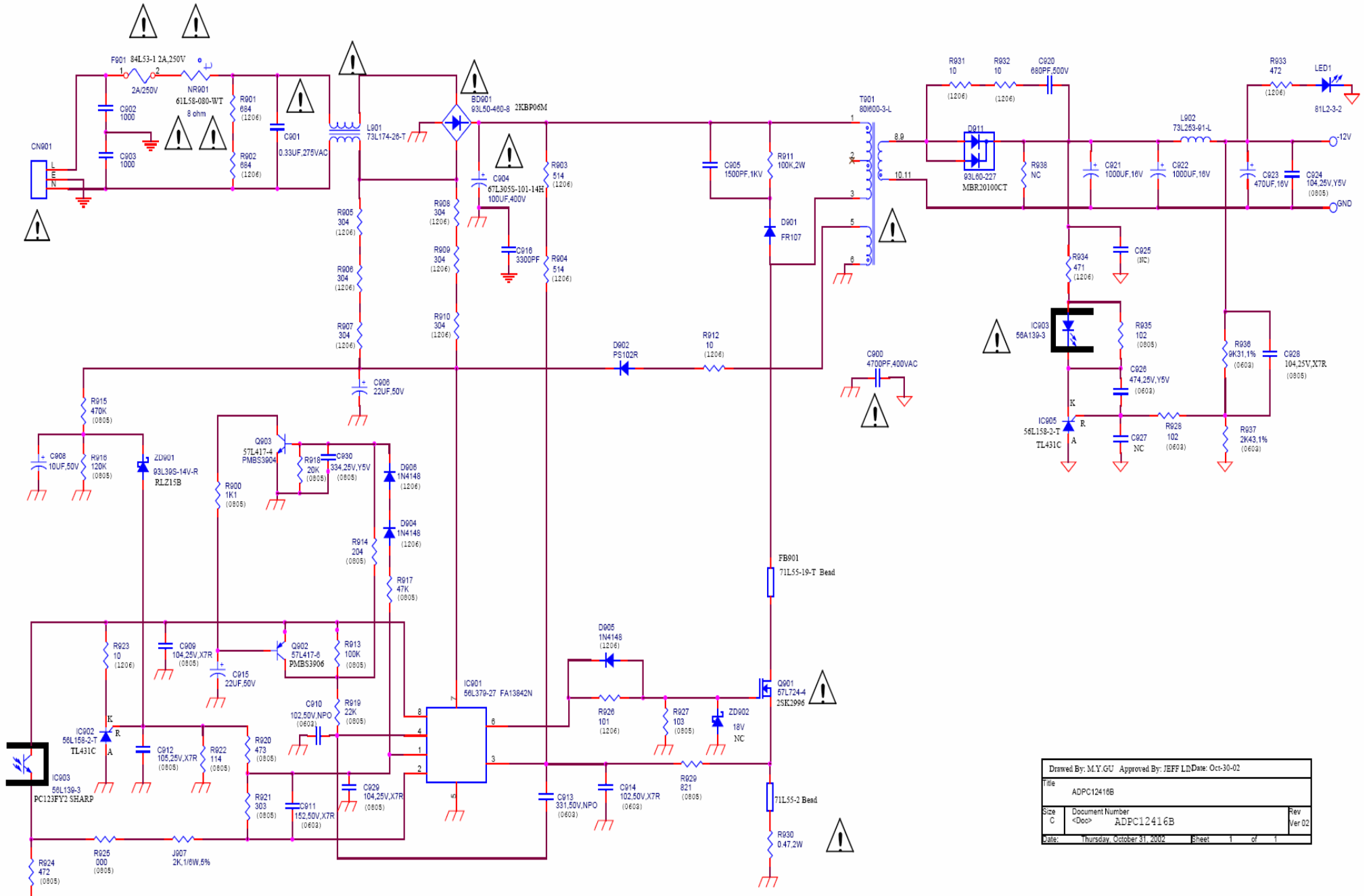


file		
TPV ADAPTER SCHEMATIC		
Size	Document Number	Rev
C	MODEL: ADPC12416A*	
Date	Monday, April 14, 2003	Sheet 1 of 1



Drawn By: M.Y.GU Approved By: JEFF LD Date: Oct-30-02		
Title ADPC12416B		
Size C	Document Number <Doc> ADPC12416B	Rev Ver 02
Date: Thursday, October 31, 2002	Sheet 1	of 1