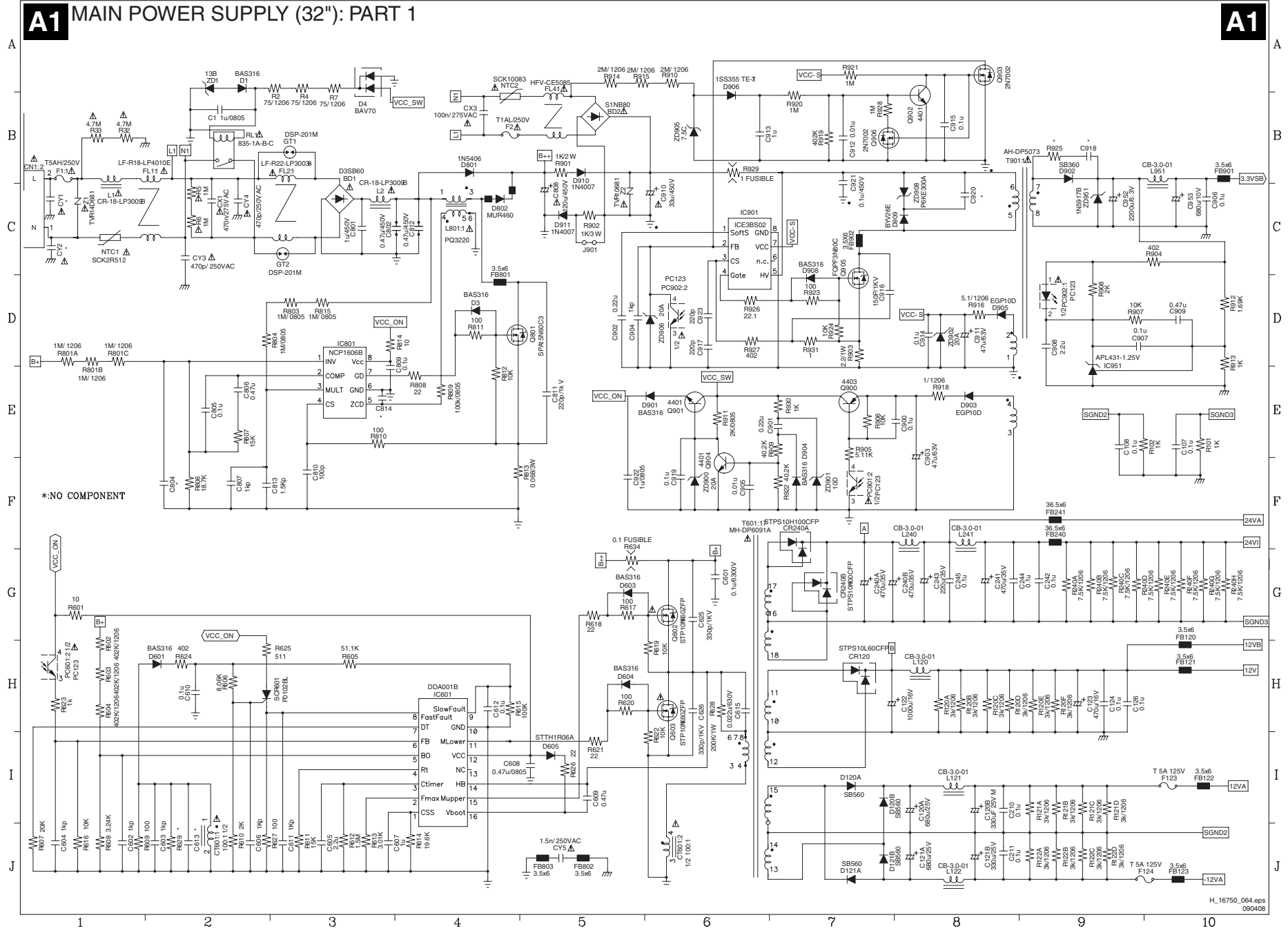


# 7. Circuit Diagrams and PWB Layouts

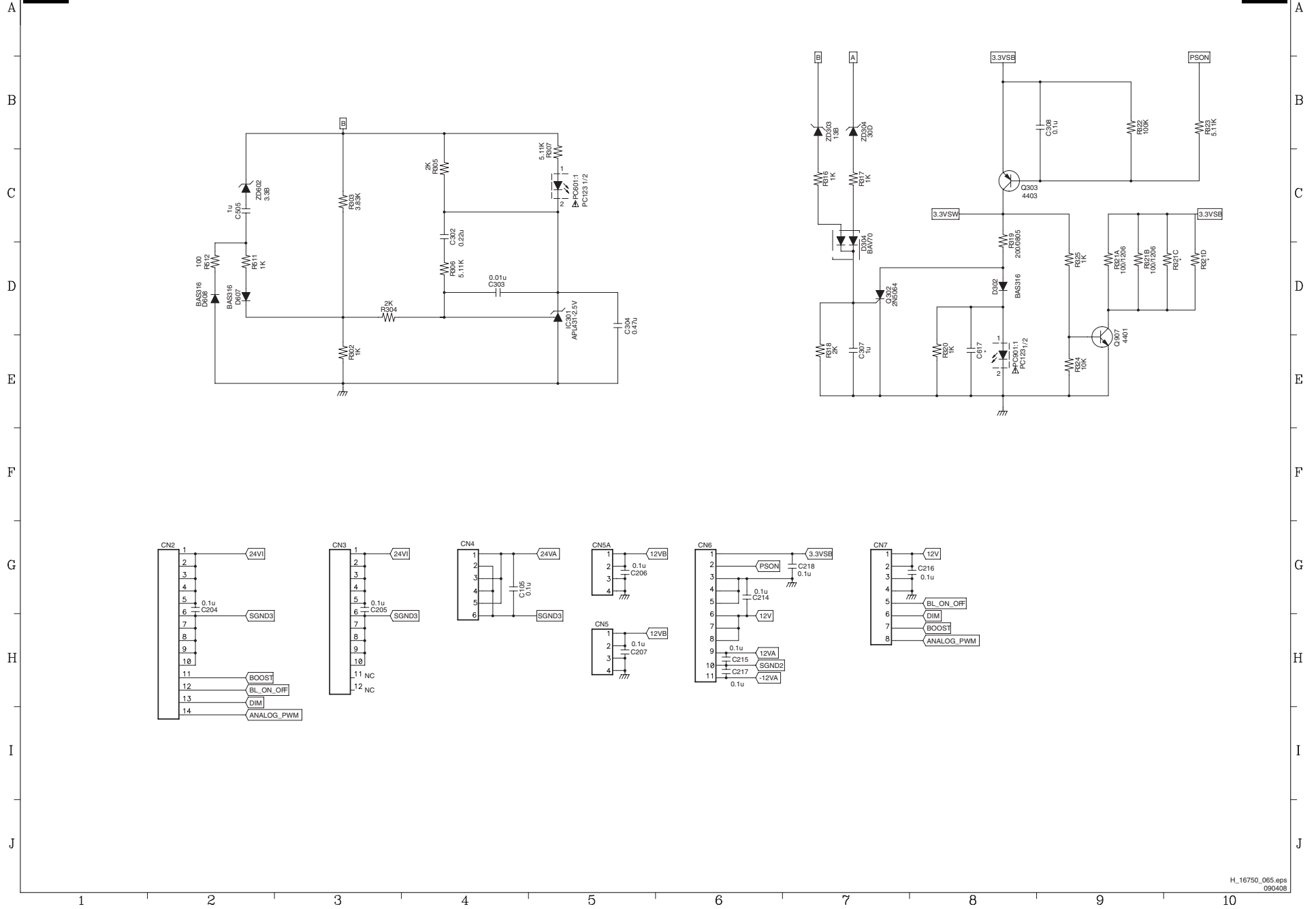
## Display Supply (32"): Part 1



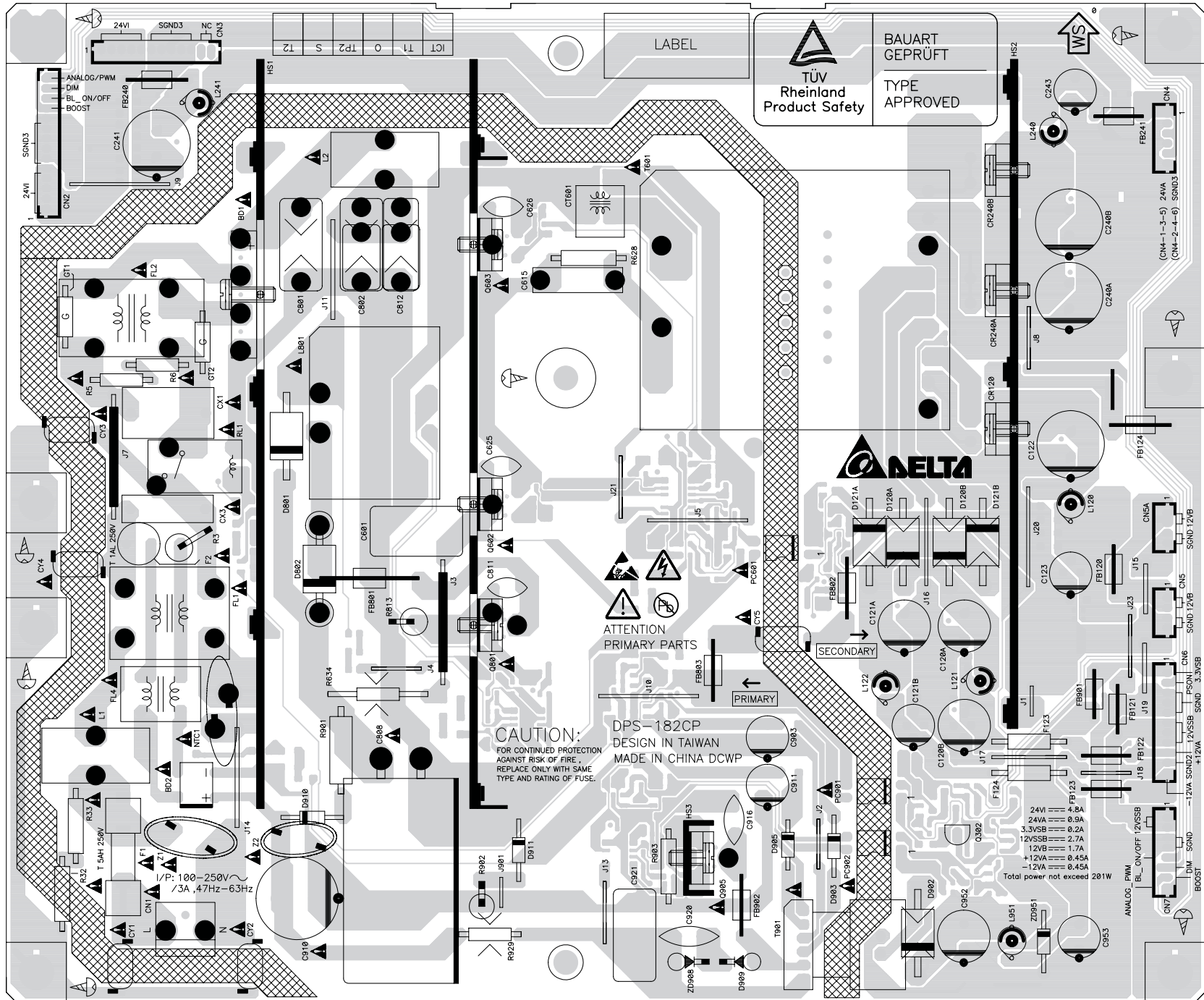
Display Supply (32"): Part 2

**A2** MAIN POWER SUPPLY (32"): PART 2


**A2**



Layout Display Supply Panel (32") (Top Side)



LABEL

  
**TÜV Rheinland**  
 Product Safety  
**BAUART GEPRÜFT**  
 TYPE APPROVED



  
 ATTENTION  
 PRIMARY PARTS

**CAUTION:**  
 FOR CONTINUED PROTECTION  
 AGAINST RISK OF FIRE,  
 REPLACE ONLY WITH SAME  
 TYPE AND RATING OF FUSE.

DPS-182CP  
 DESIGN IN TAIWAN  
 MADE IN CHINA DCWP

24V <sub>I</sub>	4.8A
24V <sub>A</sub>	0.9A
3.3V <sub>SB</sub>	0.2A
12V <sub>SSB</sub>	2.7A
12V <sub>B</sub>	1.7A
+12V <sub>A</sub>	0.45A
-12V <sub>A</sub>	0.45A
Total power not exceed 201W	

