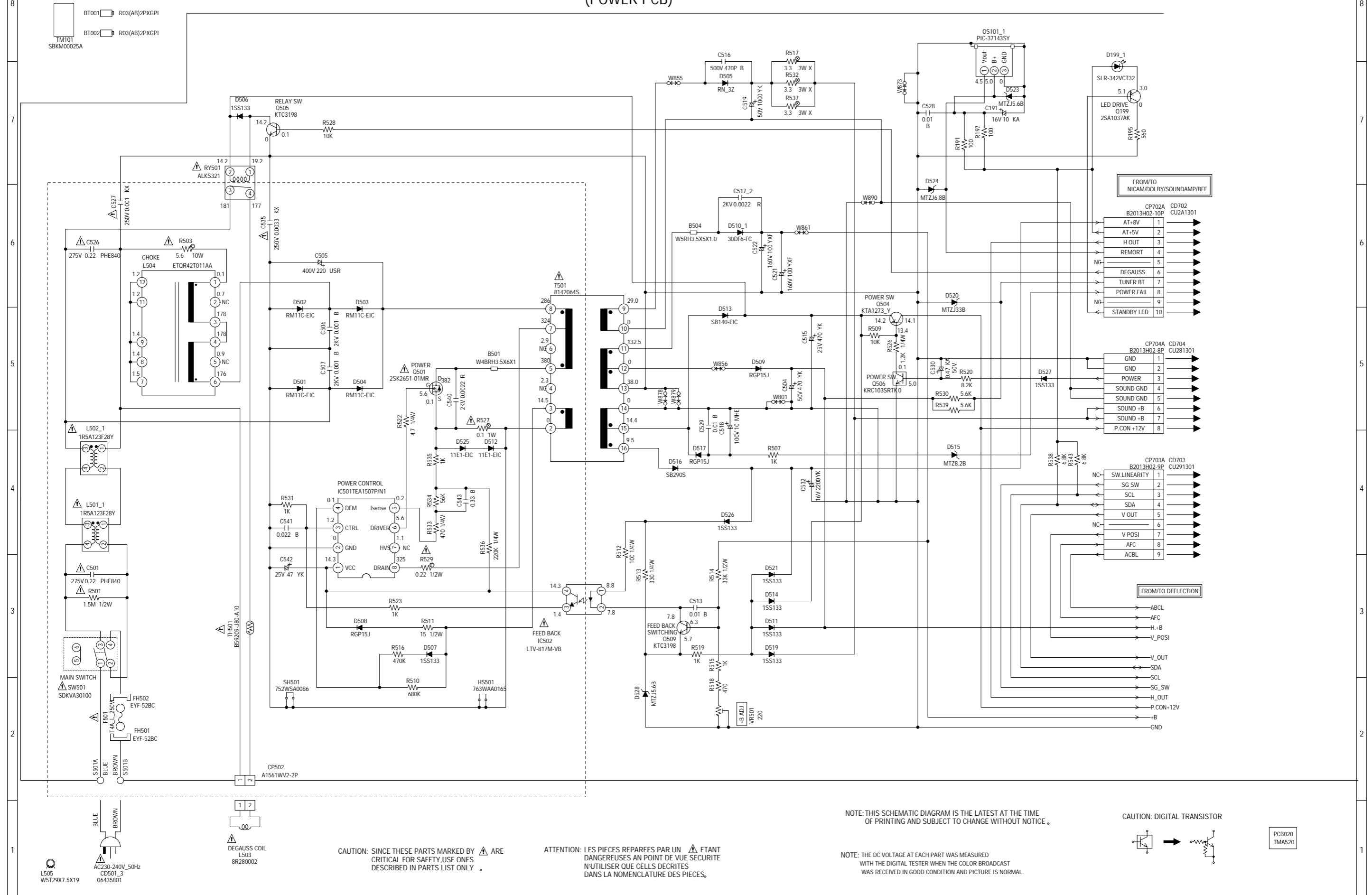


# POWER SCHEMATIC DIAGRAM (POWER PCB)



BT001 R03(AB)2PXGPI  
BT002 R03(AB)2PXGPI  
TM101 SBKM00025A

L505 W5T29X7.5X19  
AC230-240V 50Hz  
CD501\_3 06435801

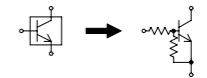
CAUTION: SINCE THESE PARTS MARKED BY ARE CRITICAL FOR SAFETY, USE ONES DESCRIBED IN PARTS LIST ONLY.

ATTENTION: LES PIÈCES RÉPARÉES PAR UN ÉTANT DANGEREUSES AN POINT DE VUE SECURITE N'UTILISER QUE CELLS DECRITES DANS LA NOMENCLATURE DES PIÈCES.

NOTE: THIS SCHEMATIC DIAGRAM IS THE LATEST AT THE TIME OF PRINTING AND SUBJECT TO CHANGE WITHOUT NOTICE.

NOTE: THE DC VOLTAGE AT EACH PART WAS MEASURED WITH THE DIGITAL TESTER WHEN THE COLOR BROADCAST WAS RECEIVED IN GOOD CONDITION AND PICTURE IS NORMAL.

CAUTION: DIGITAL TRANSISTOR



PCB020 TMA520

FROM/TO NICAM/DOLBY/SOUNDAMP/BEE

CP702A B2013H02-10P	CD702 CU2A1301
AT+8V	1
AT+5V	2
H OUT	3
REMORT	4
NG	5
DEGAUSS	6
TUNER BT	7
POWER.FAIL	8
NG	9
STANDBY LED	10

CP704A B2013H02-8P

CD704 CU281301	
GND	1
GND	2
POWER	3
SOUND GND	4
SOUND GND	5
SOUND +B	6
SOUND +B	7
P.CON +12V	8

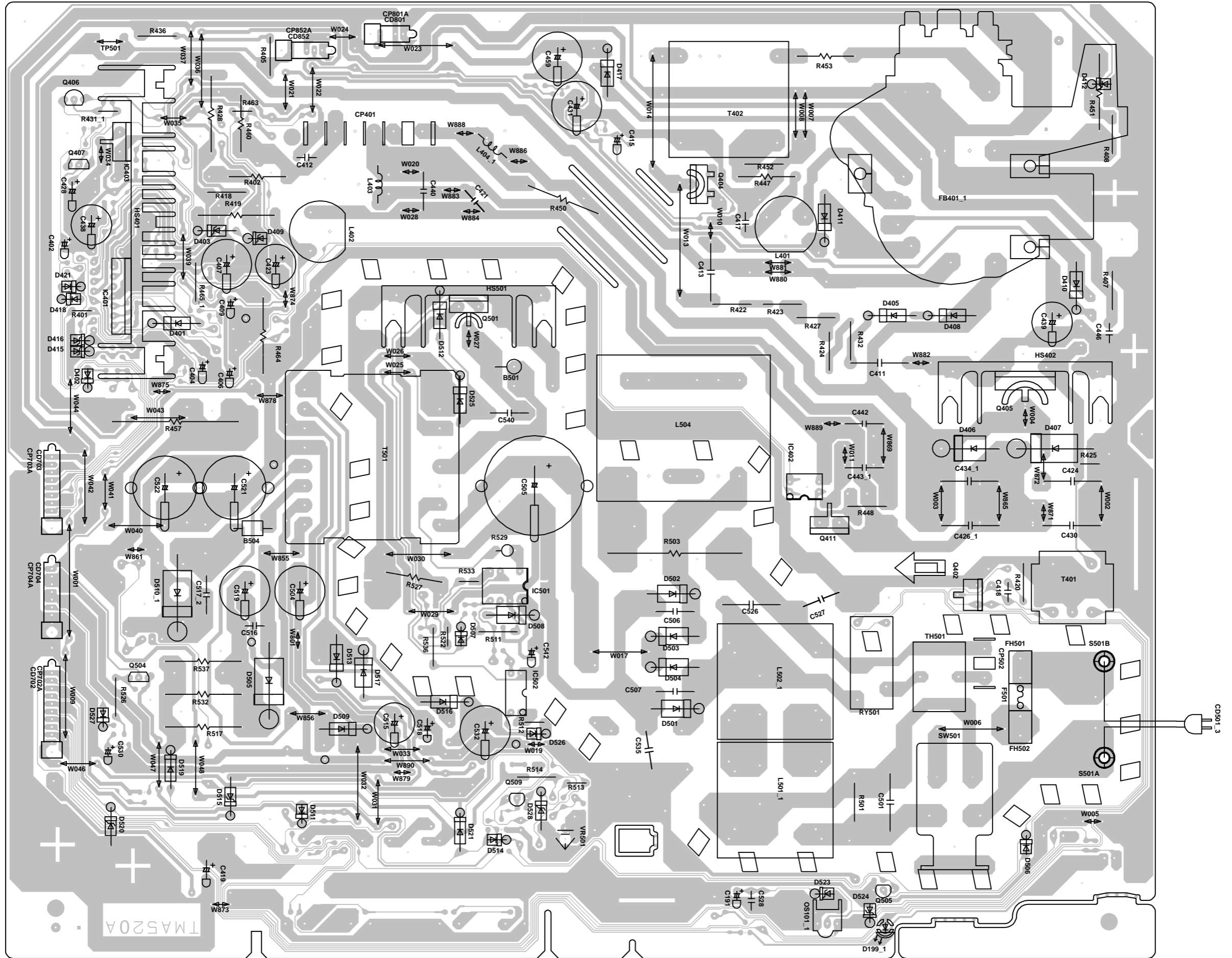
CP703A B2013H02-9P

CD703 CU291301	
SW.LINEARITY	1
SG SW	2
SCL	3
SDA	4
V OUT	5
NC	6
V POSI	7
AFC	8
ACBL	9

FROM/TO DEFLECTION

ABCL
AFC
H+B
V_POSI
V_OUT
SDA
SCL
SG_SW
H_OUT
P.CON+12V
+B
GND

PRINTED CIRCUIT BOARDS  
POWER (INSERTED PARTS)  
SOLDER SIDE



PRINTED CIRCUIT BOARDS  
POWER (CHIP MOUNTED PARTS)  
SOLDER SIDE

